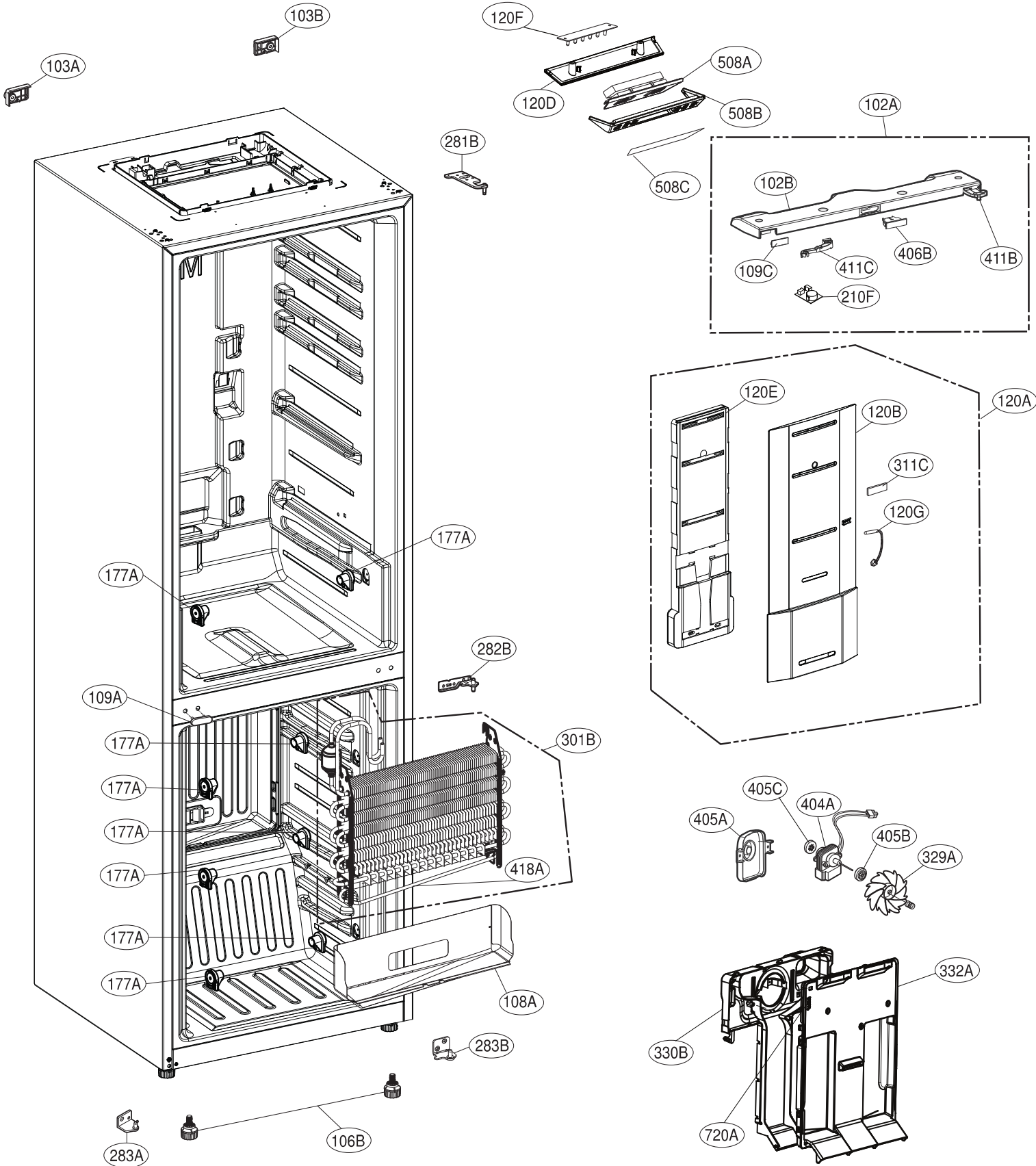


# EXPLODED VIEW

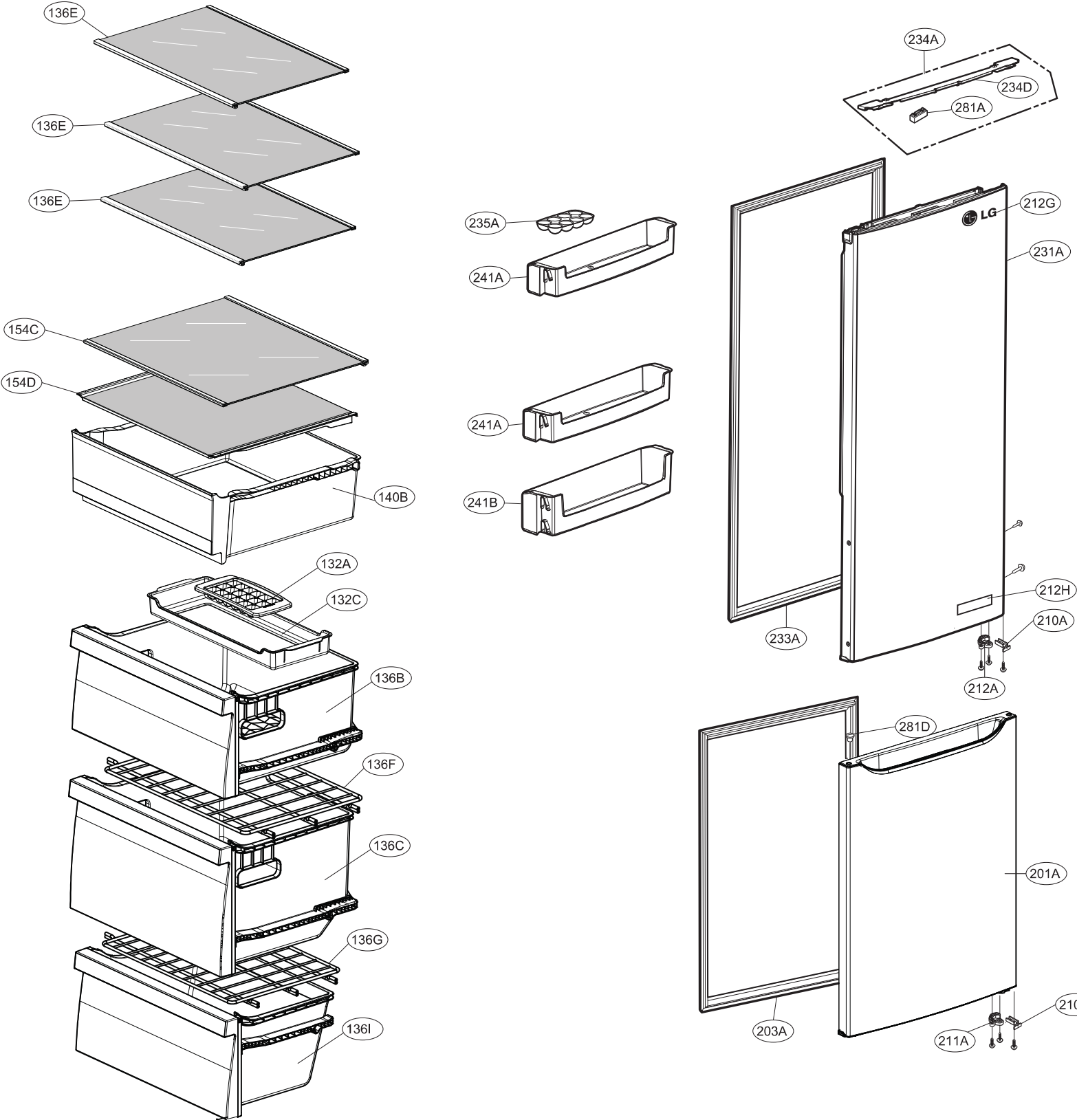
Ref. No : GB\*59\*\*JZ



► The parts of refrigerator and the shape of each part are subject to change in different localities.

# EXPLODED VIEW

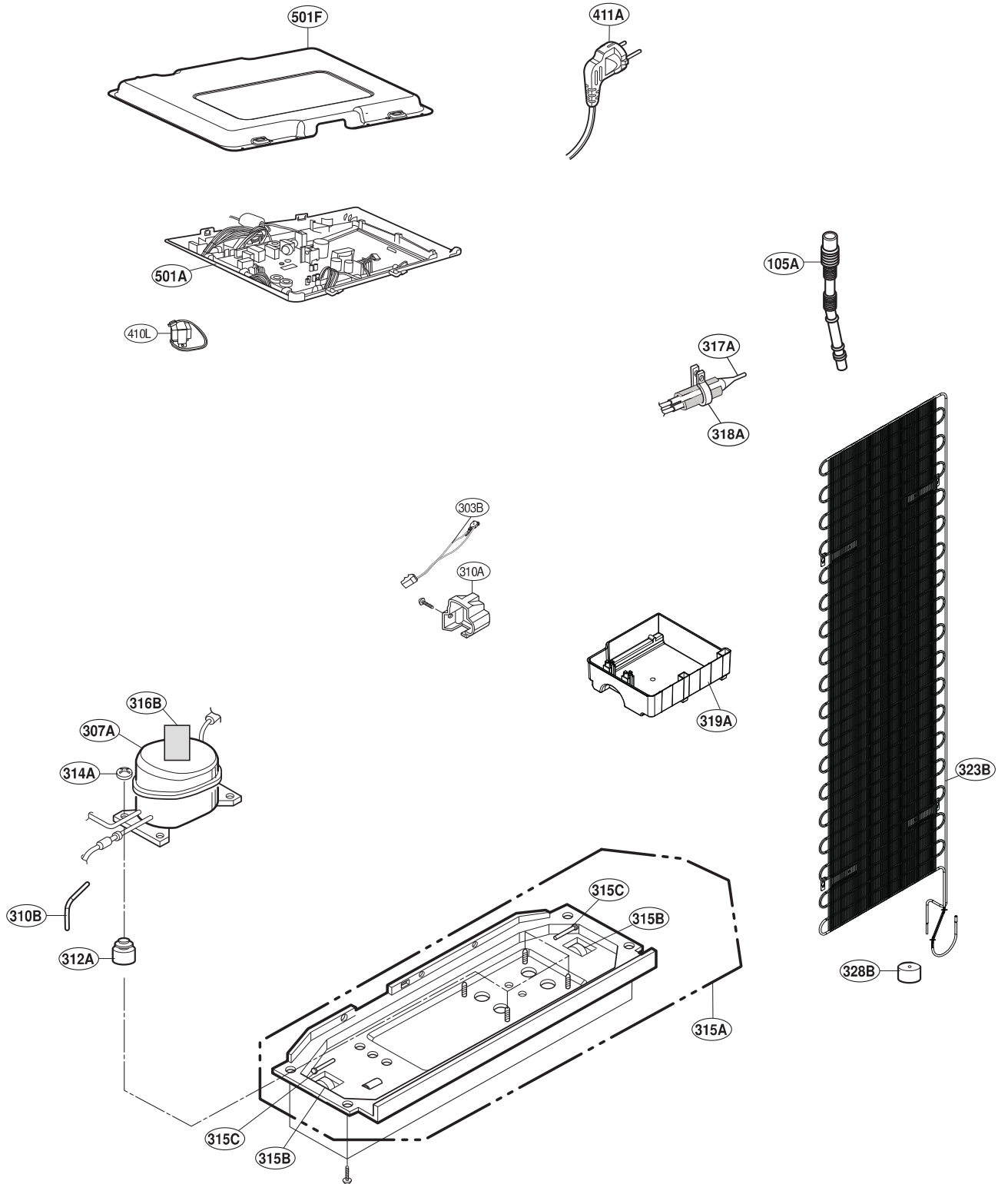
Ref. No : GBB59\*\*JZS



► The parts of refrigerator and the shape of each part are subject to change in different localities.

# EXPLODED VIEW

Ref. No: GBB59\*\*\*Z\*



► The parts of refrigerator and the shape of each part are subject to change in different localities.