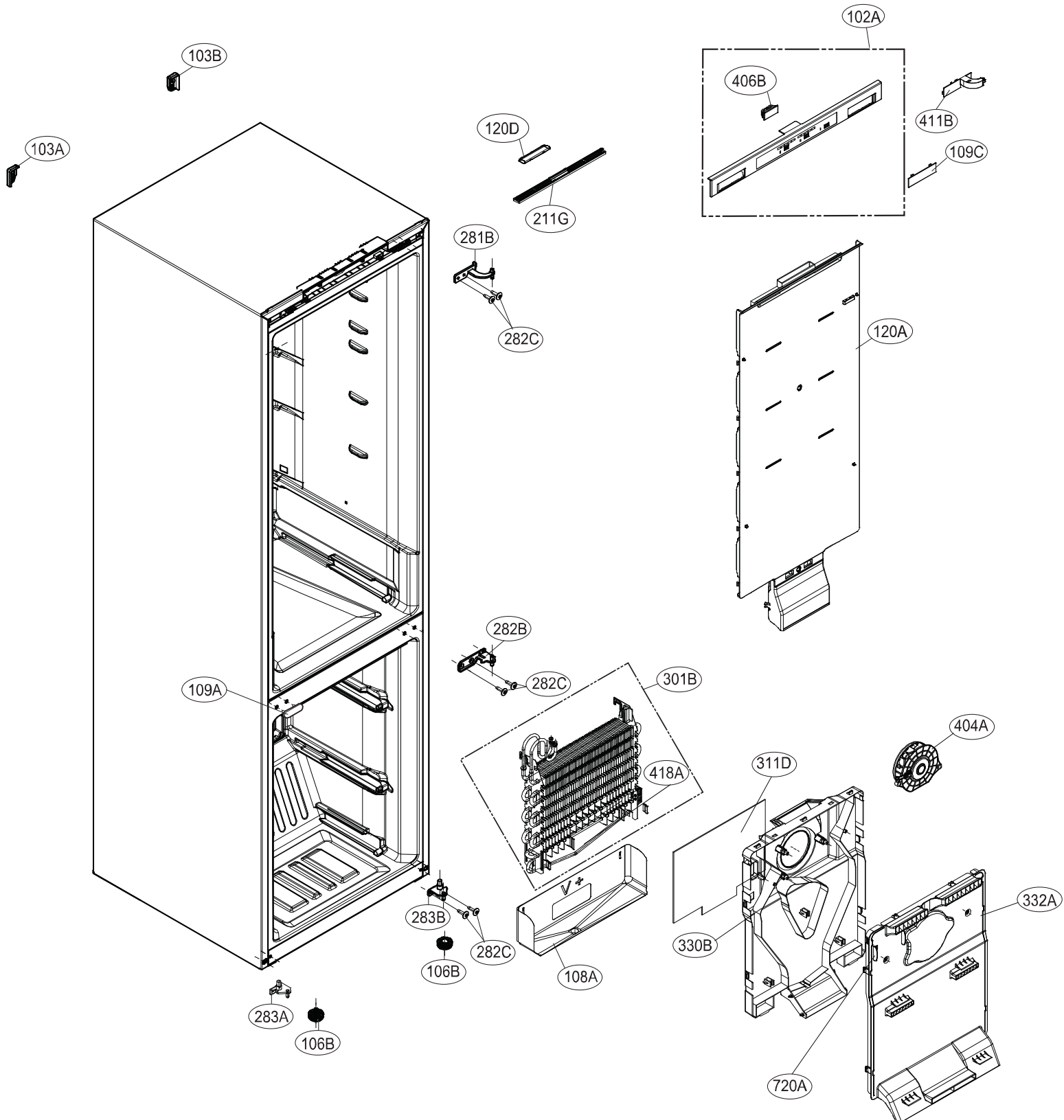


# EXPLODED VIEW

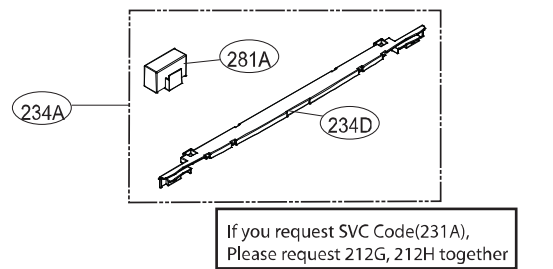
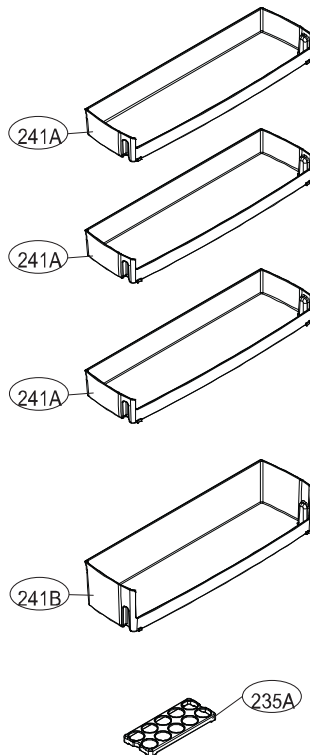
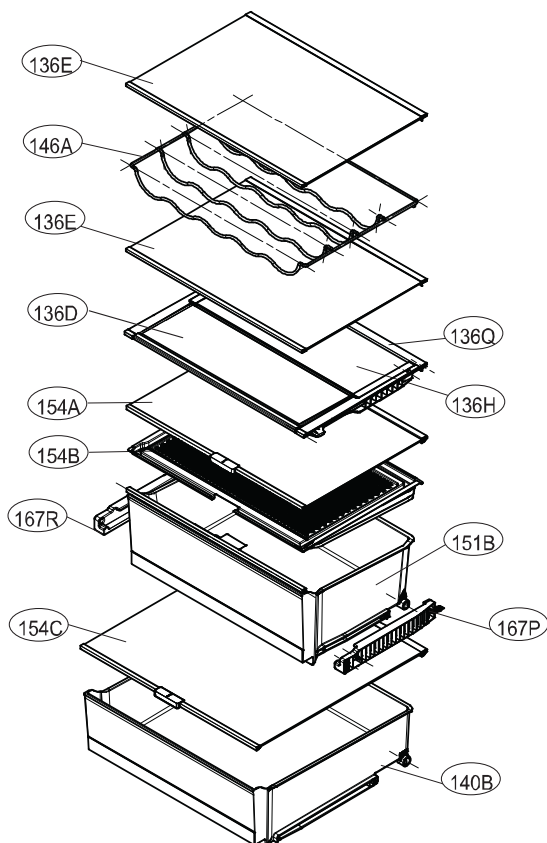
Ref. No : GBØ2\*\*EFN



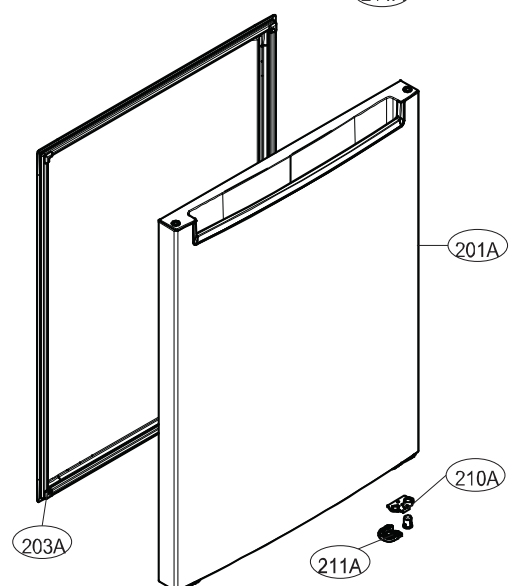
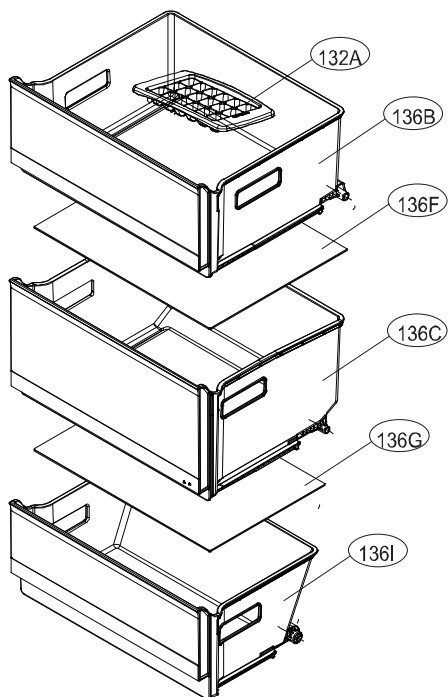
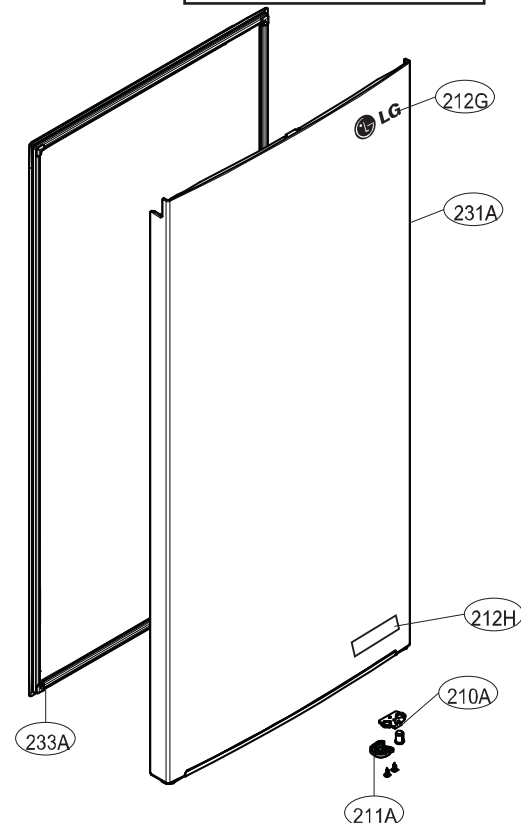
► The parts of refrigerator and the shape of each part are subject to change in different localities.

# EXPLODED VIEW

Ref. No : GBB72\*\*EFN



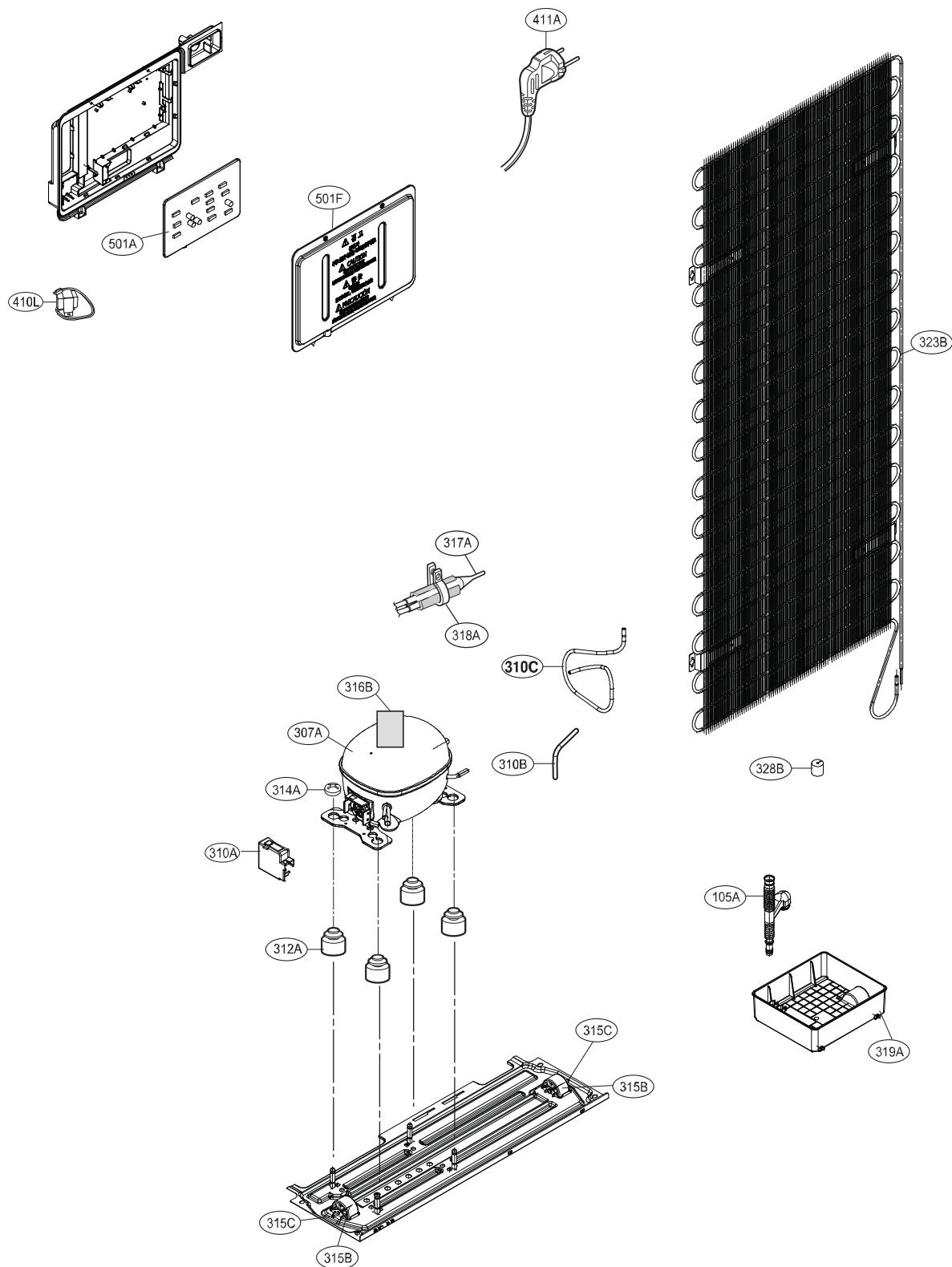
If you request SVC Code(231A),  
Please request 212G, 212H together



► The parts of refrigerator and the shape of each part are subject to change in different localities.

# EXPLODED VIEW

Ref. No: **GBB2\*\*\*FN, GBB72\*\*\*FN**



☒ The parts of refrigerator and the shape of each part are subject to change in different localities.