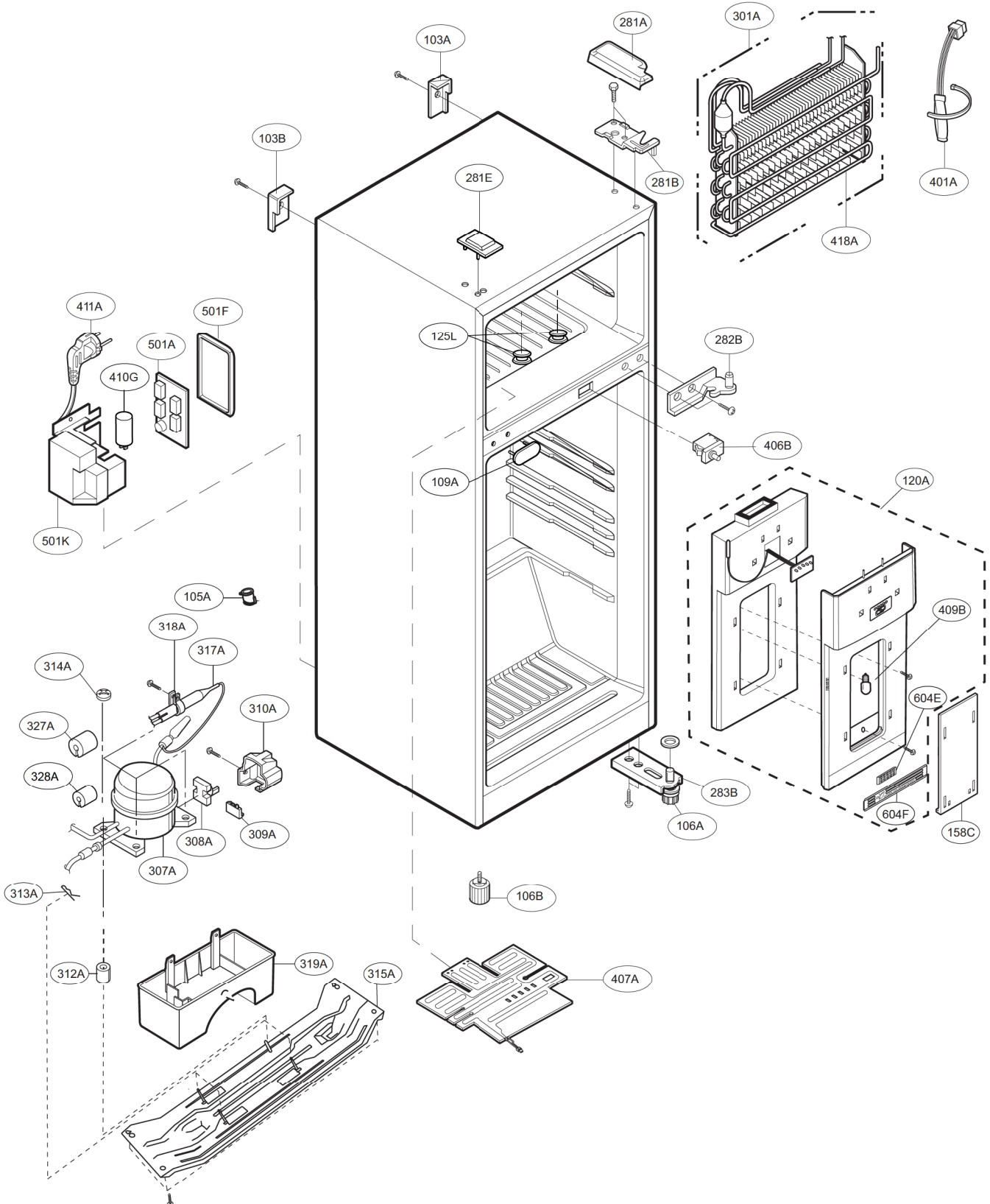


# 7. EXPLODED VIEW

## 7-1 CASE SET ASM (GN-V262,GN-V292)

The parts of refrigerator and the shape of each part are subject to change in different localities.

\*: optional parts



# 7-2 DOOR SET ASM (GN-V262,GN-V292)

\* : optional parts

