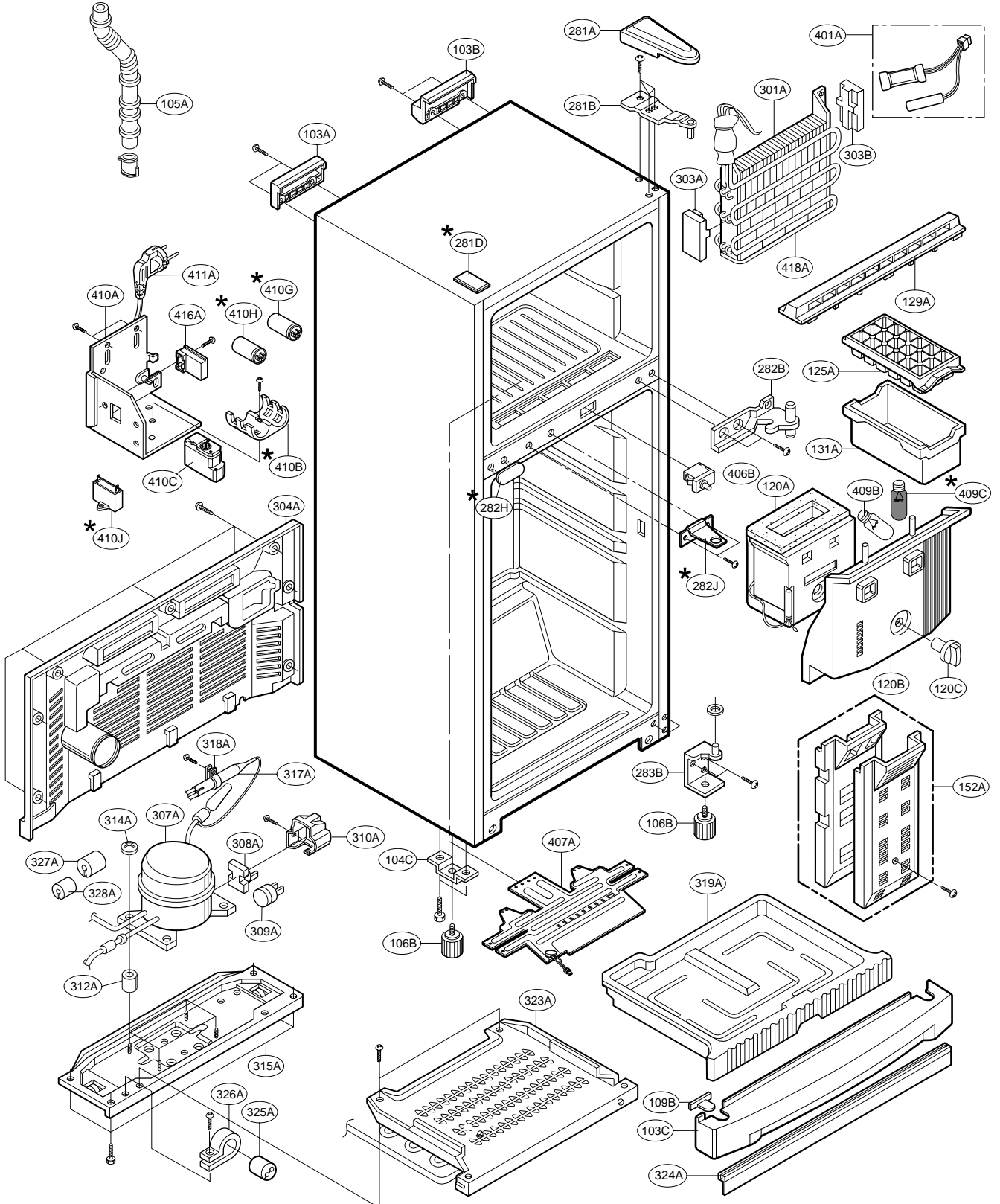


7. EXPLODED VIEW

NOTE: 1. The parts of refrigerator and the shape of each part are subject to change in different localities or model name.

2. * : optional parts

- Steel Shelves : 136A, 136B, 136C, 136D
- Plastic Shelves : 149A, 149B
- Reversible Door : 281D, 282H
- Lock : 282J
- FIR Lamp : 409C, 410J



*: optional parts

