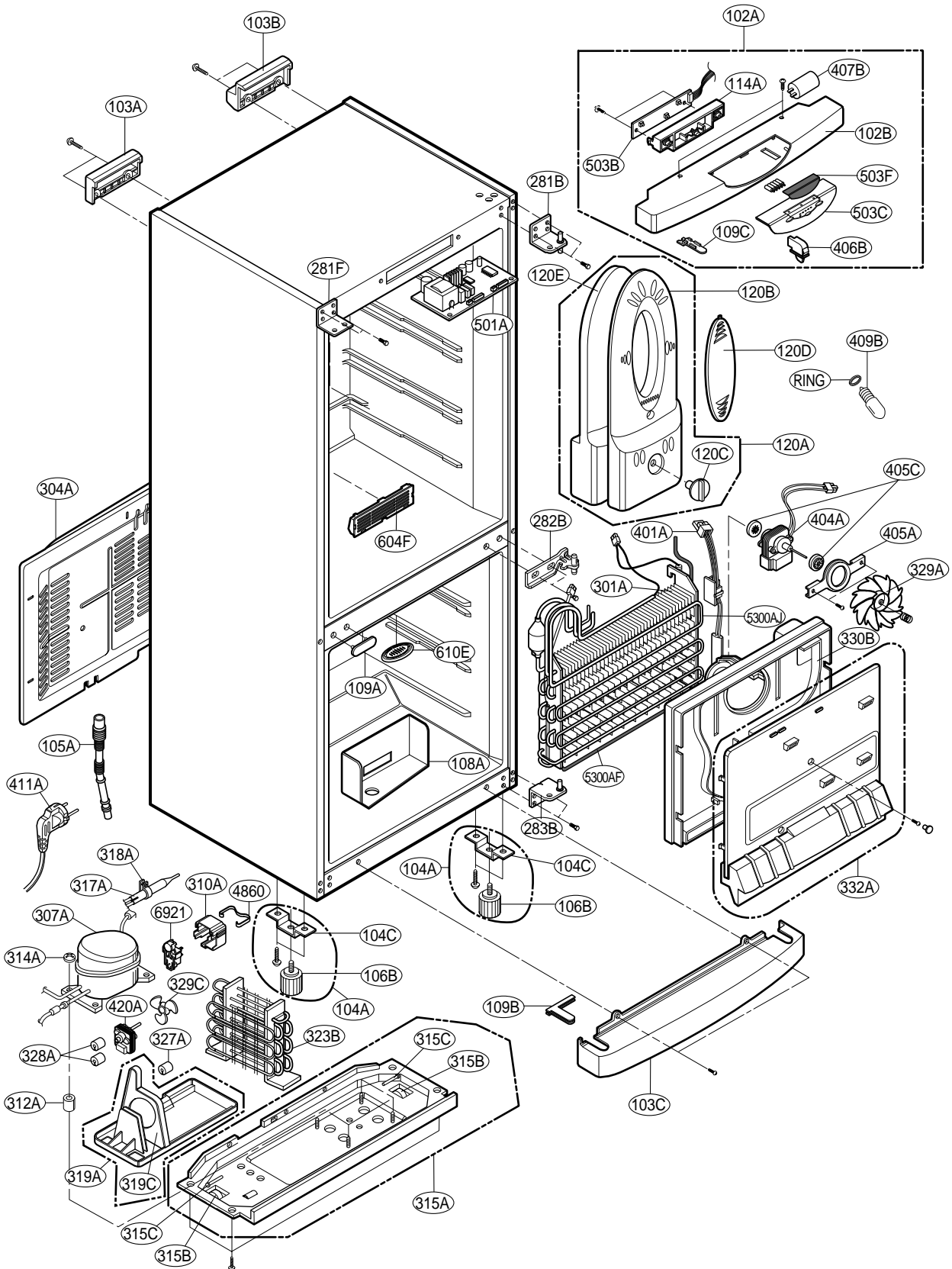
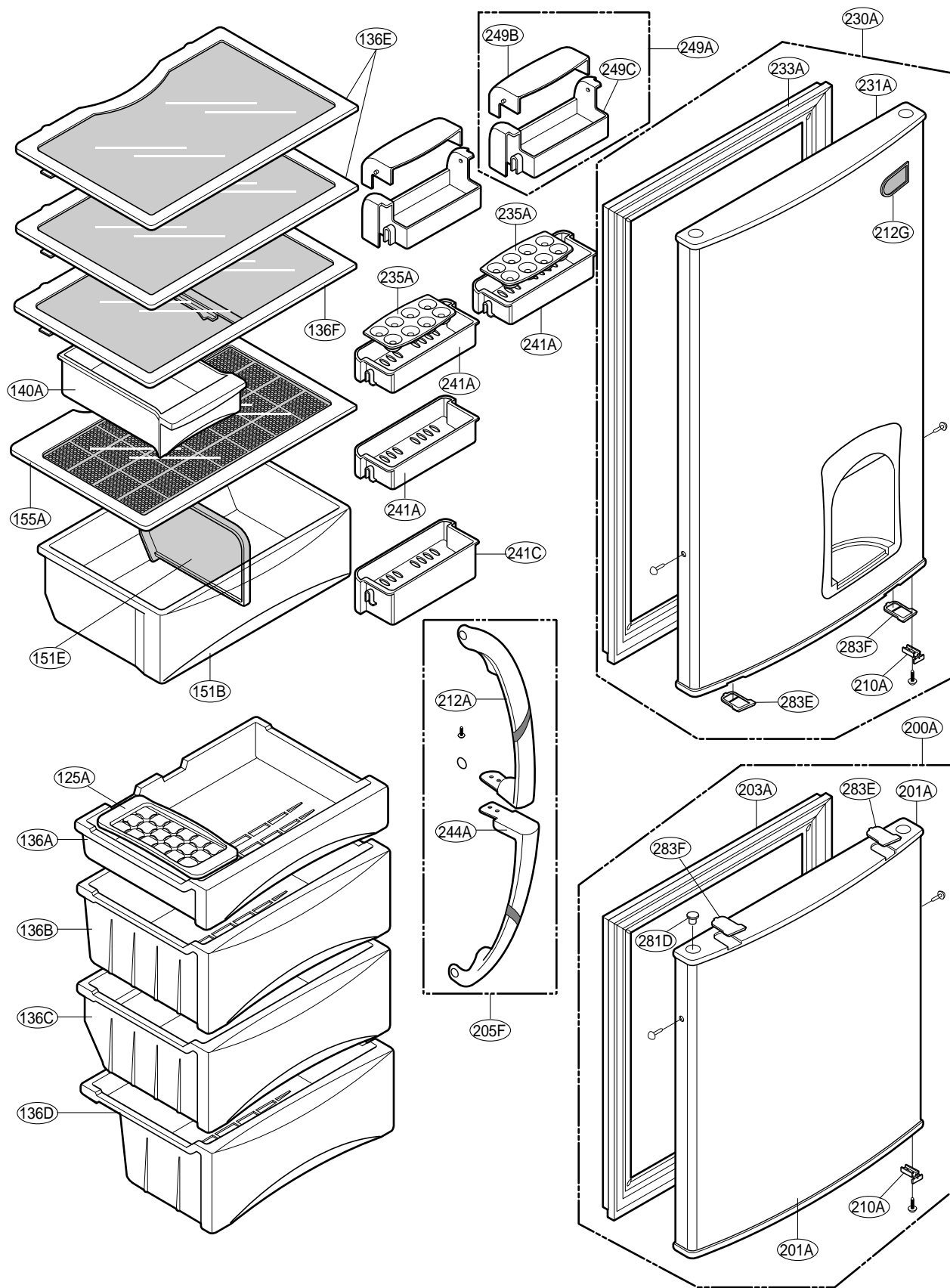


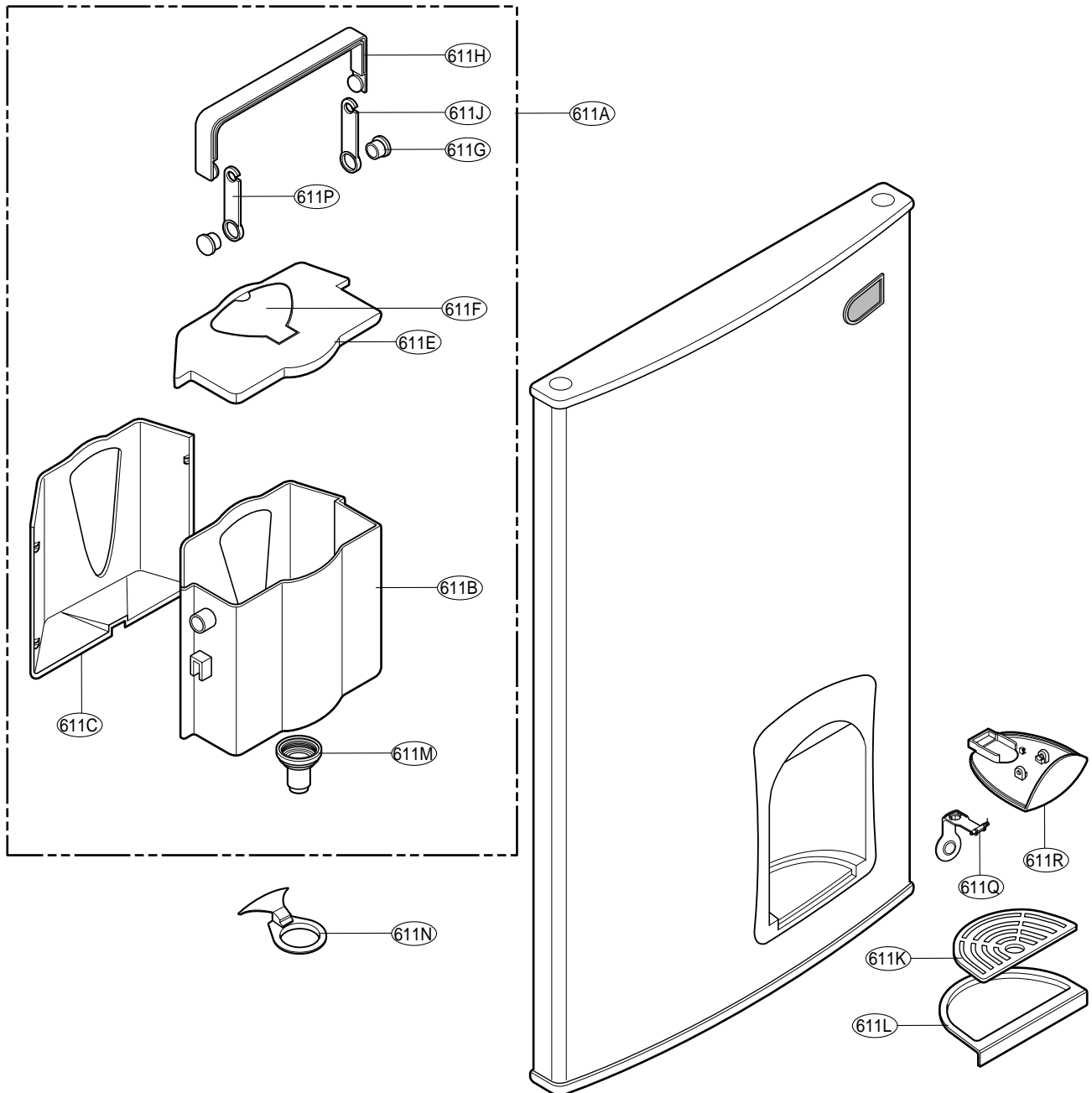
# EXPLODED VIEW & REPLACEMENT PARTS LIST

Ref. No : GR-369/409

▼ The parts of refrigerator and the shape of each part are subject to change in different localities.







Ref. No : GR-409 GQA/GTQA/GVQA/GLQA

