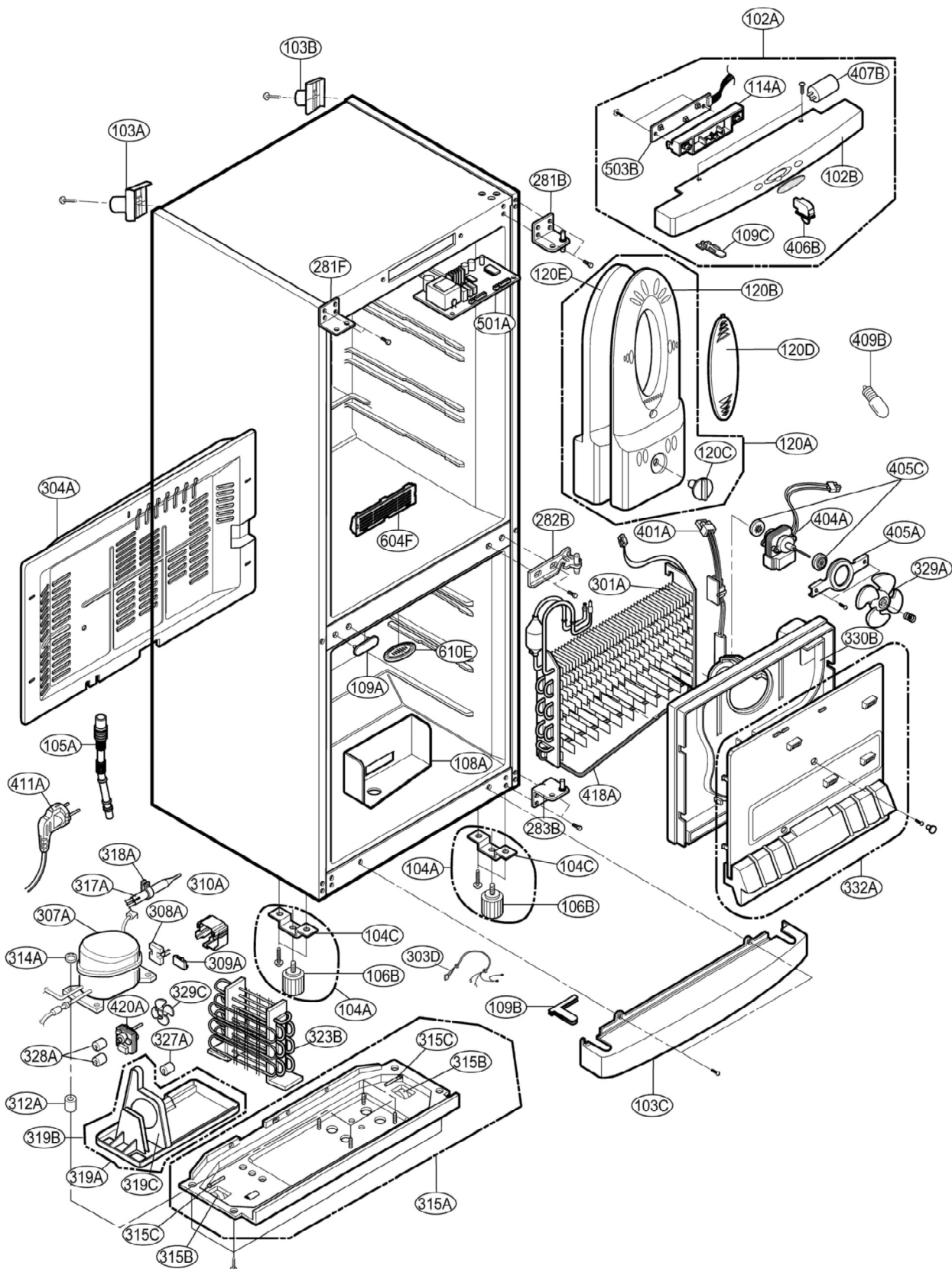


# EXPLODED VIEW & REPLACEMENT PARTS LIST



# EXPLODED VIEW & REPLACEMENT PART LIST

