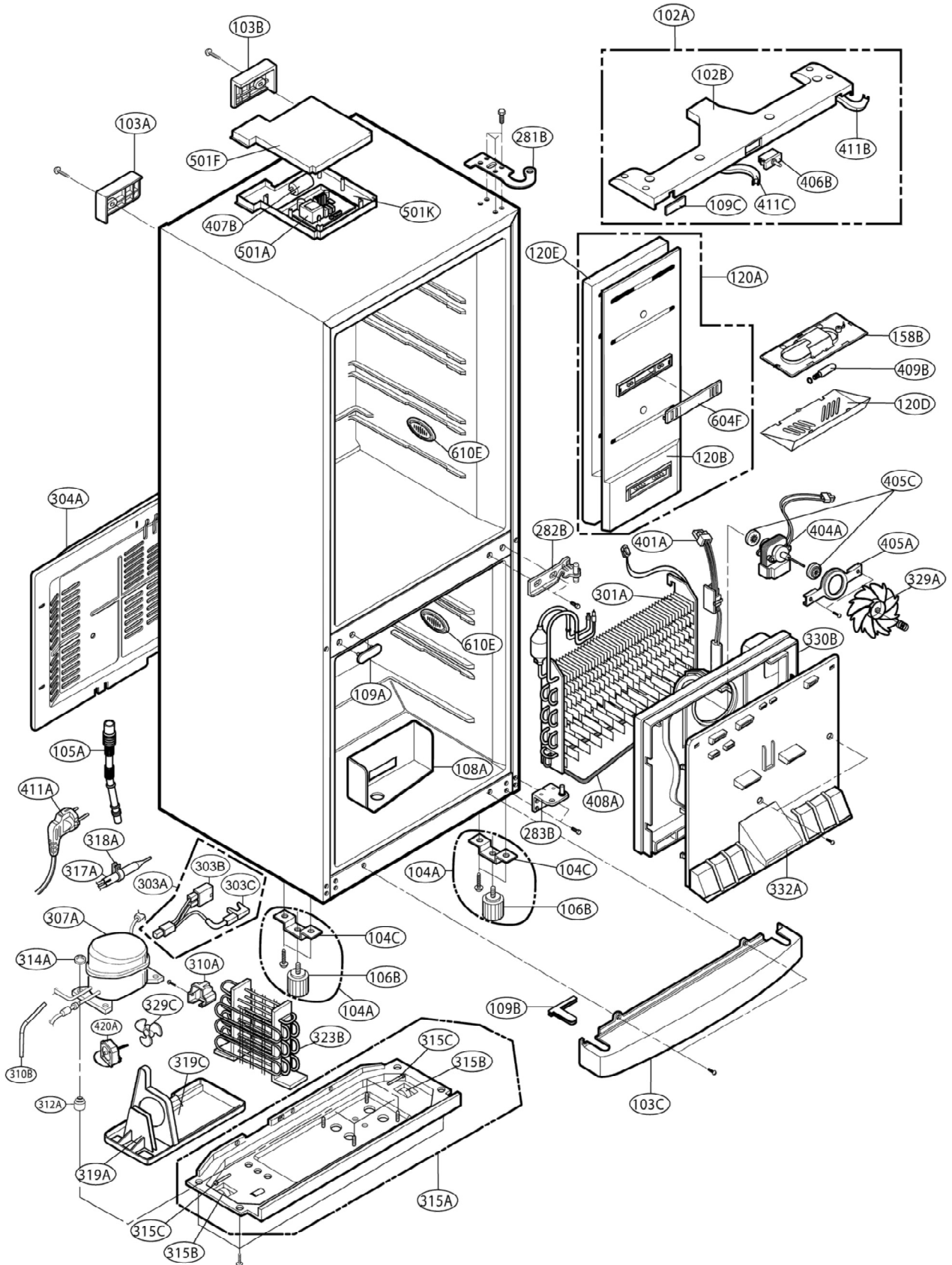


EXPLODED VIEW & REPLACEMENT PARTS LIST

Ref. No : GR-B(F)429/459**K(J,R,Q)

▼ The parts of refrigerator and the shape of each part are subject to change in different localities.



Ref. No: GR-B(F)429/459**R(Q)

