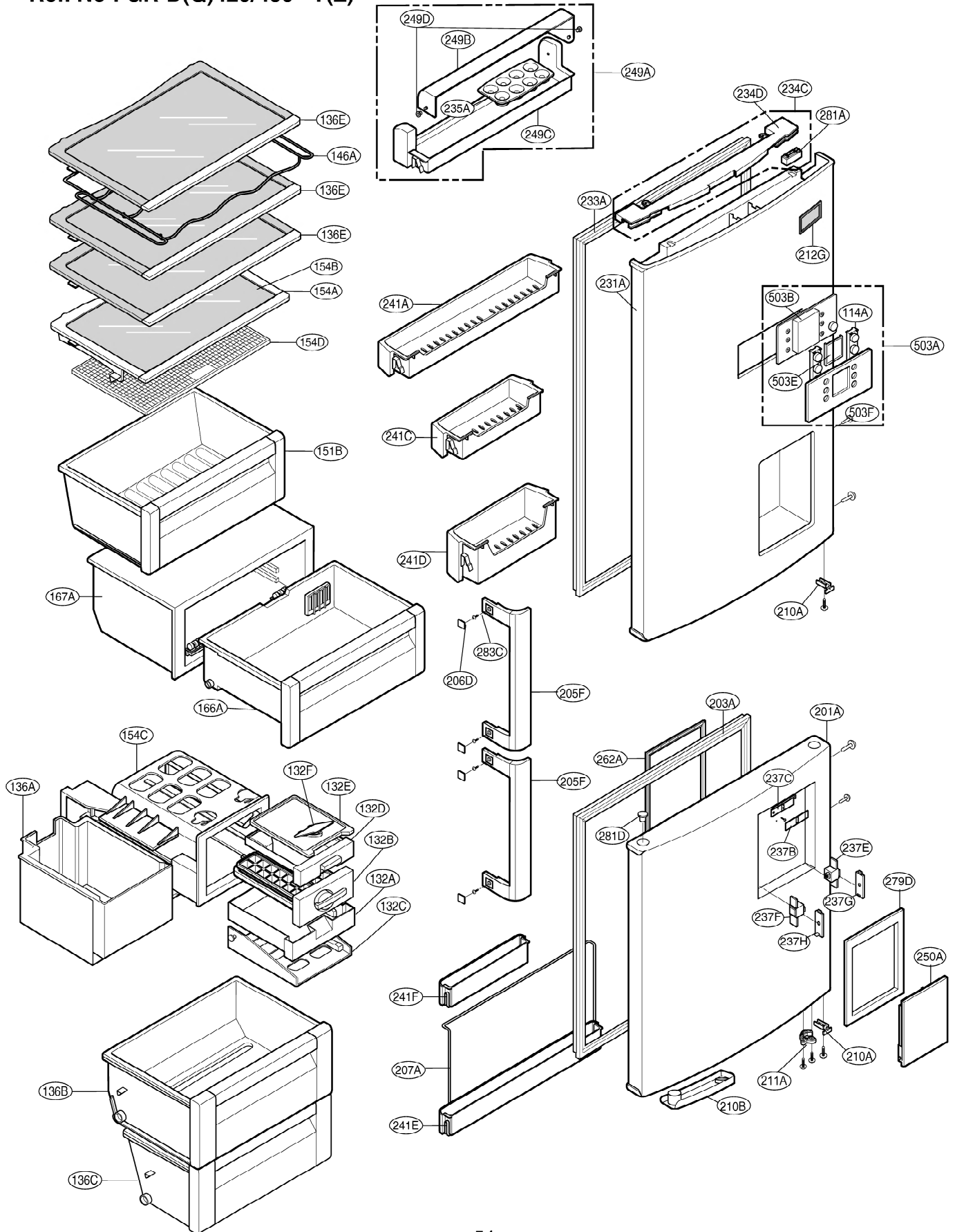




Ref. No : GR-D(Q)429/459\*\*Y(Z)



Ref. No: GR-Q429/459\*\*\*

