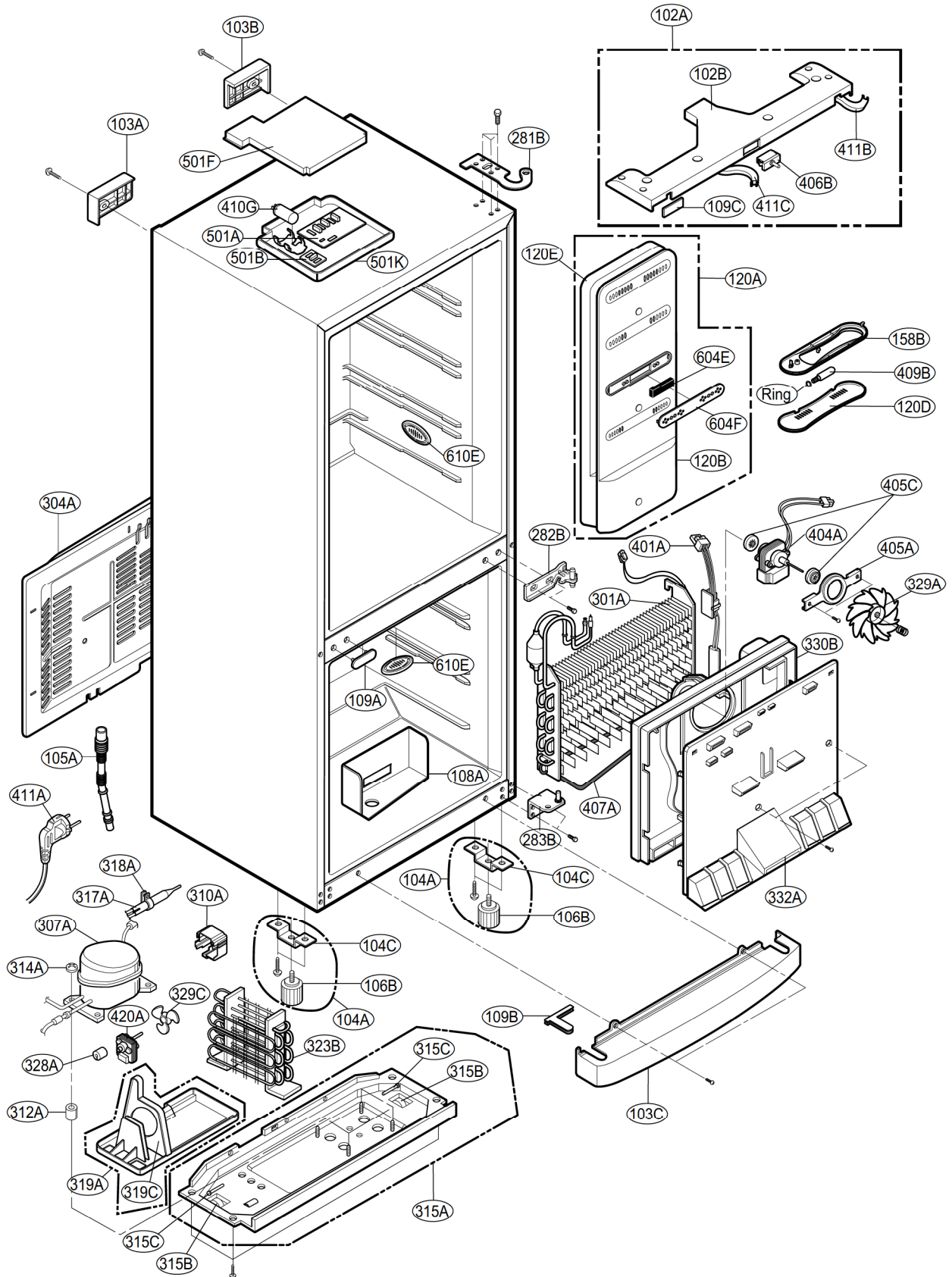


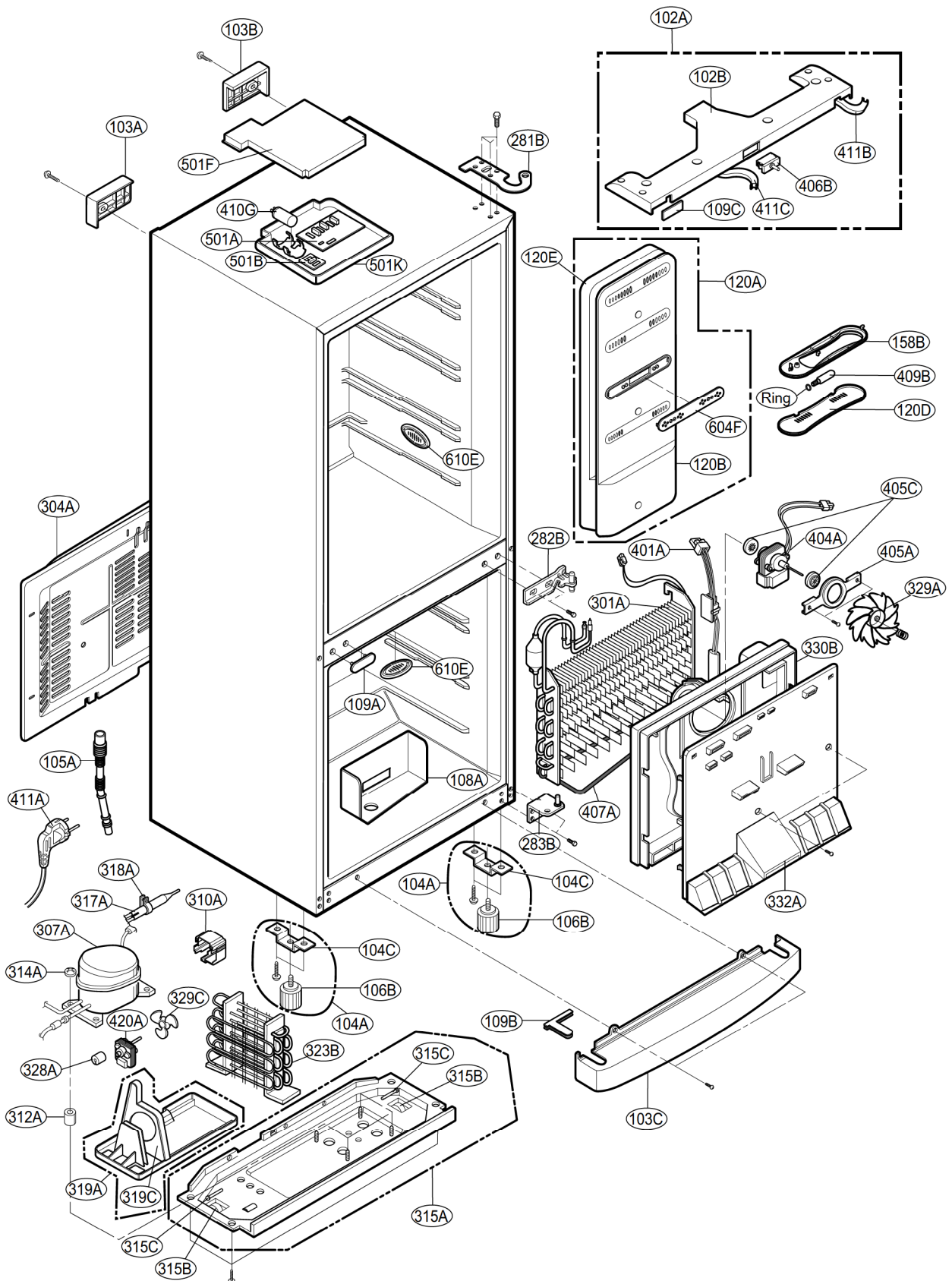
EXPLODED VIEW & REPLACEMENT PARTS LIST

Ref. No : GR-459**K(J)*

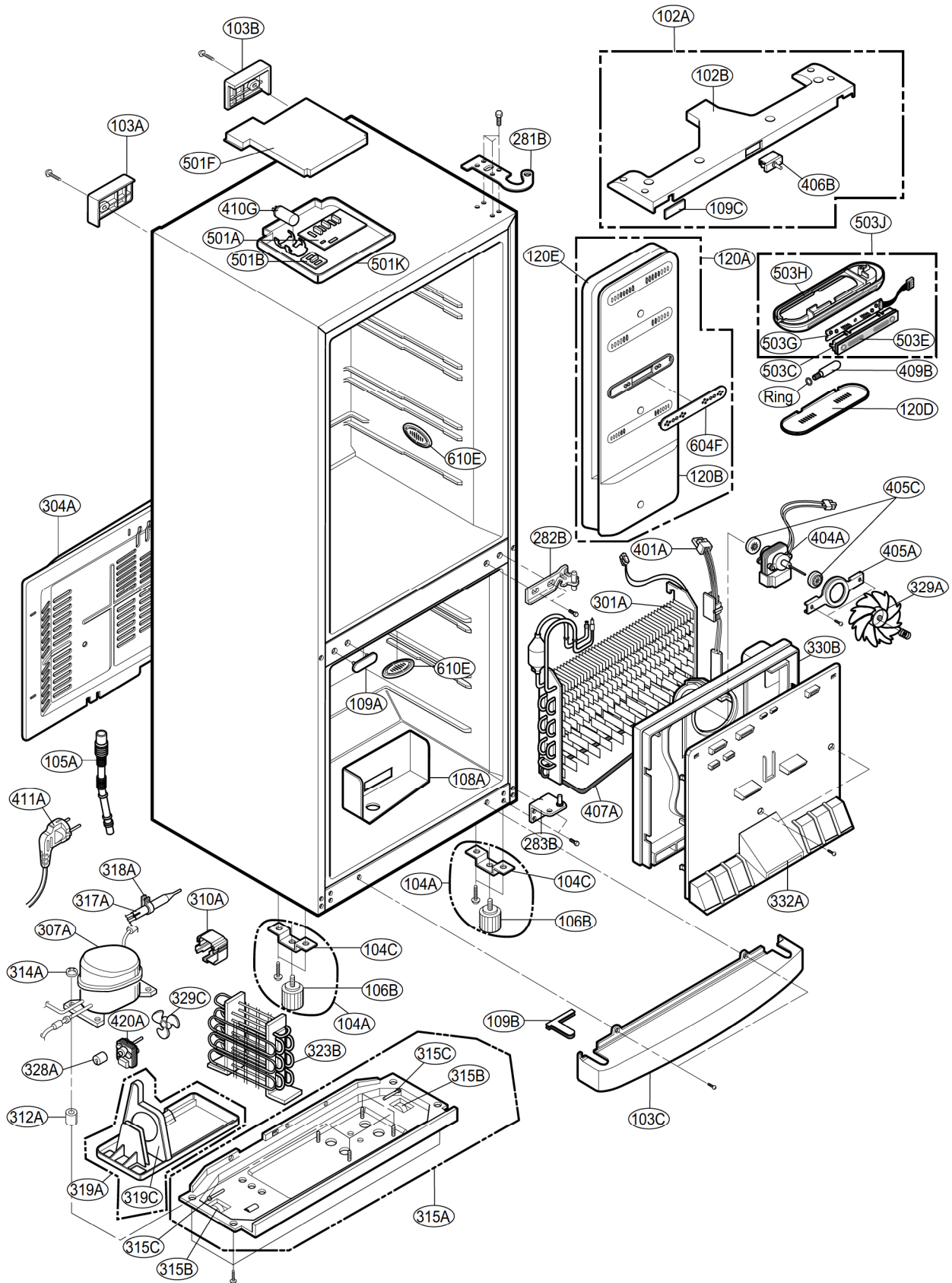
▼ The parts of refrigerator and the shape of each part are subject to change in different localities.



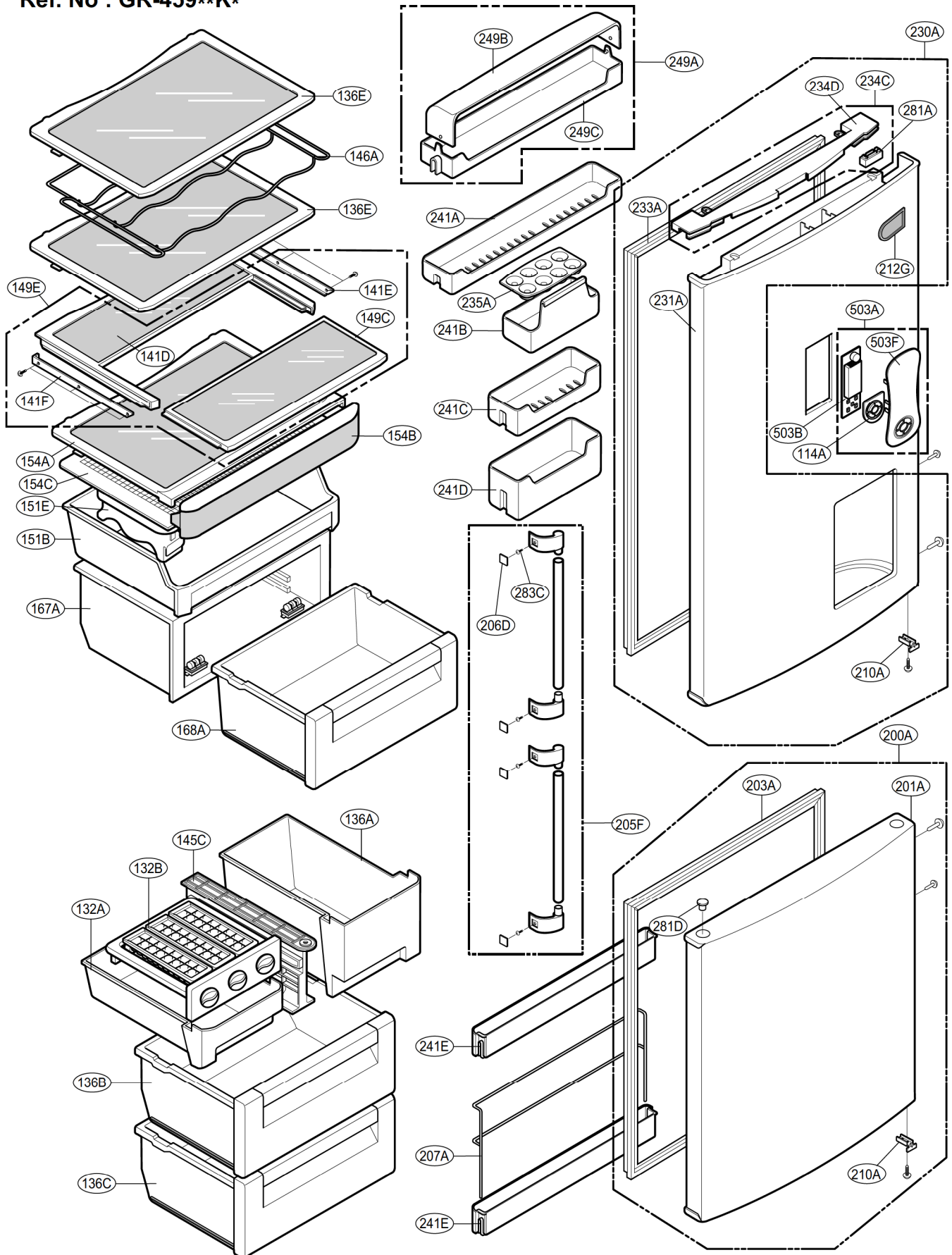
Ref. No : GR-459**R(Q)*



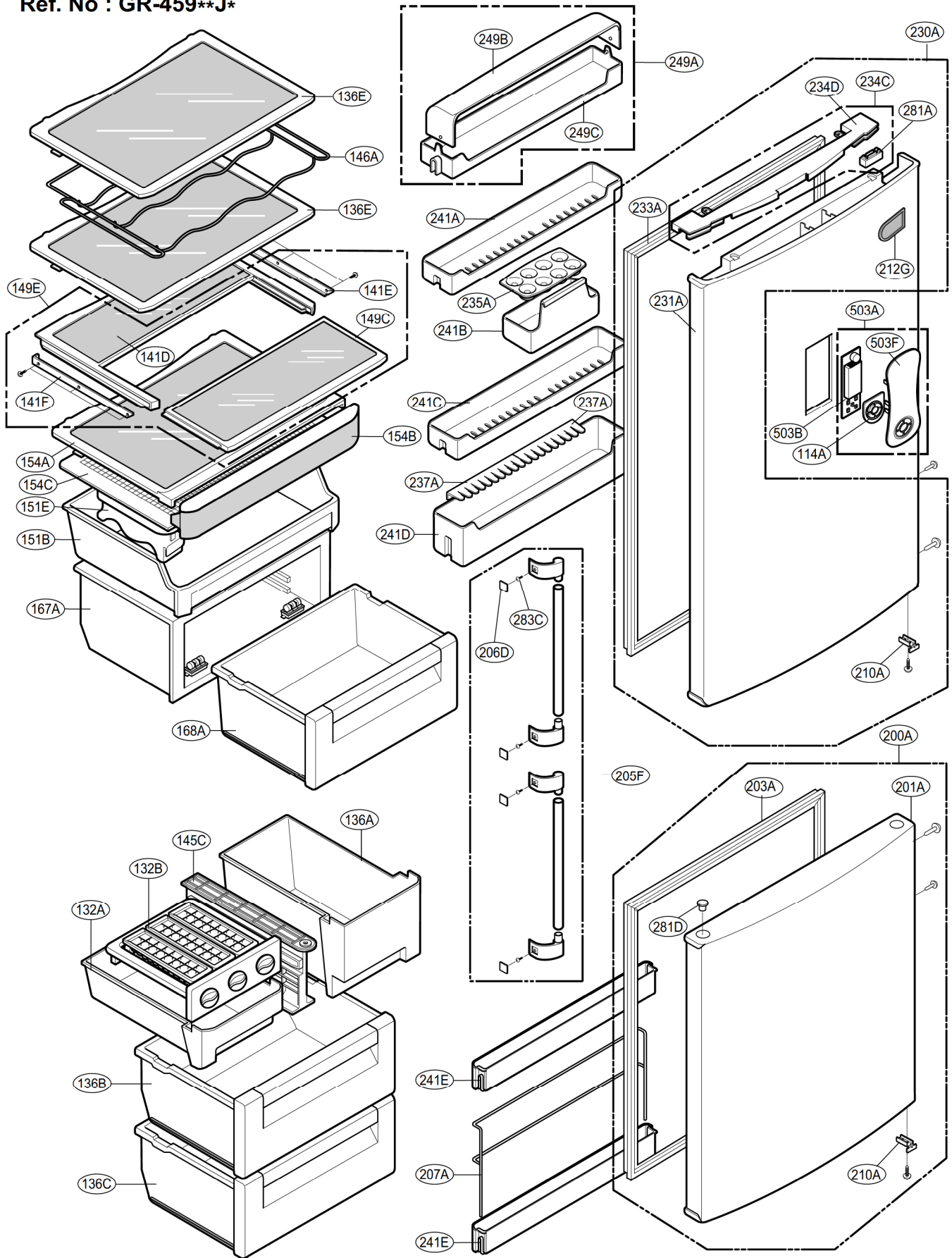
Ref. No : GR-459**C*



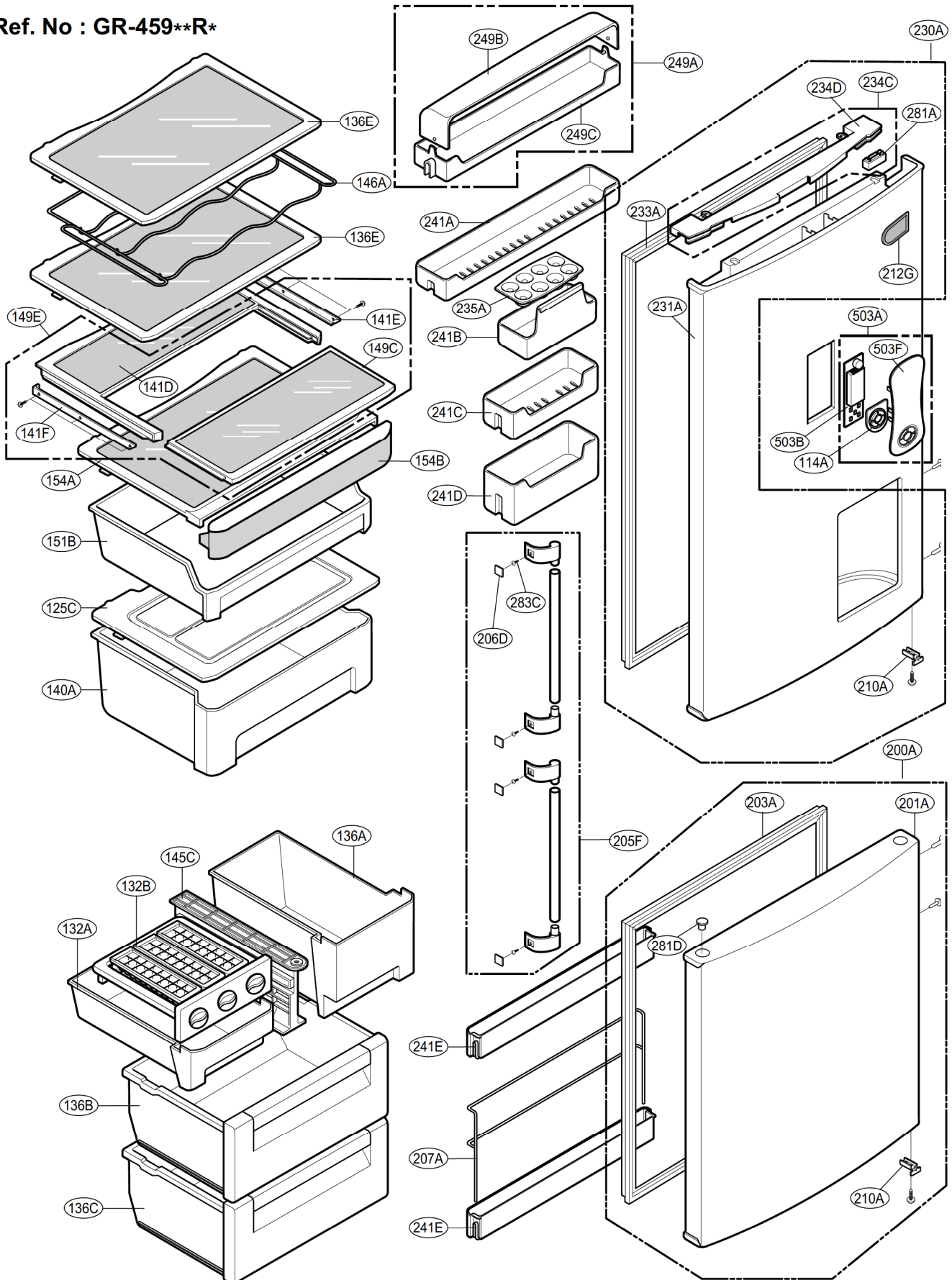
Ref. No : GR-459**K*



Ref. No : GR-459**J*

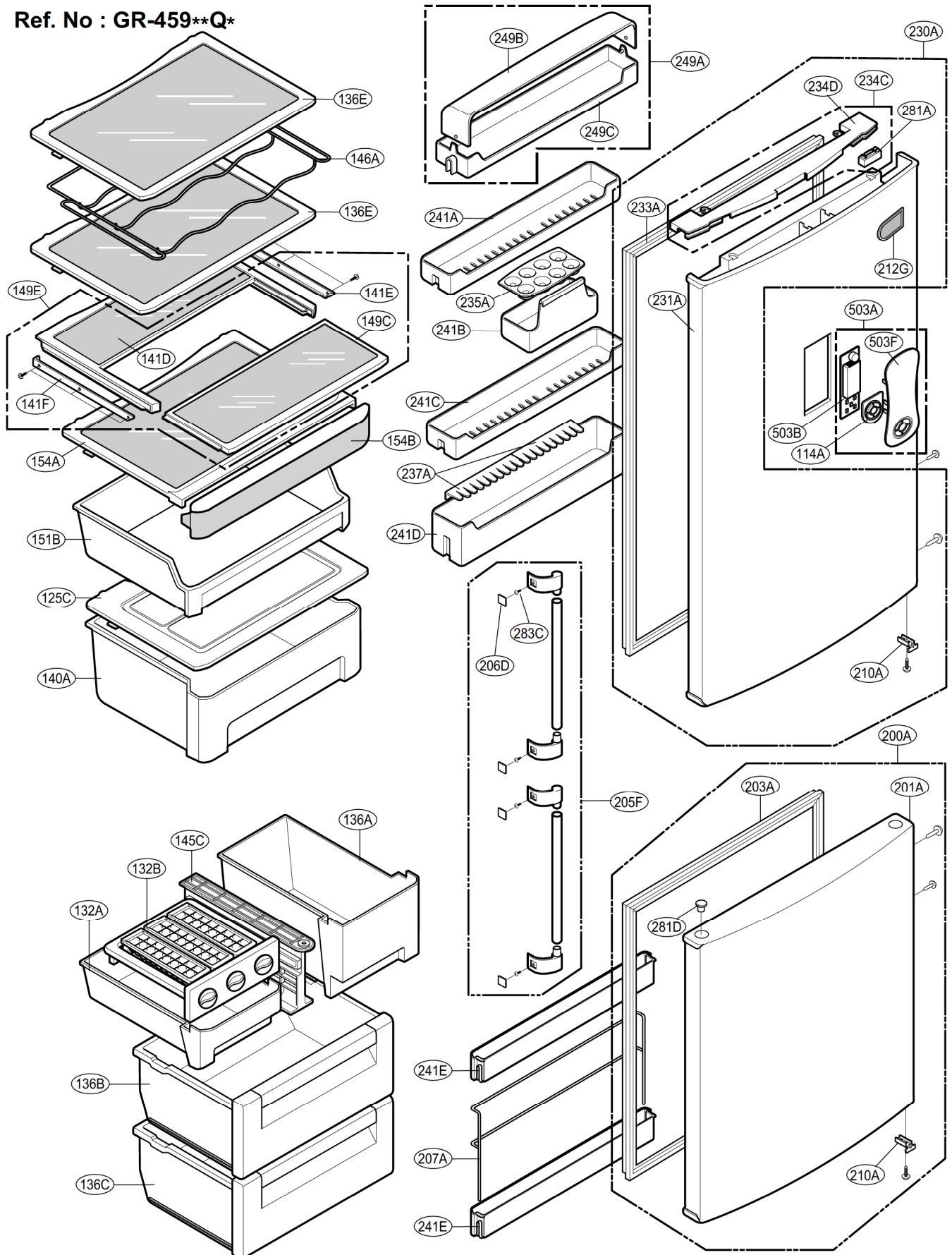


Ref. No : GR-459**R*



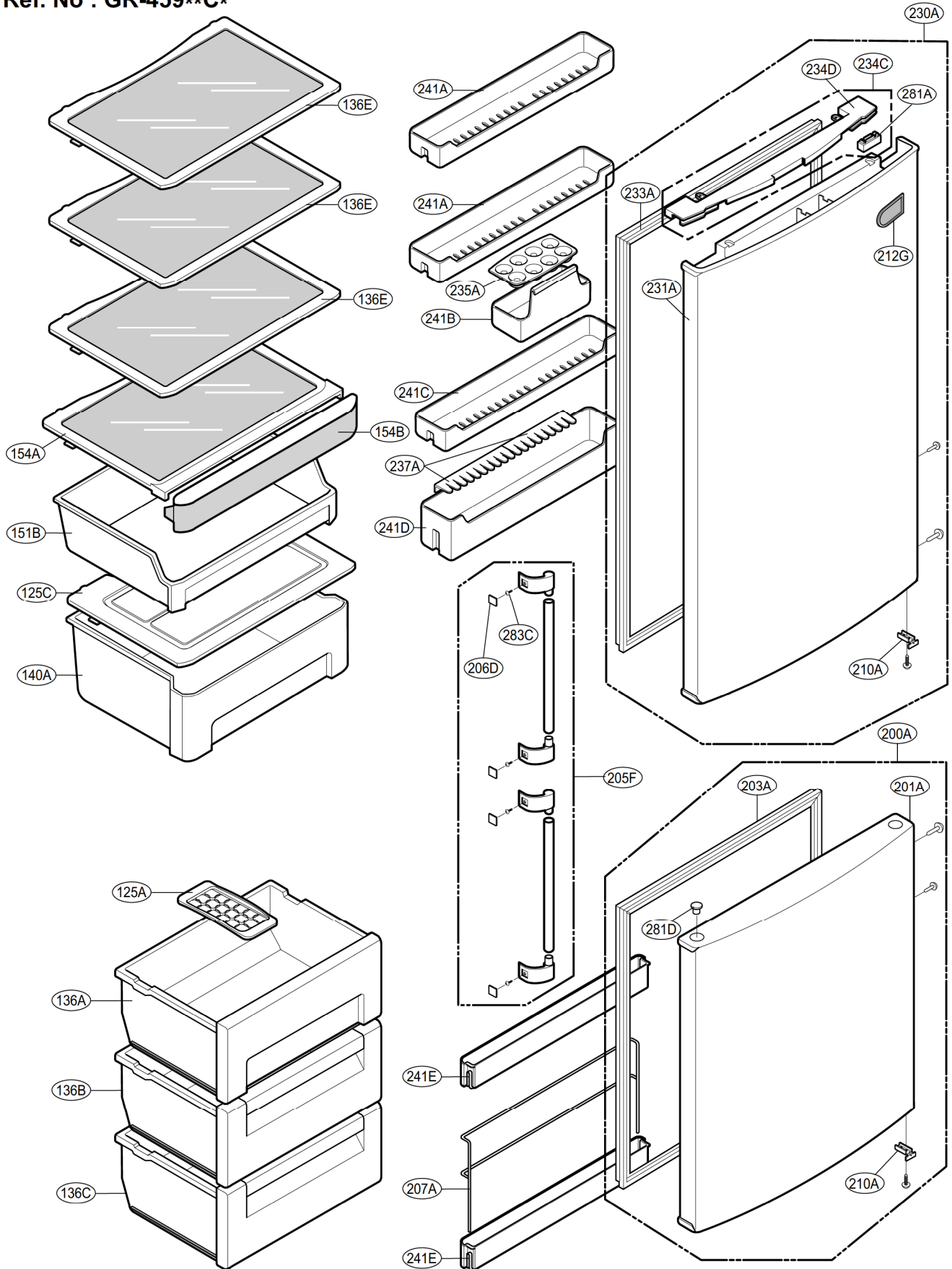
* Optional Parts

Ref. No : GR-459**Q*



* Optional Parts

Ref. No : GR-459**C*



Ref. No : GR-459**K(R)*

