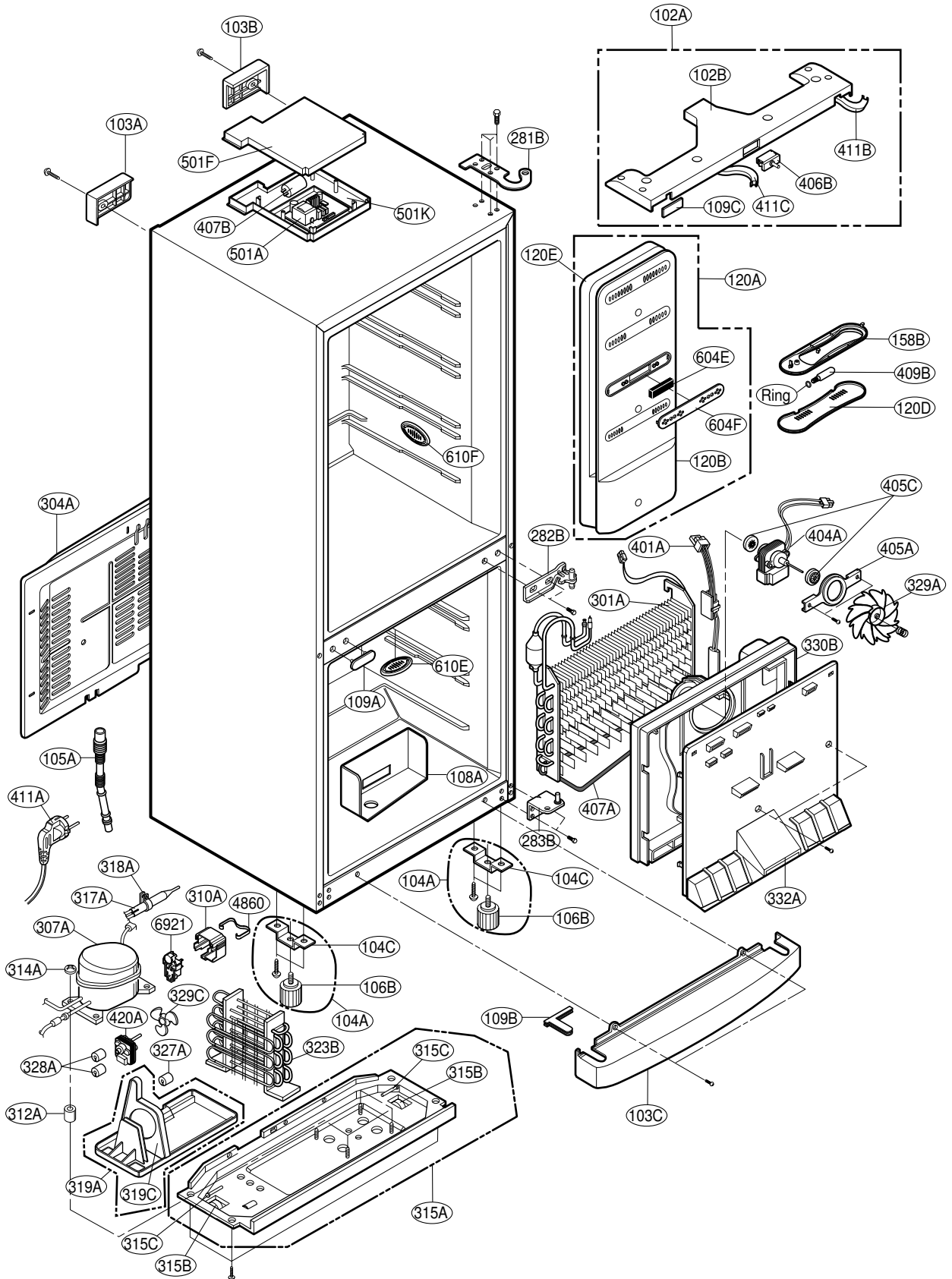


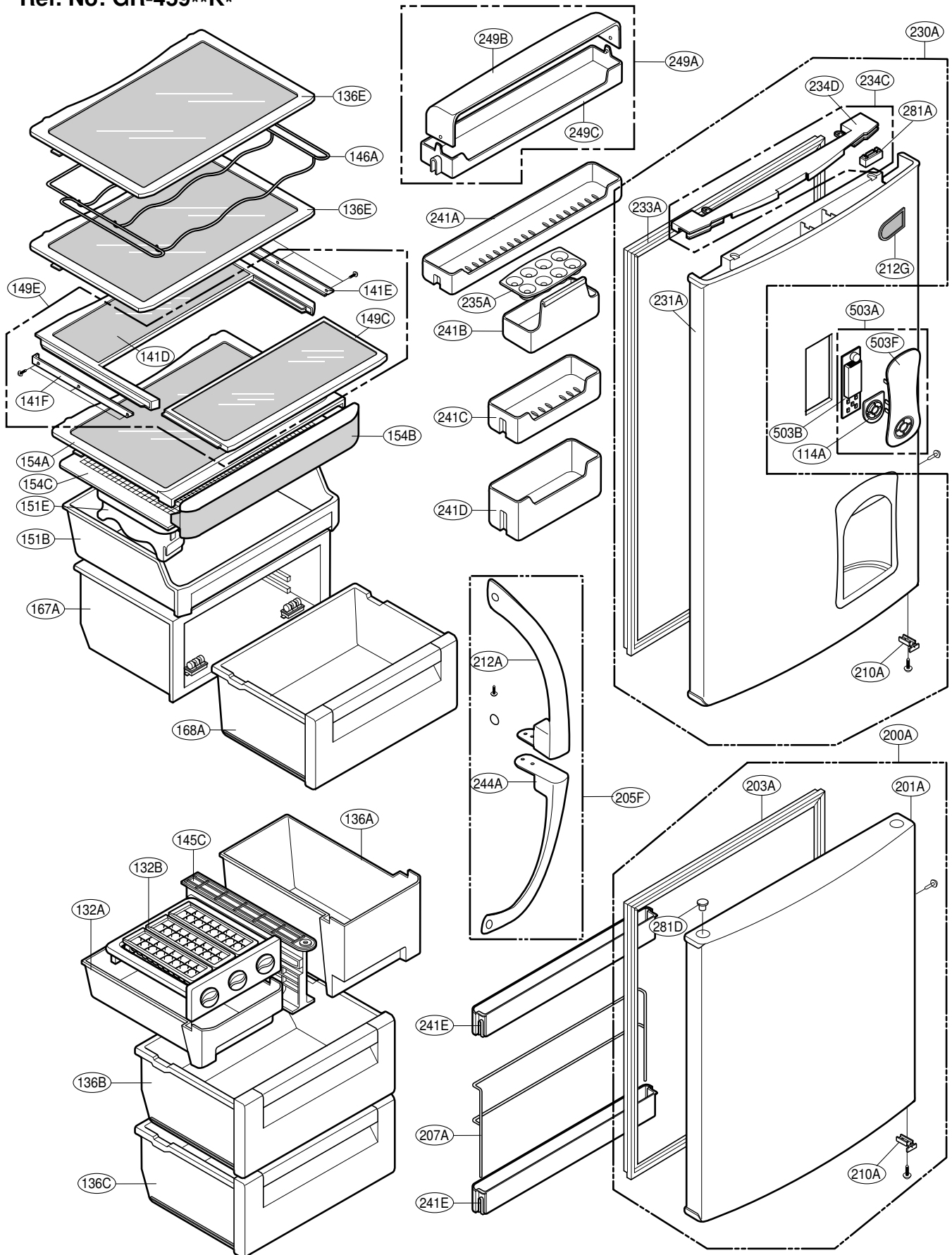
# EXPLODED VIEW & REPLACEMENT PARTS LIST

Ref. No : GR-459\*\*K(J)\*

▼ The parts of refrigerator and the shape of each part are subject to change in different localities.



Ref. No: GR-459\*\*K\*



Ref. No: GR-459\*\*K(R)\*

