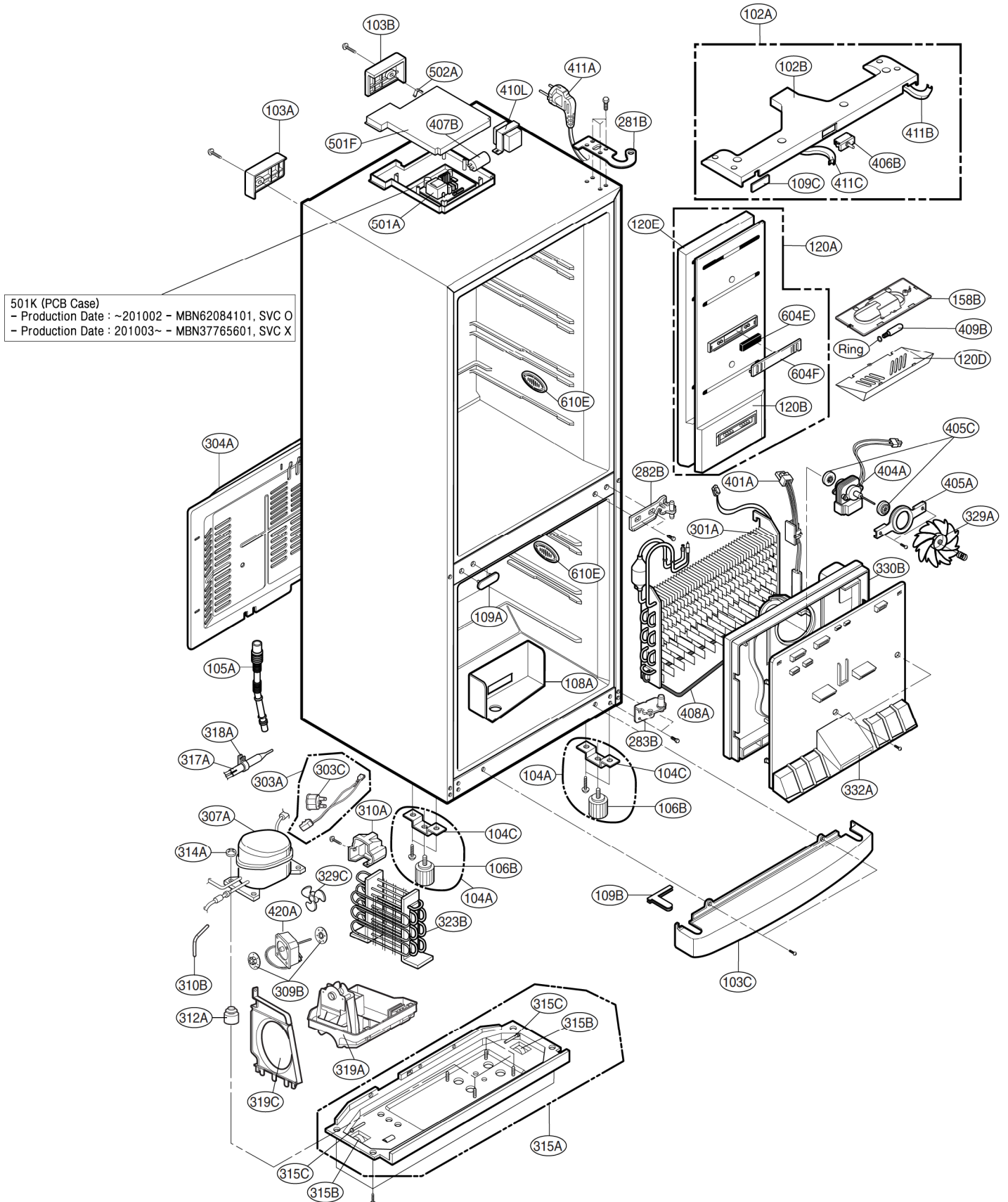


**Ref. No : GR-B459/469B\*\*Z, GR-B469BSGW.AAVQITL, GR-B469BVGW.ASWQITL**

▼ The parts of refrigerator and the shape of each part are subject to change in different localities.



Ref. No: GR-B459/469B\*\*Z  
 GR-B469BSGW.AAVQITL  
 GR-B469BVGW.ASWQITL

