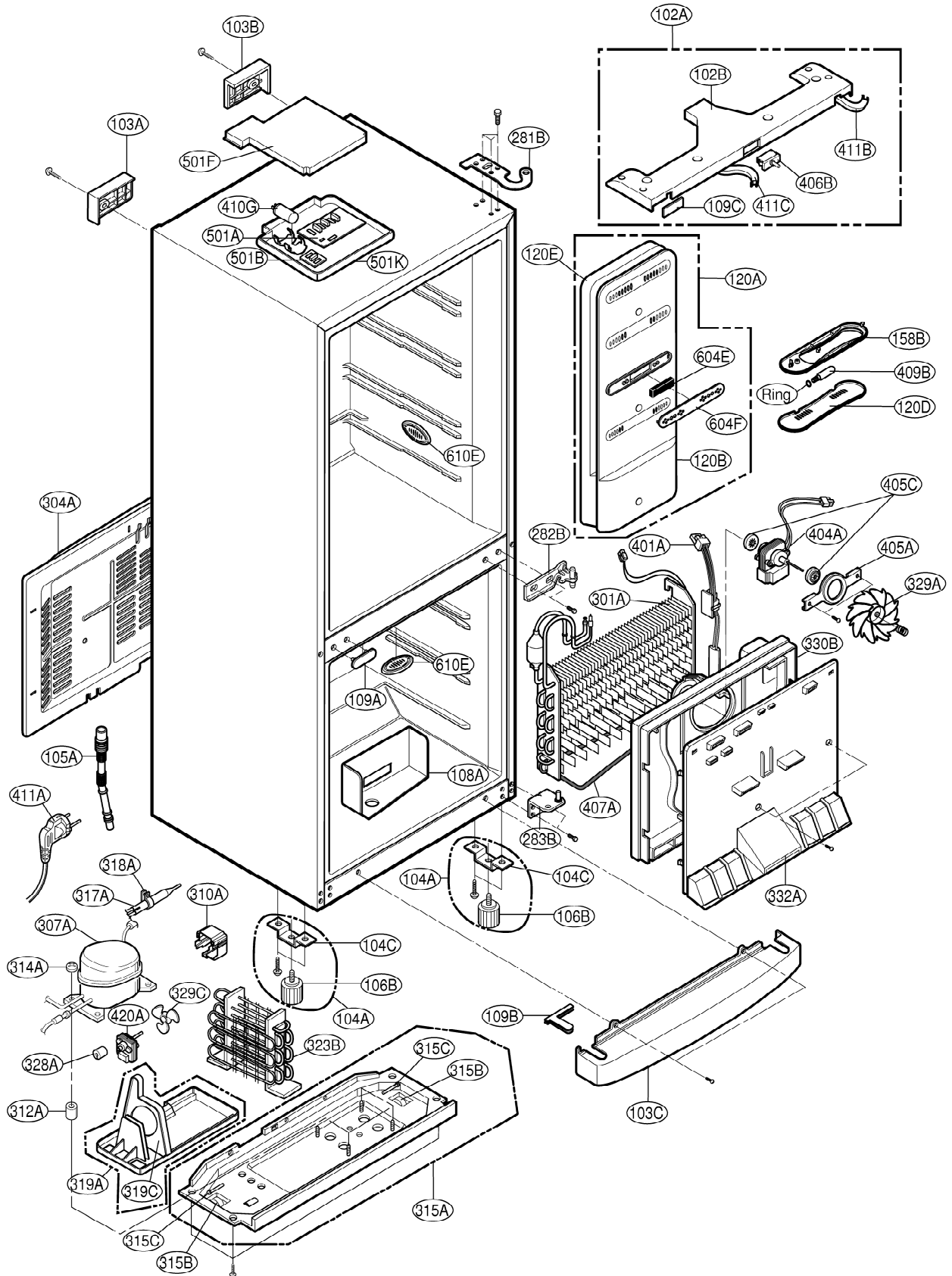


EXPLODED VIEW & REPLACEMENT PARTS LIST

Ref. No : GR-459**K(J)*

▼ The parts of refrigerator and the shape of each part are subject to change in different localities.



Ref. No : GR-459**J*

