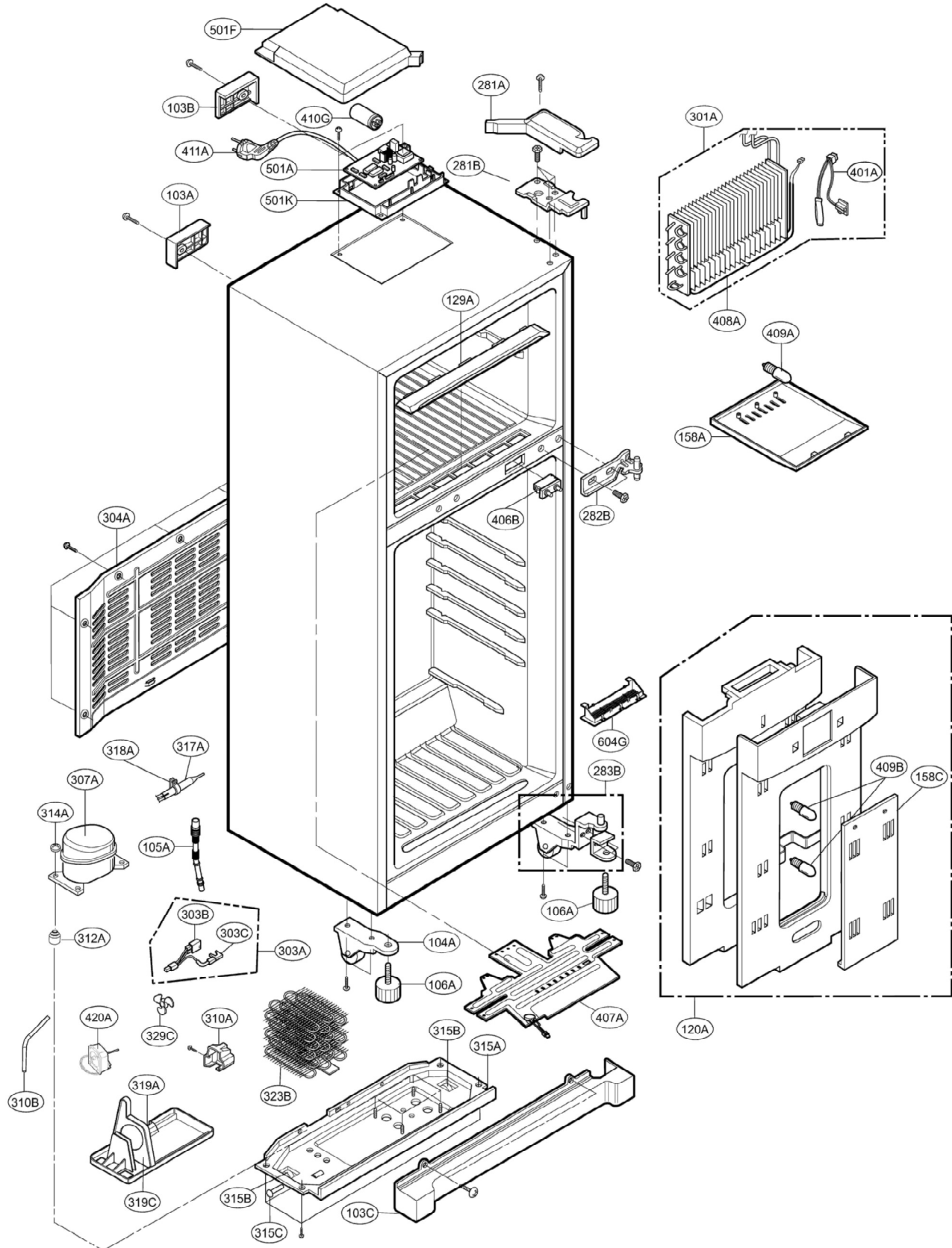


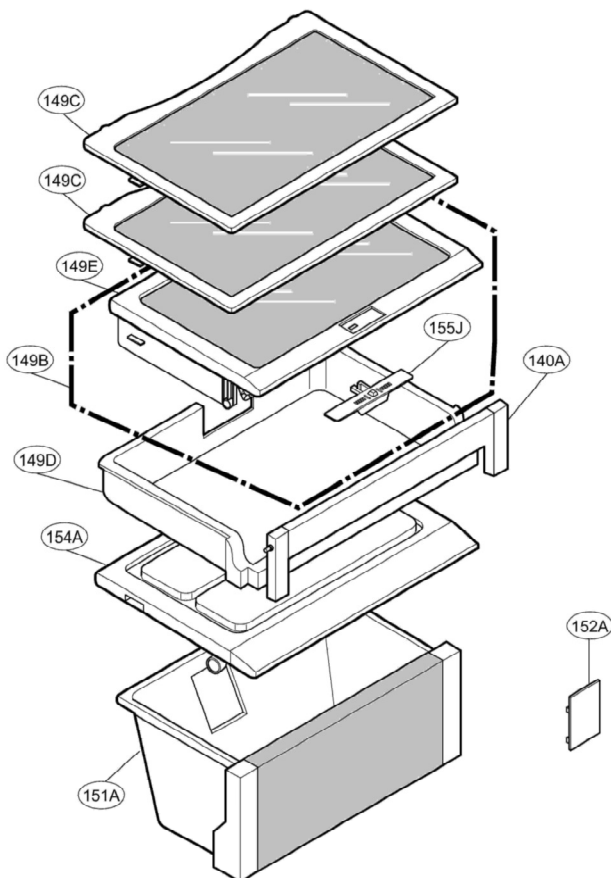
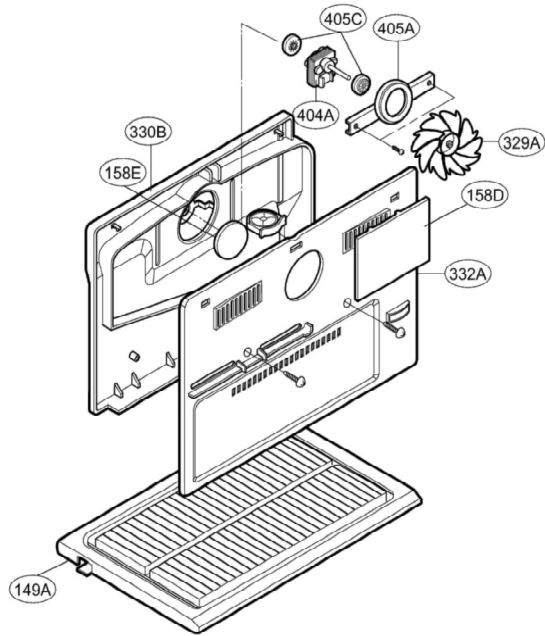
9. EXPLODED VIEW & REPLACEMENT PARTS LIST

9-1.

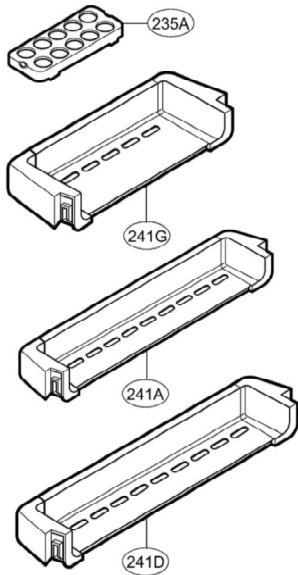
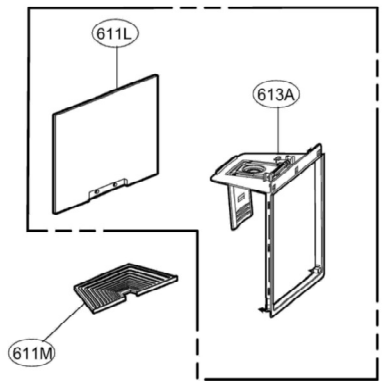
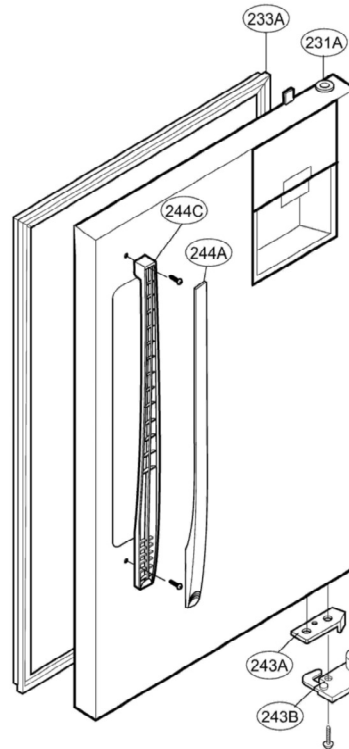
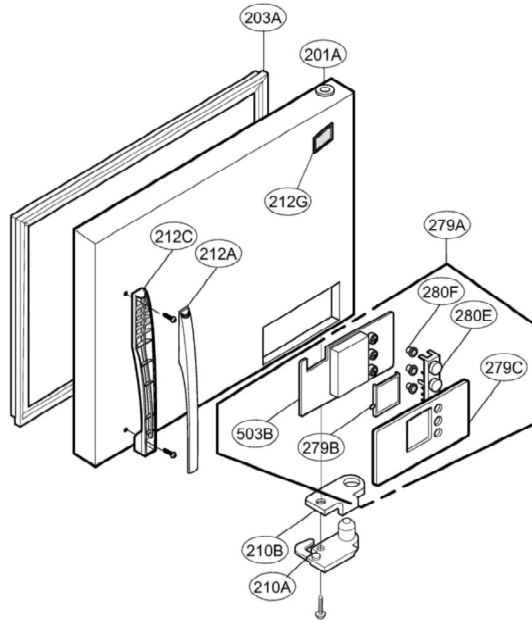
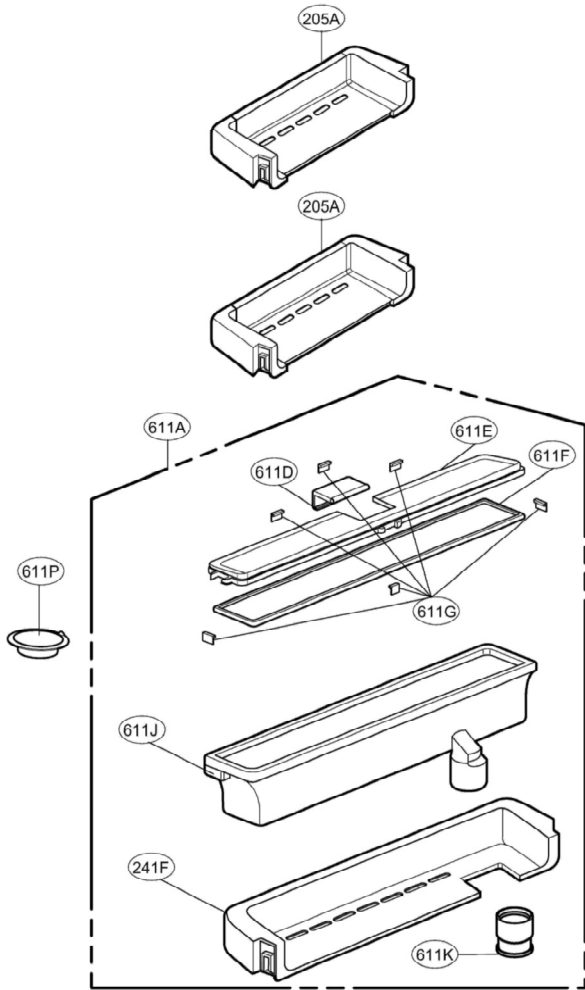
- ▼ The parts of refrigerator and the shape of each part are subject to change in different localities.
- ▼ Capacitors and fuse are optional parts.



► GR-B652/712Y**
GR-M652/712Y**



► GR-B652/712Y*B(S)



► GR-B652/712Y*B(S,Y)
GR-M652/712Y*A(X,Y)

