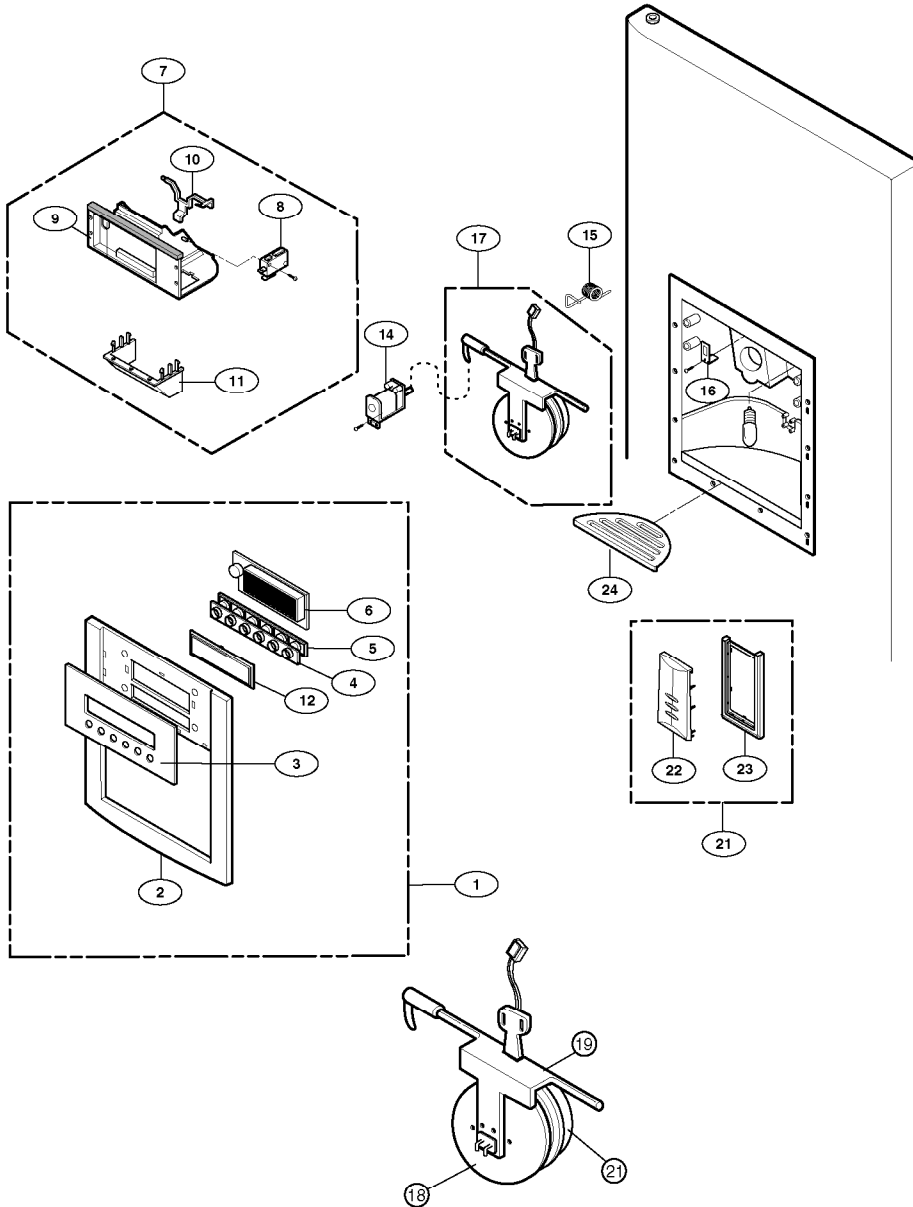


HOW TO DISASSEMBLE AND ASSEMBLE

7) Dispenser Related Parts

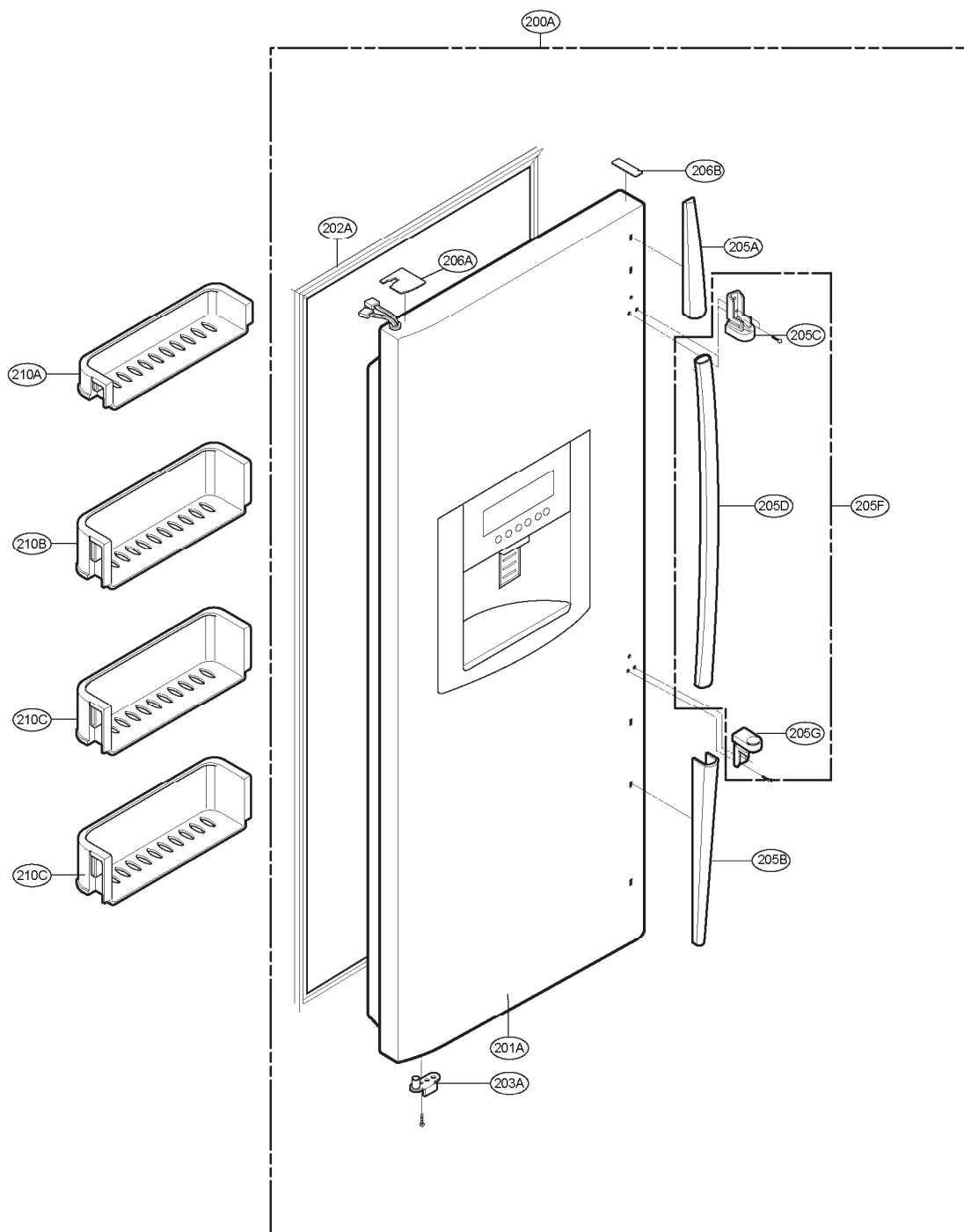


1	FRAME ASSEMBLY, DISPLAY
2	COVER, DISPENSER
3	FRAME, DISPLAY
4	BUTTON, DECO
5	BUTTON, ASSEMBLY
6	PWB(PCB) ASSEMBLY, DISPLAY
7	FUNNEL ASSEMBLY
8	SWITCH, MICRO
9	FRAME, FUNNEL
10	LEVER(SWITCH)
11	FUNNEL
12	DECO, FRAME DISPLAY
14	SOLENOID ASSEMBLY
15	SPRING
16	HOLDER, LEVER
17	CAP, DUCT ASSEMBLY
18	DUCT DOOR ASSEMBLY
19	LEVER, DISPENSER
20	RUBBER, CAP
21	BUTTON ASSEMBLY
22	BUTTON
23	HOLDER, BUTTON
24	DECO, DRAIN

< 17 Cap Assembly, Duct Detailed Drawings >

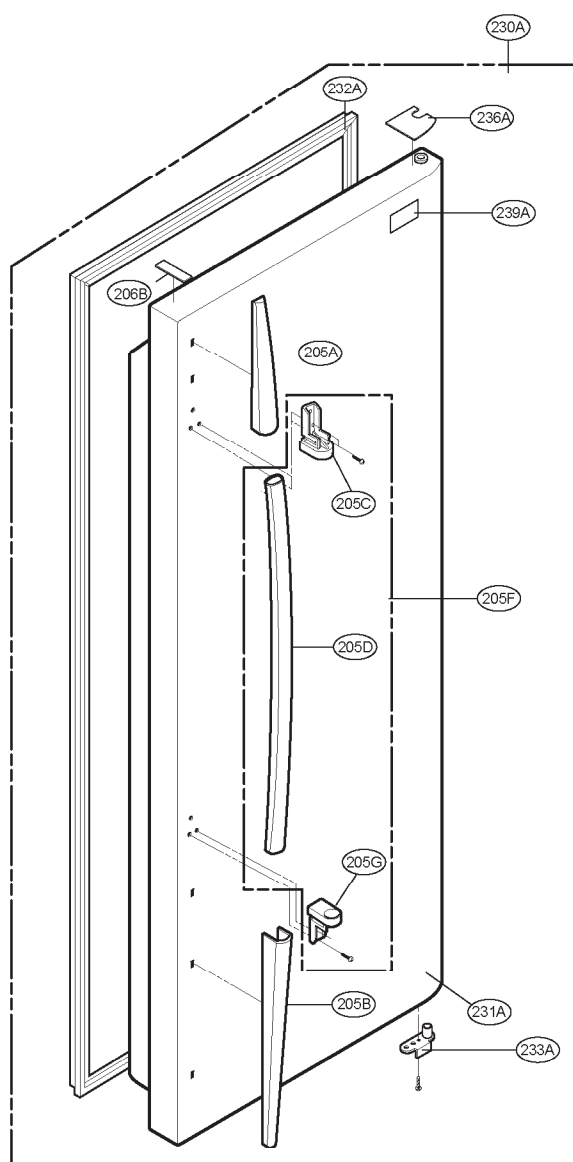
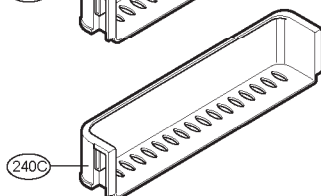
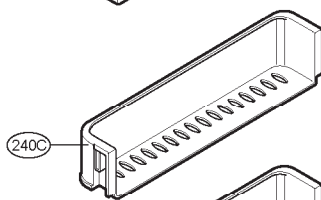
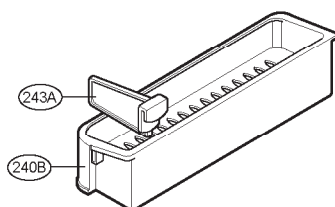
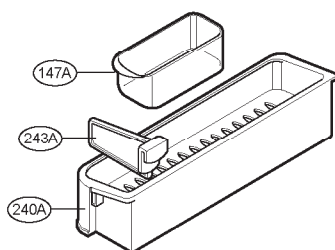
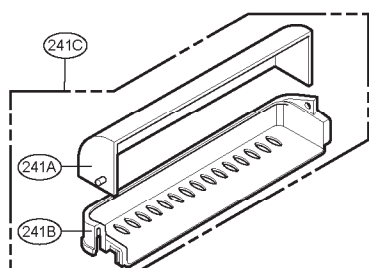
EXPLODED VIEW

FREEZER DOOR PART



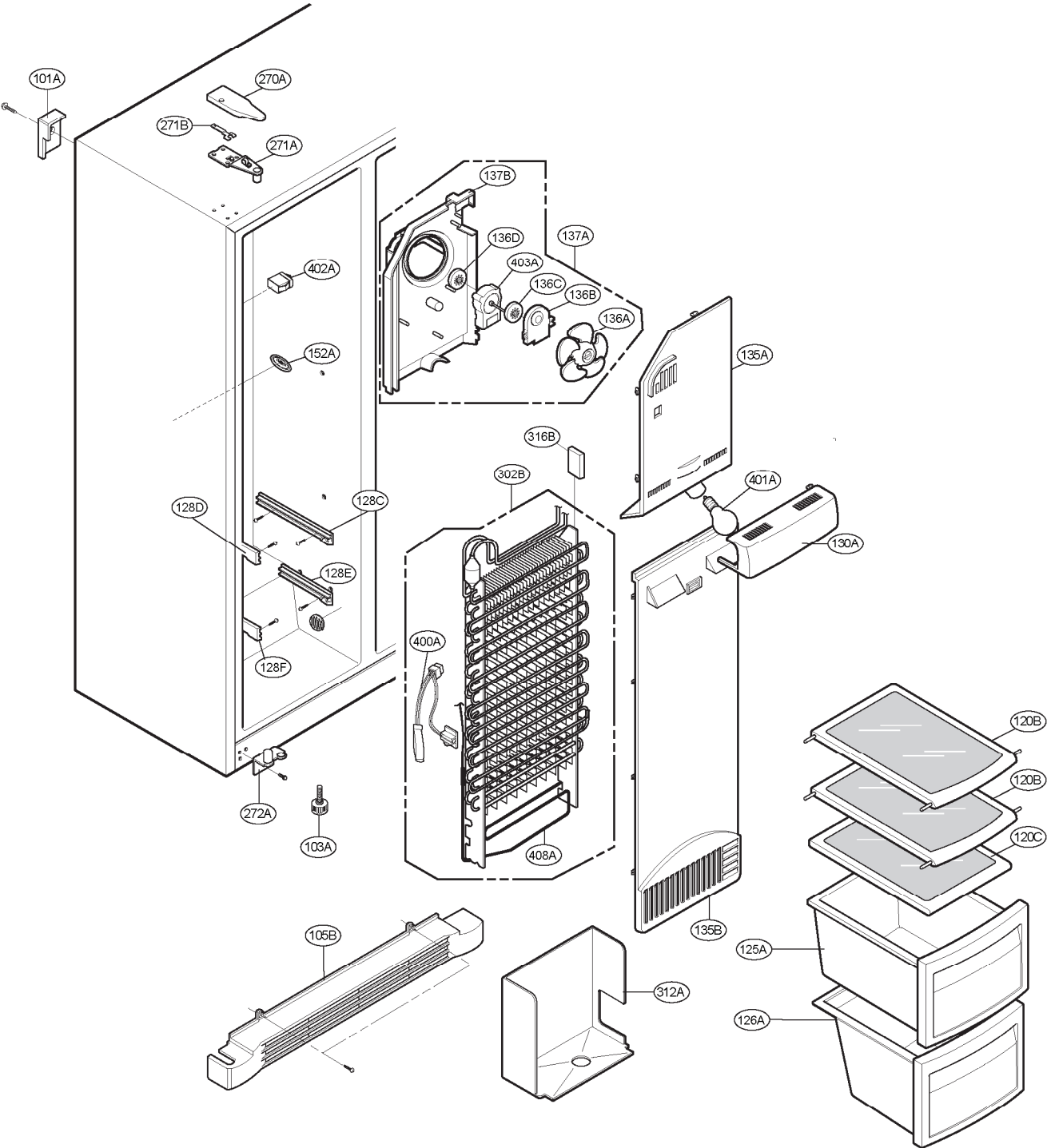
EXPLODED VIEW

REFRIGERATOR DOOR PART



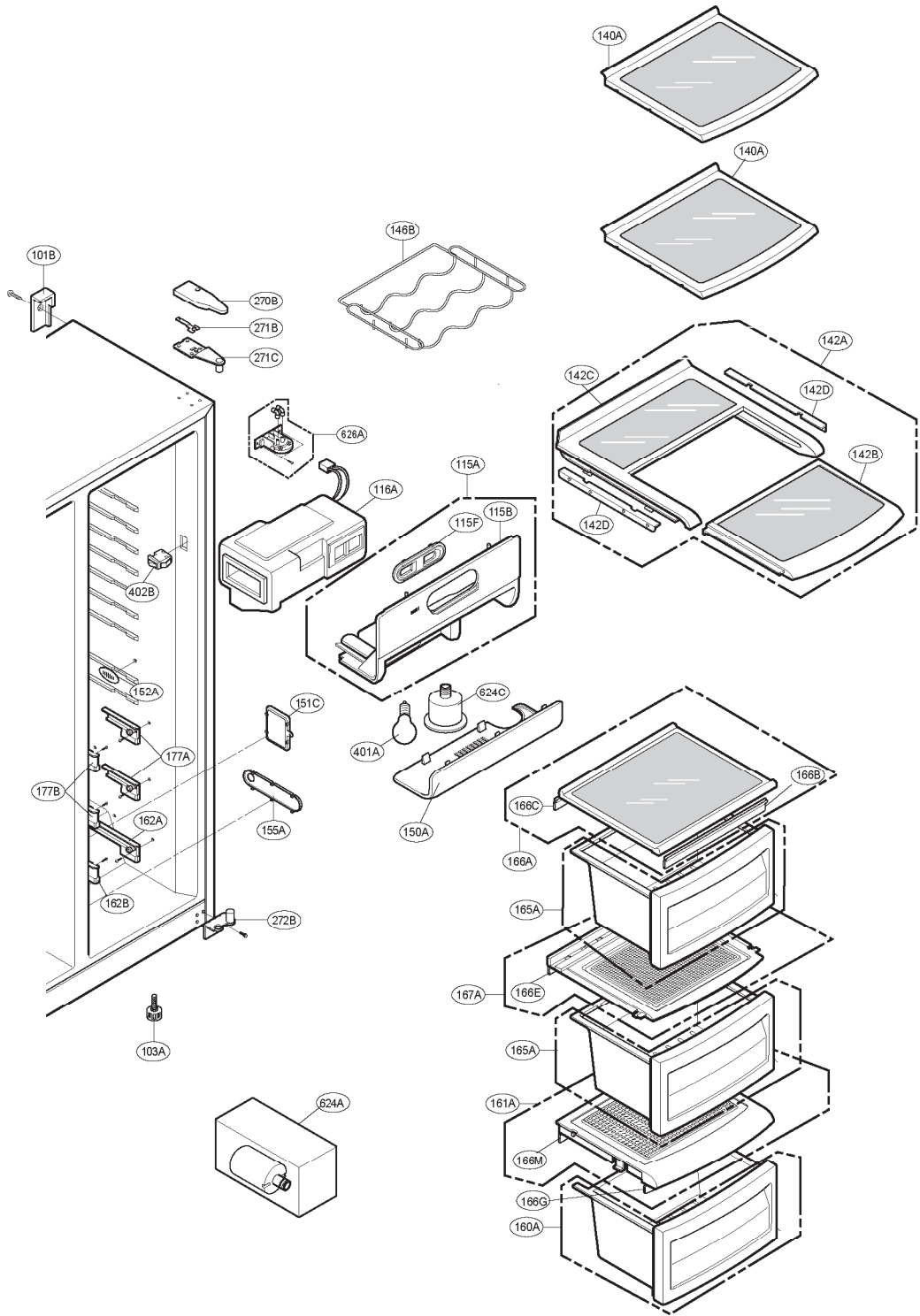
EXPLODED VIEW

FREEZER COMPARTMENT



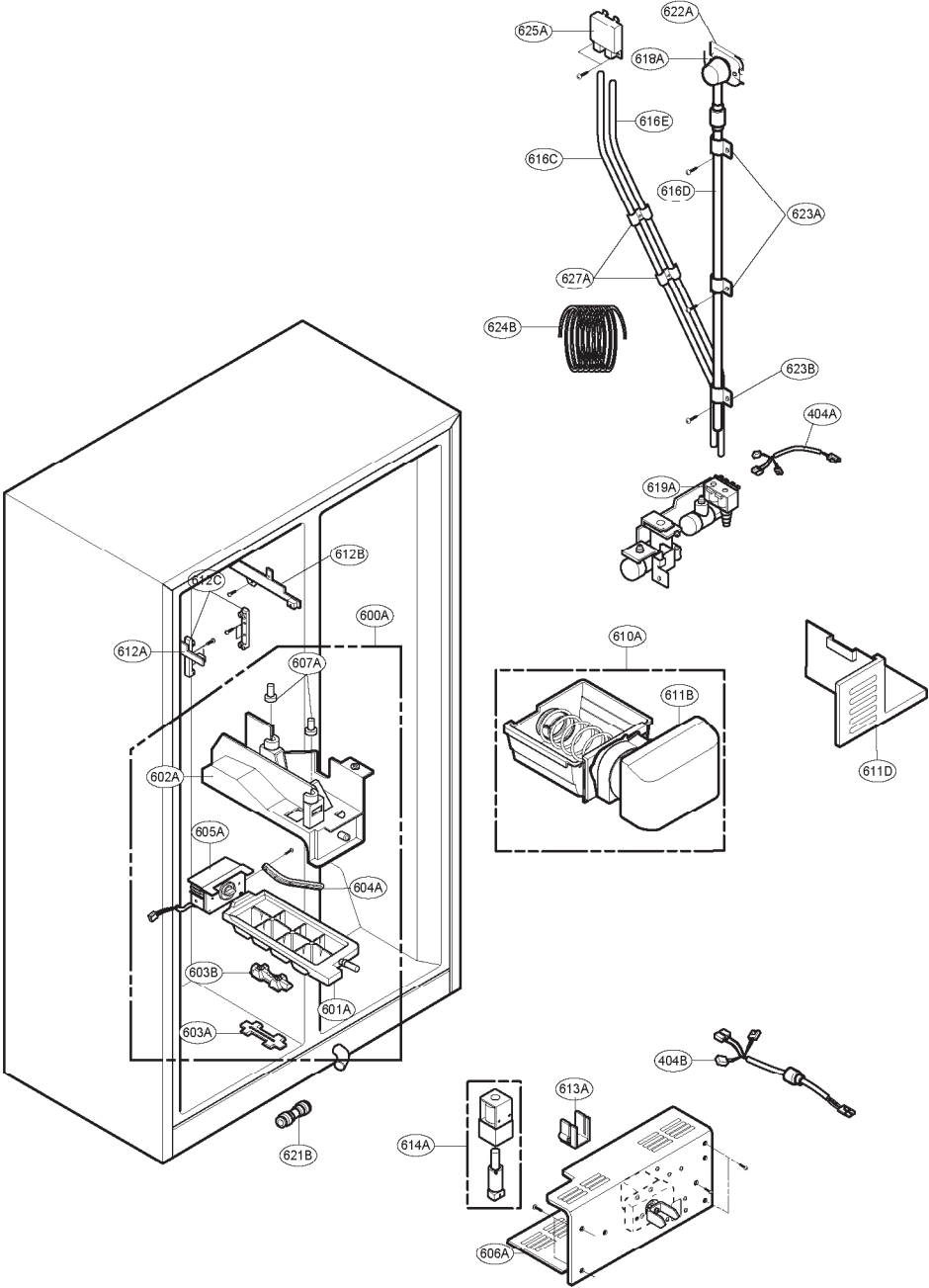
EXPLODED VIEW

REFRIGERATOR COMPARTMENT



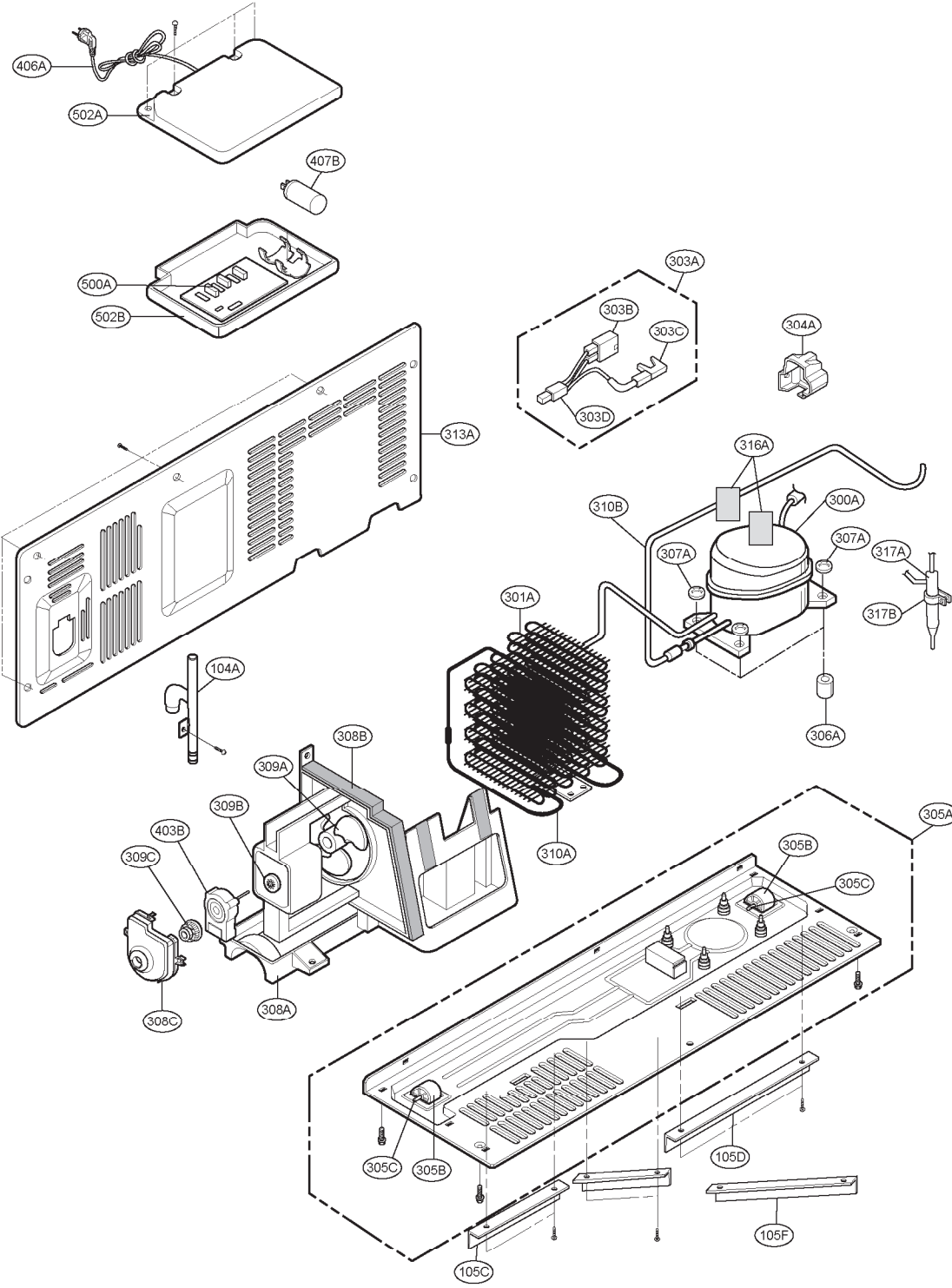
EXPLODED VIEW

ICE & WATER PART



EXPLODED VIEW

MACHINE COMPARTMENT



EXPLODED VIEW

DISPENSER PART

