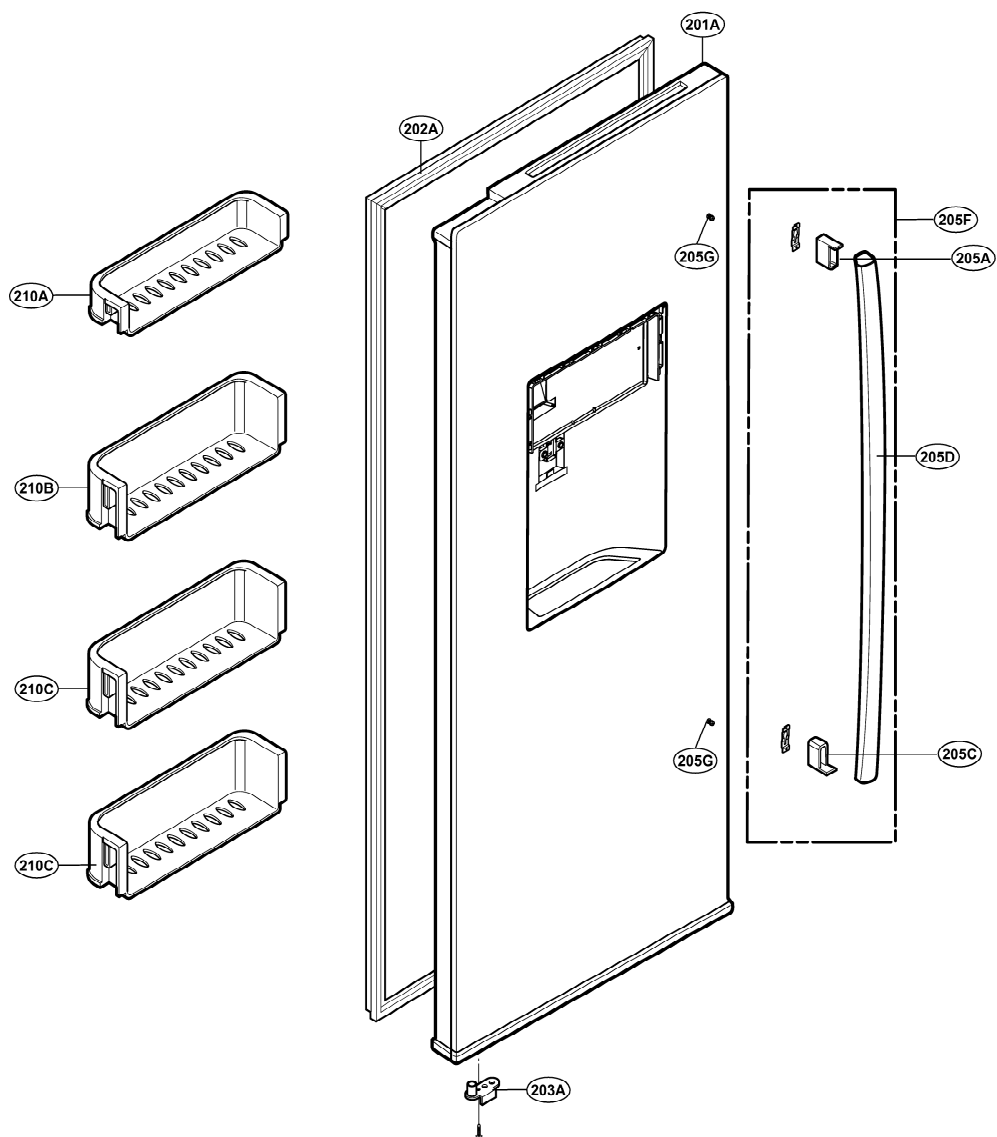


# EXPLODED VIEW

FREEZER DOOR PART

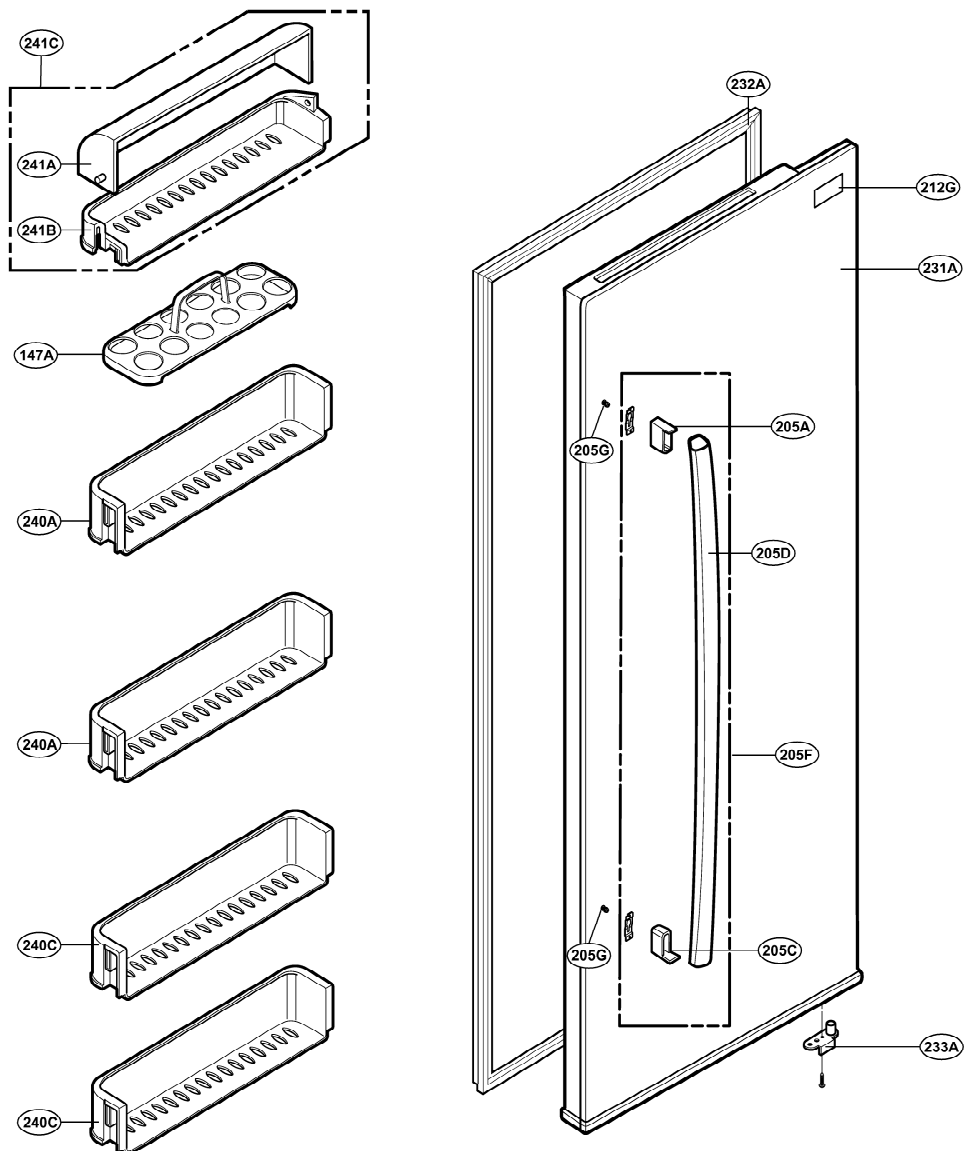
Ref No.: G S3159\*\*(A/B/C/D/E/F/G/H)\*



# EXPLODED VIEW

## REFRIGERATOR DOOR PART

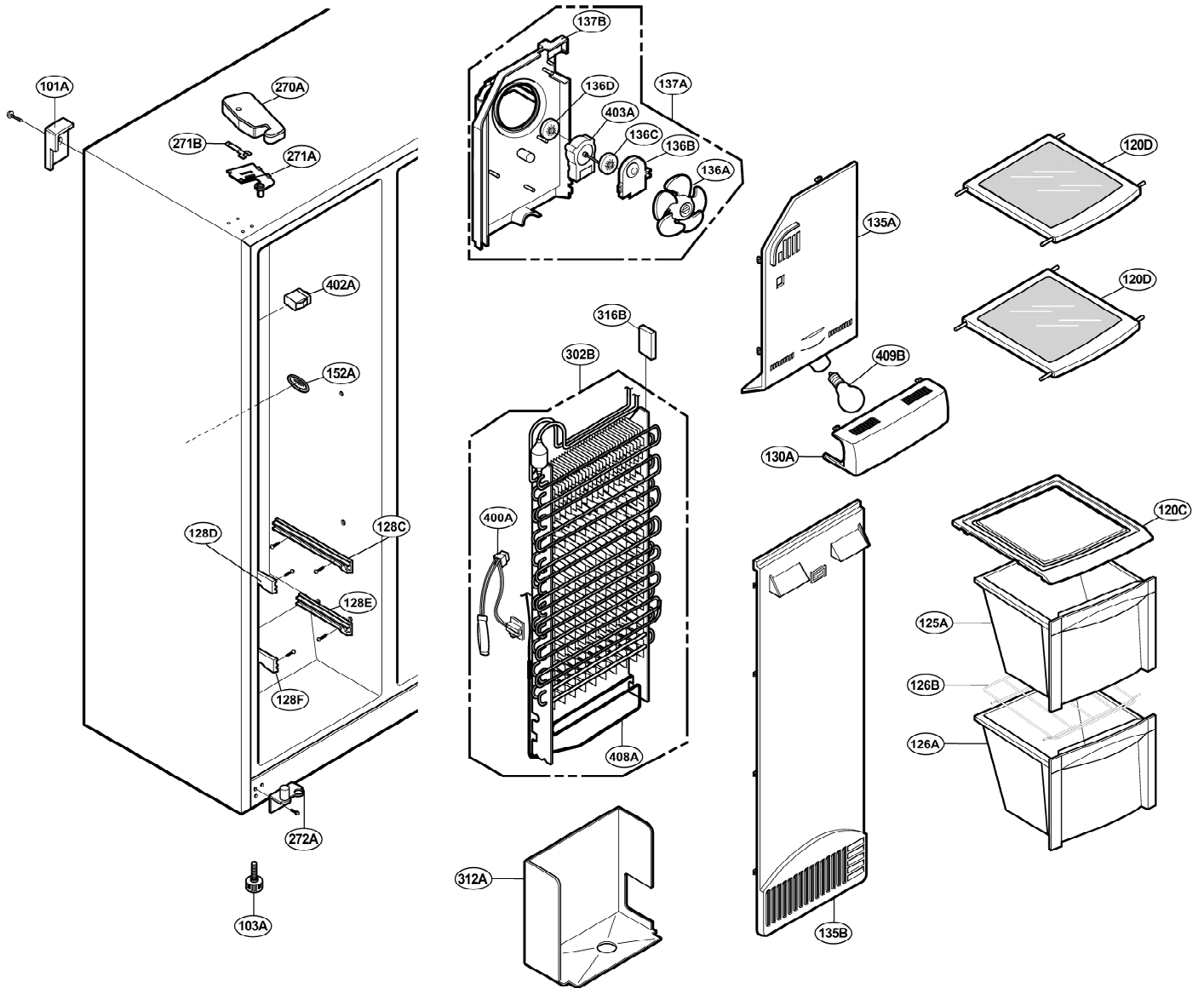
Ref No.: GS3159\*\*(E/F/G/H/J)\*



# EXPLODED VIEW

FREEZER COMPARTMENT

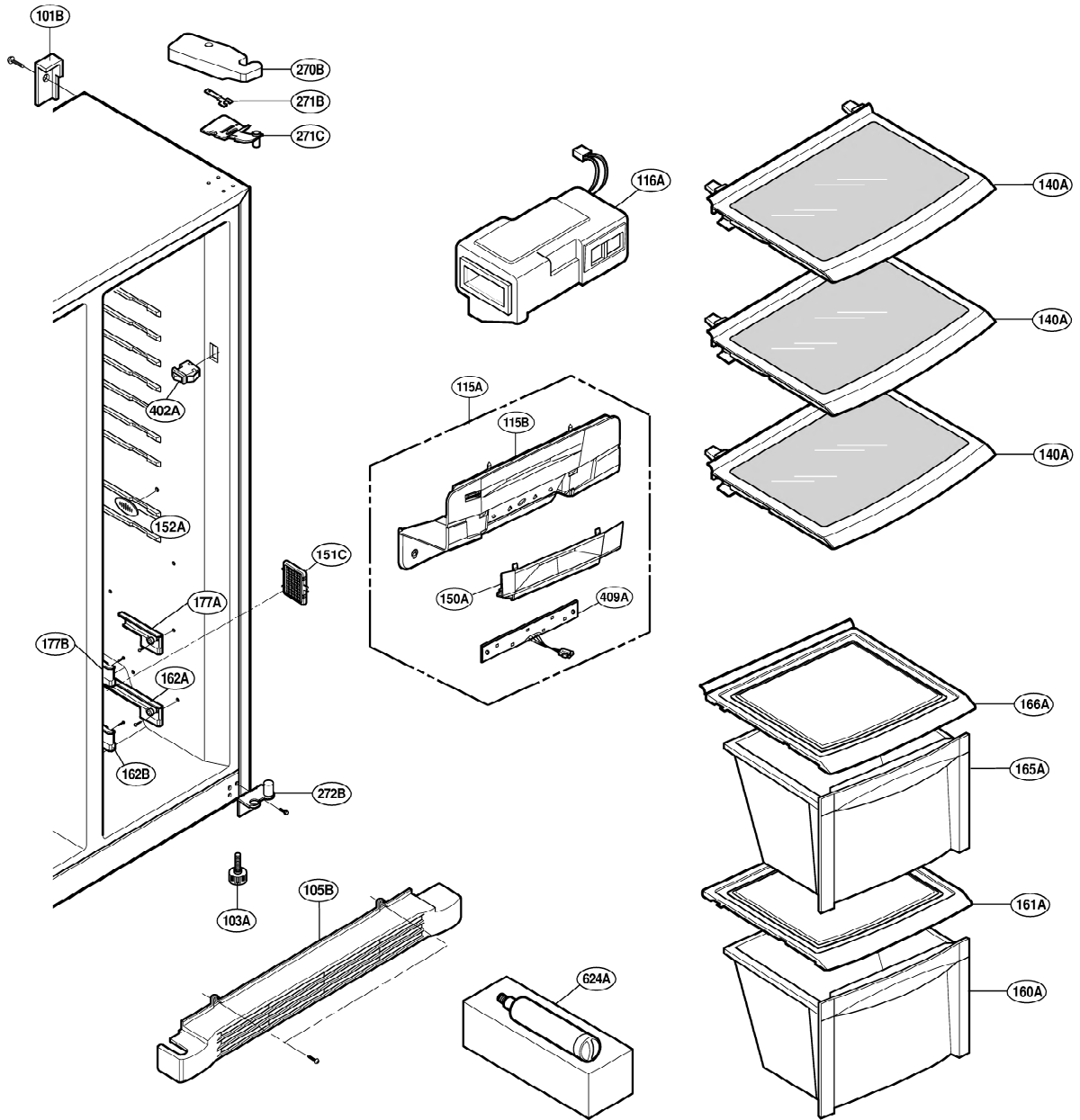
Ref No.: GS3159\*\*(A/B/C/D/E/F/G/H)\*



# EXPLODED VIEW

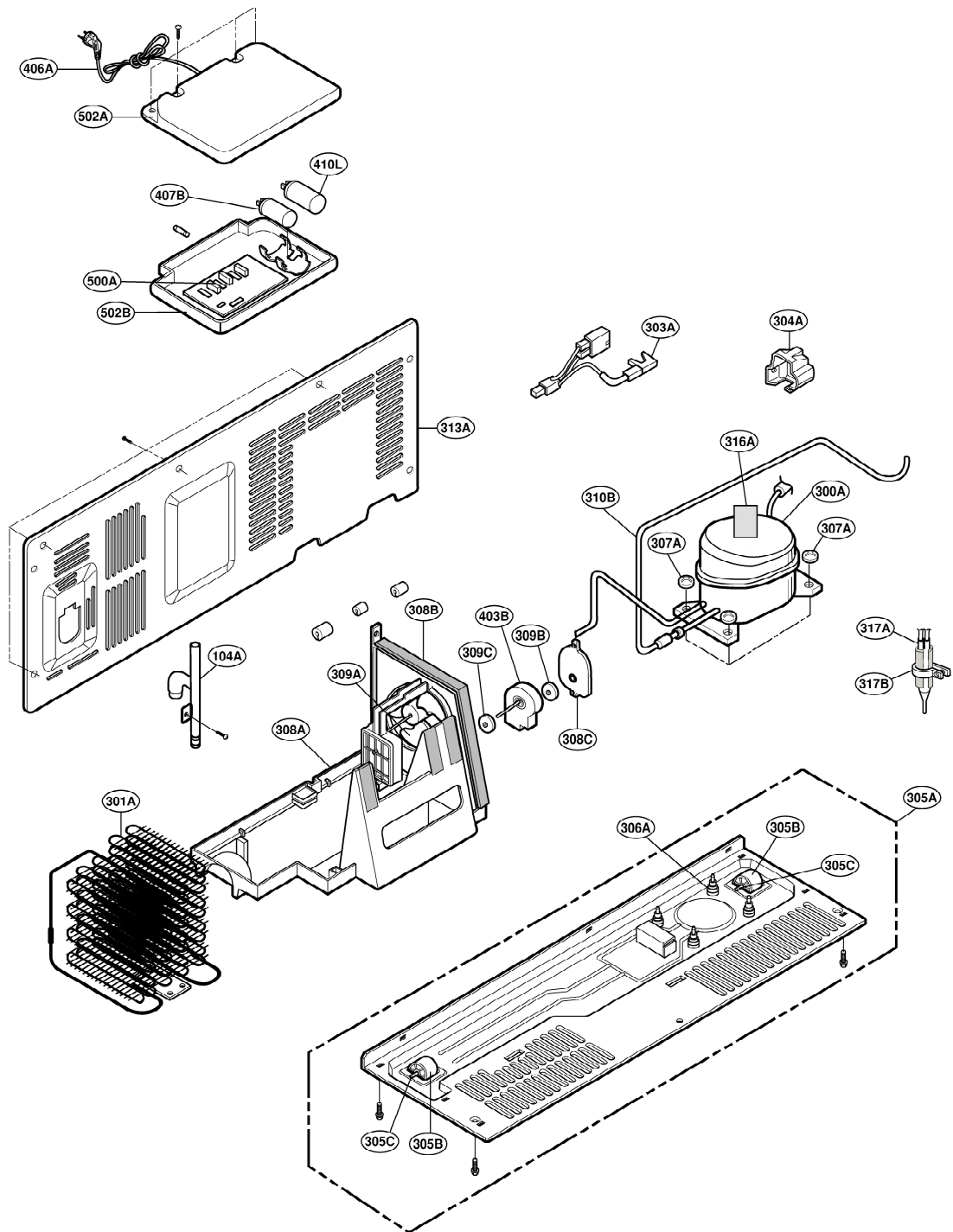
## REFRIGERATOR COMPARTMENT

Ref No.: GS3159\*\*(A/B/D/E/F/H)\*



# EXPLODED VIEW

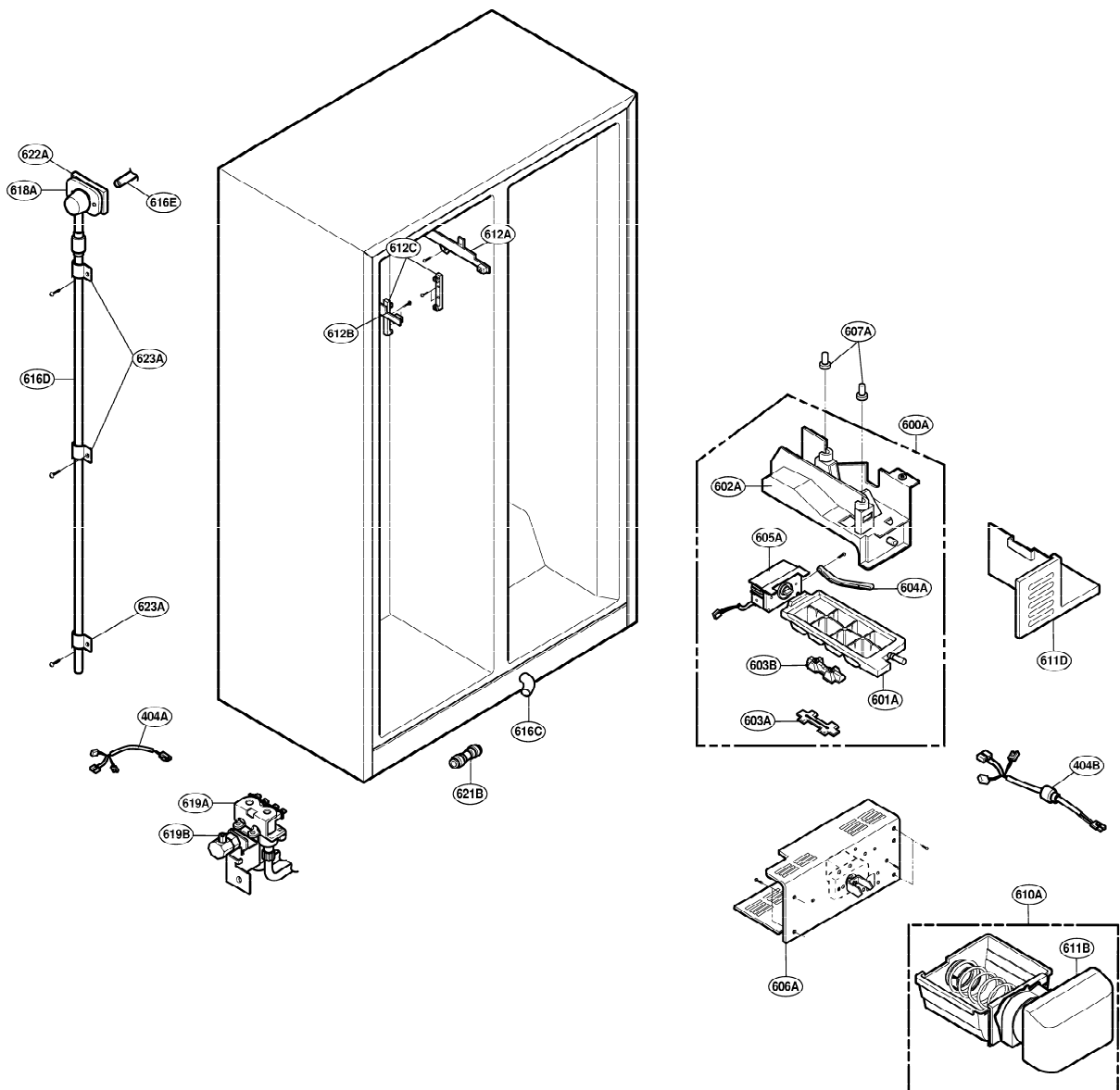
MACHINE COMPARTMENT  
Ref No.: GS3159\*\*(E/F/G/H/J)V



# EXPLODED VIEW

ICE & WATER PART

Ref No.: GS3159\*\*(A/B/E/F)\*



# EXPLODED VIEW

DISPENSER PART

Ref No.: GS3159\*\*(A/B/C/D/E/F/G/H)\*

