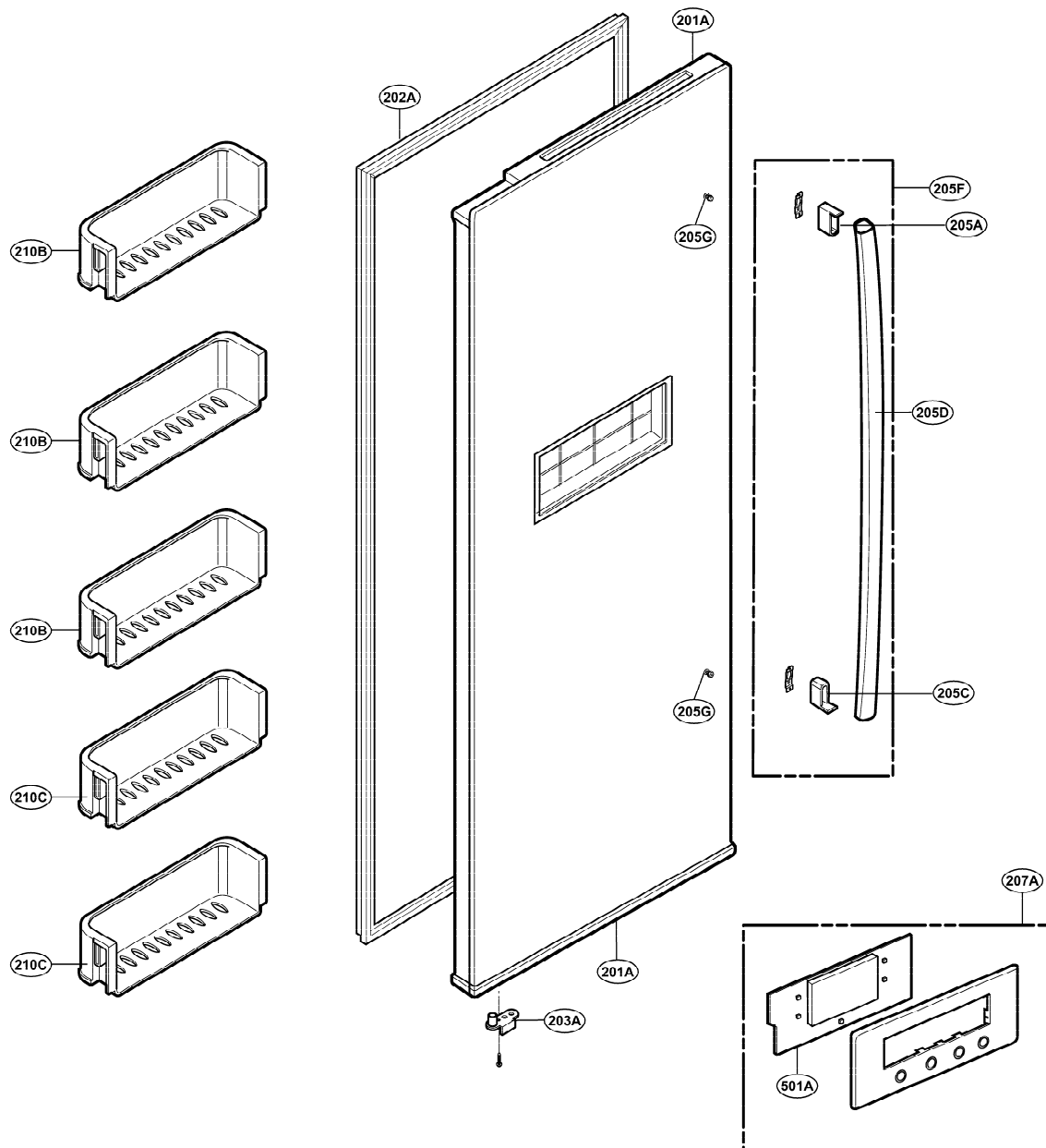


# EXPLODED VIEW

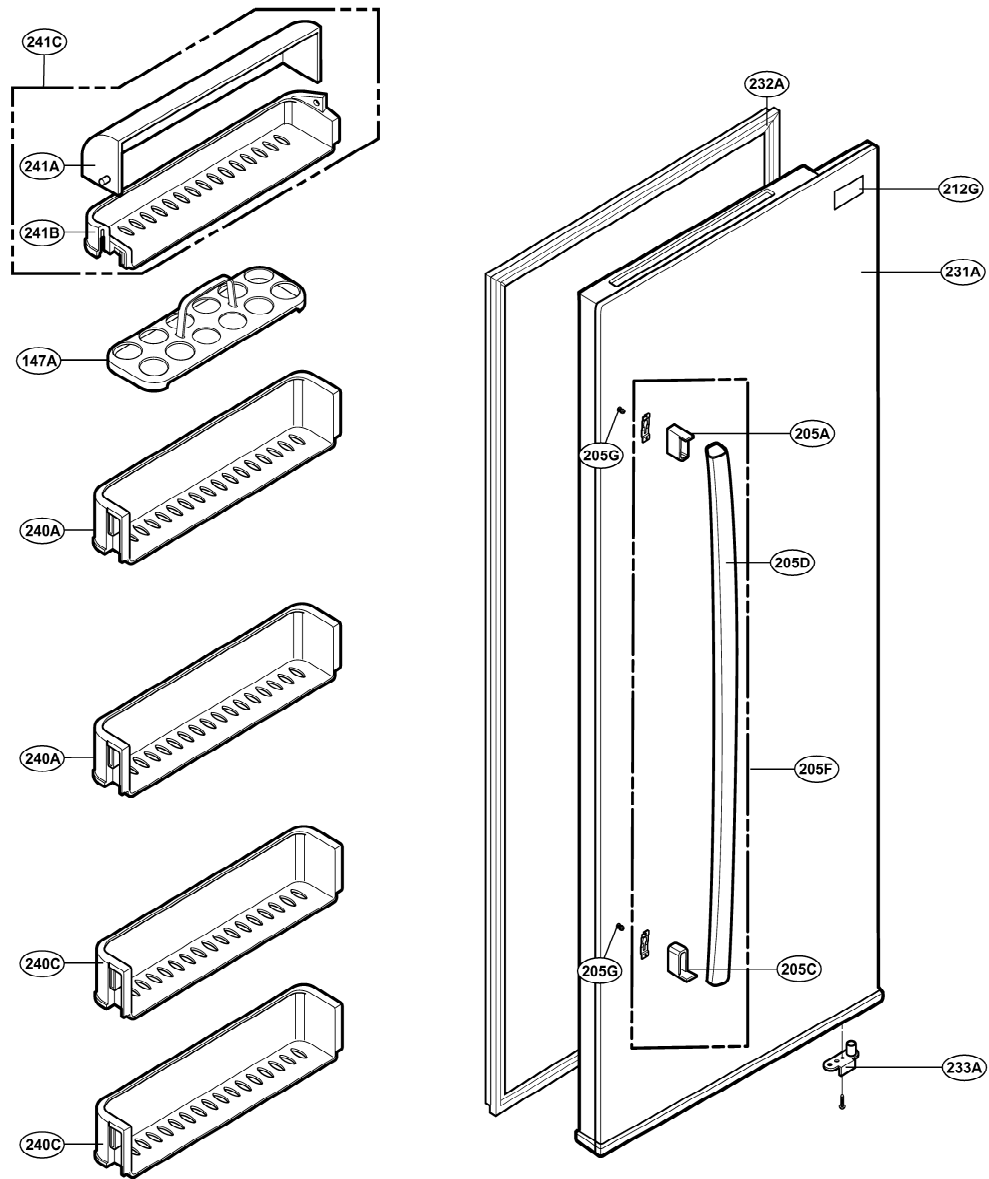
FREEZER DOOR PART  
Ref No.: G S3159\*\*J\*



# EXPLODED VIEW

## REFRIGERATOR DOOR PART

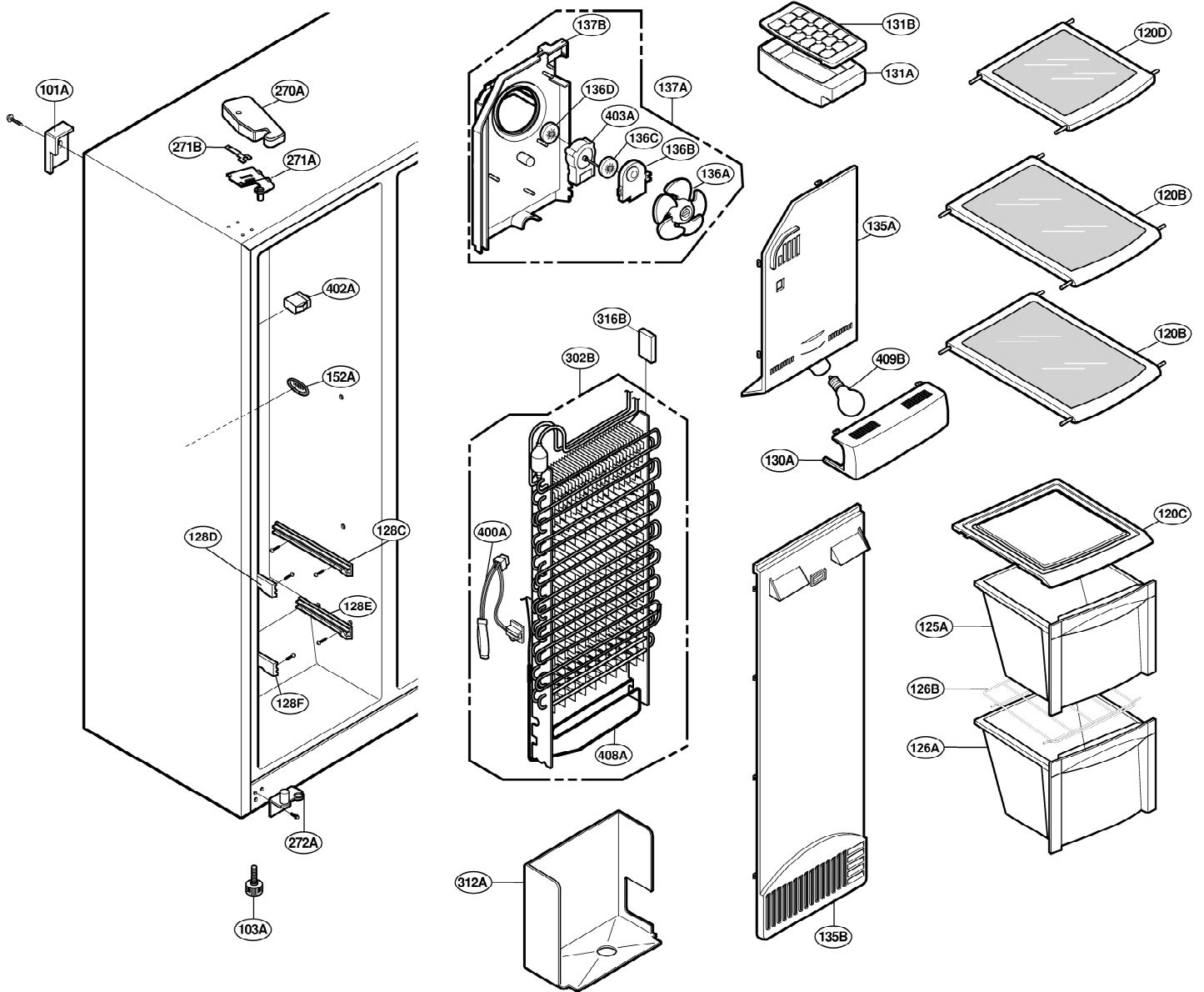
Ref No.: GS3159\*\*(E/F/G/H/J)\*



# EXPLODED VIEW

## FREEZER COMPARTMENT

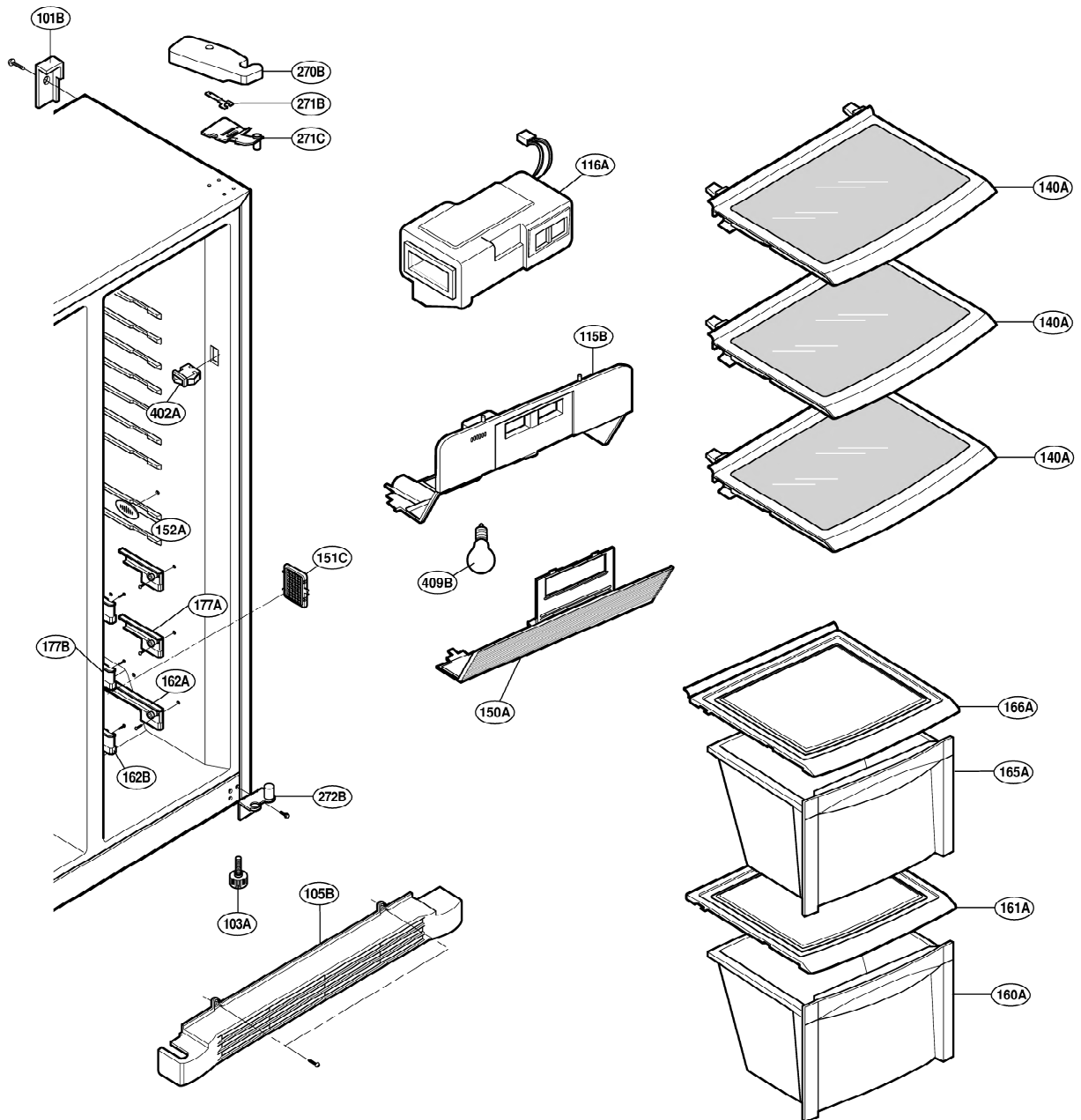
Ref No.: GS3159\*\*J\*



# EXPLODED VIEW

## REFRIGERATOR COMPARTMENT

Ref No.: GS3159\*\*J\*



# EXPLODED VIEW

## MACHINE COMPARTMENT

Ref No.: G S3159\*\*(E/F/G/H/J)V

