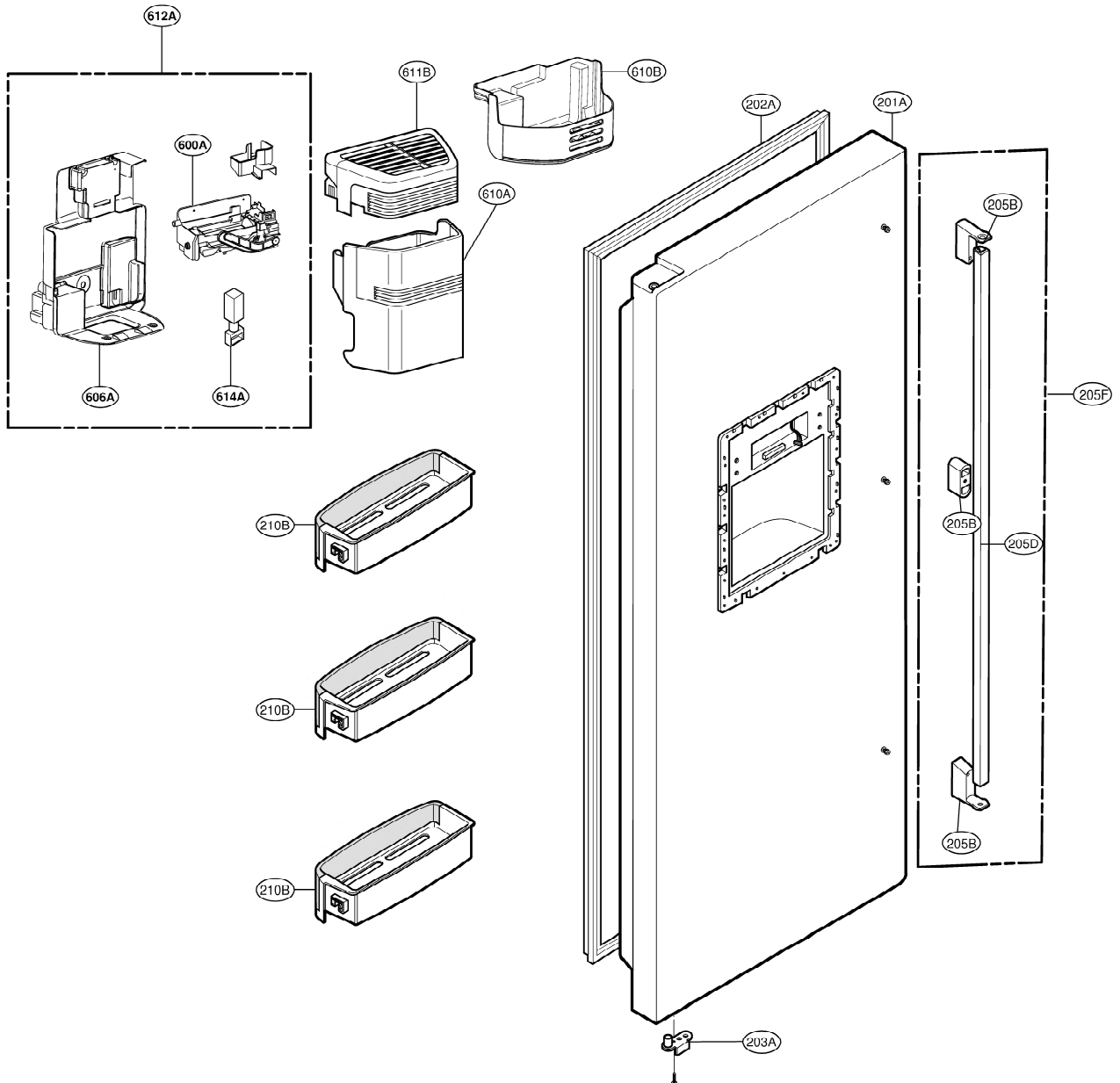


EXPLODED VIEW

FREEZER DOOR PART

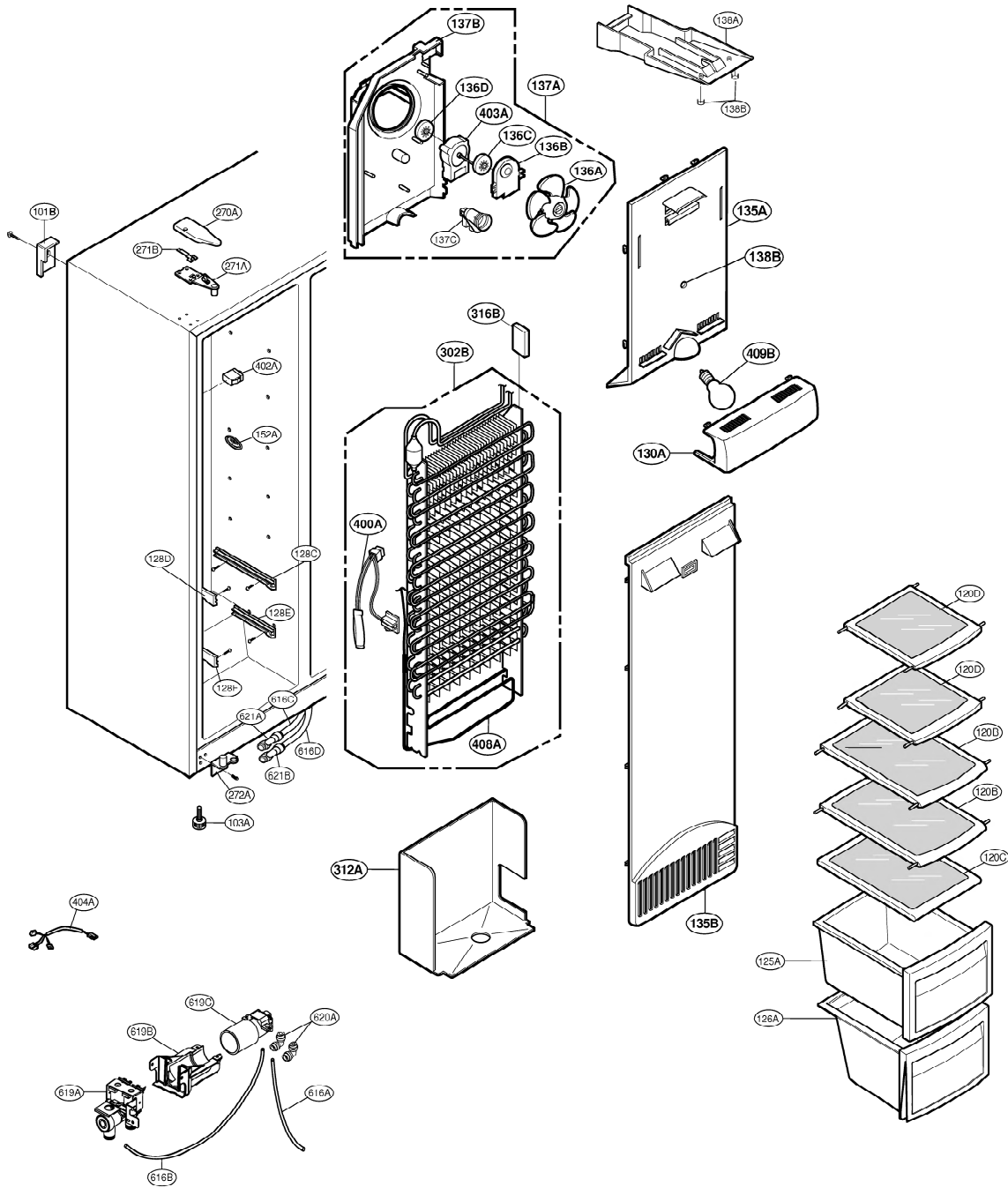
Ref No.: GS5*62***Z / GS5*63***Z



EXPLODED VIEW

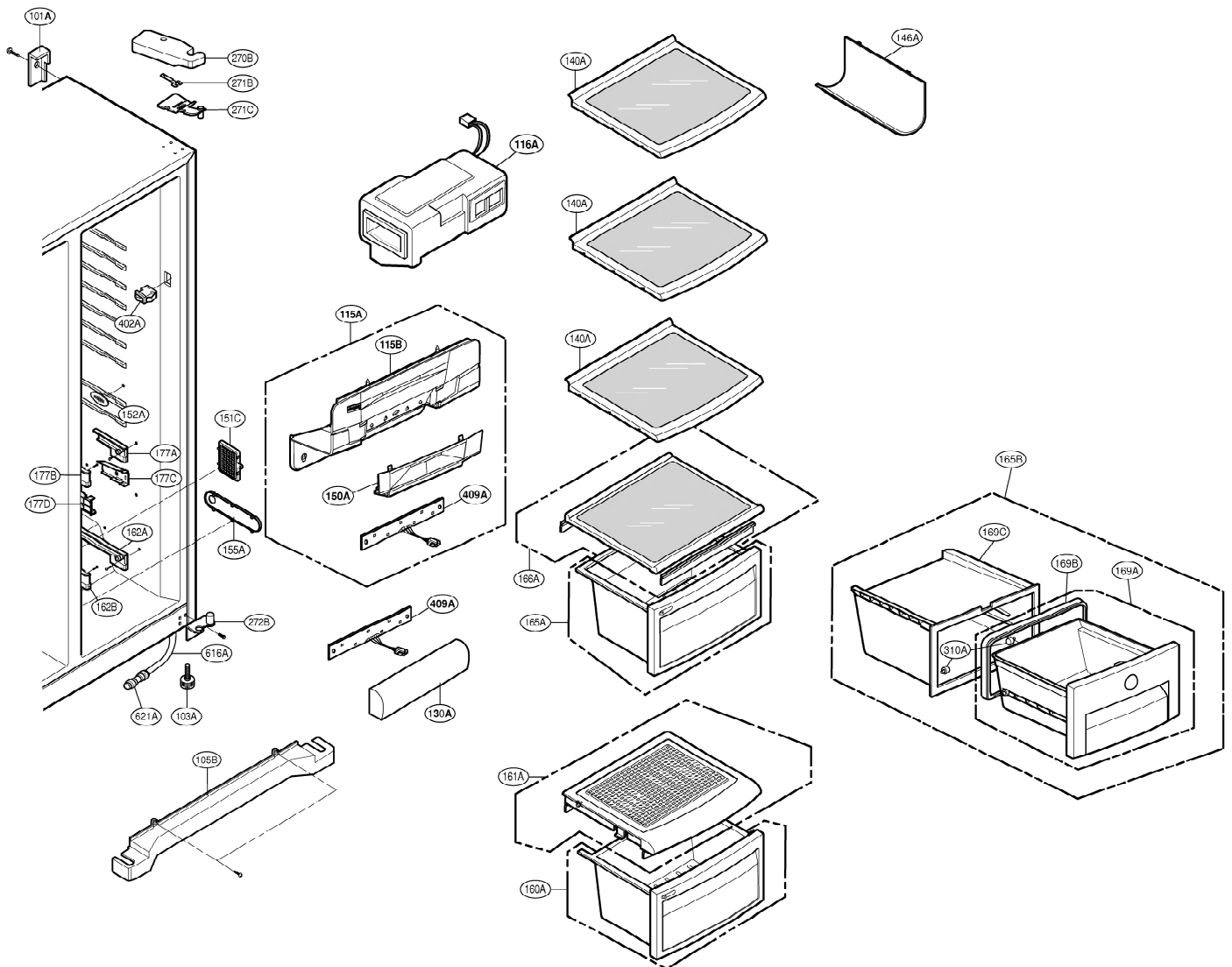
FREEZER COMPARTMENT

Ref No.: GS516*****



EXPLODED VIEW

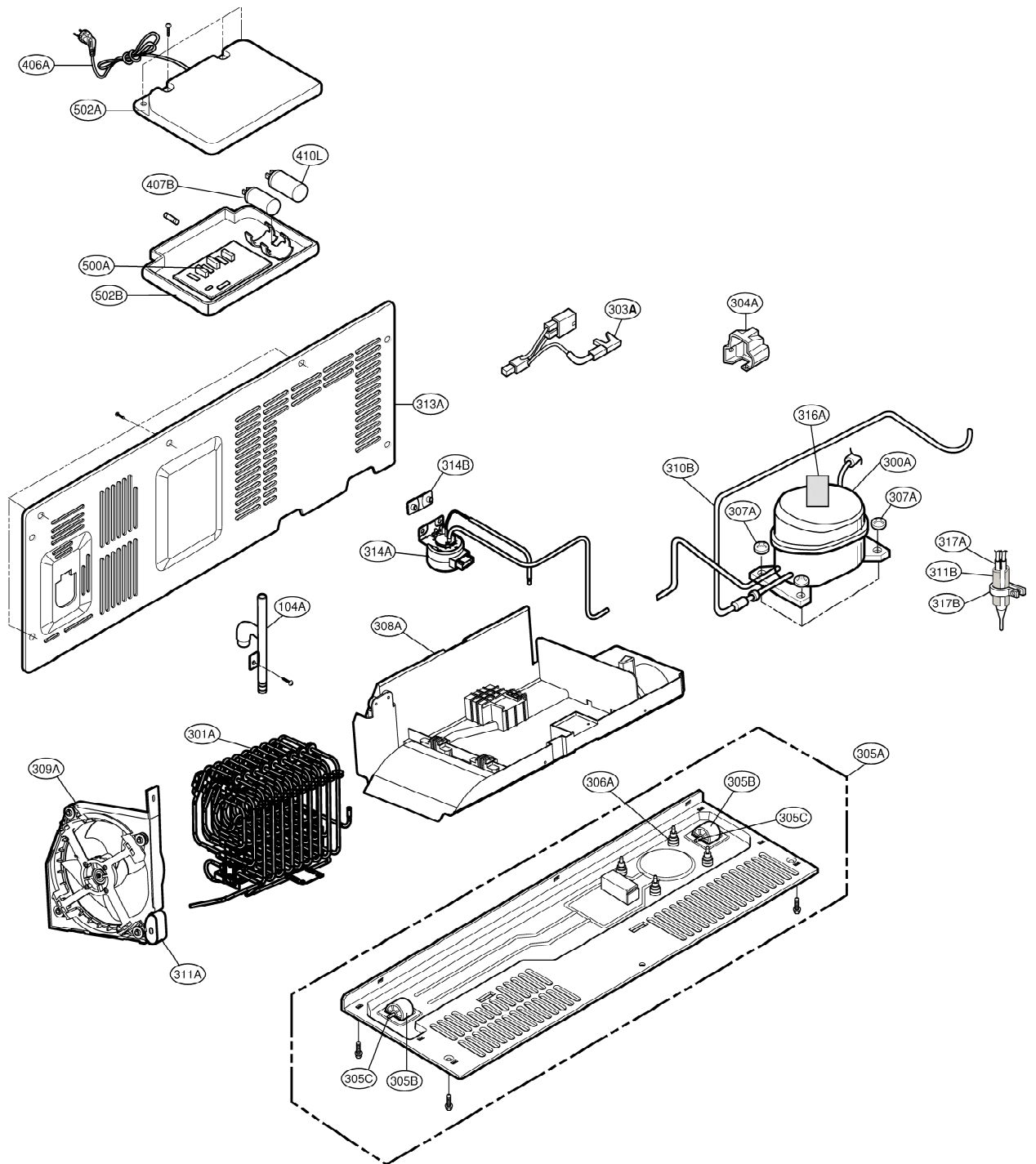
REFRIGERATOR COMPARTMENT



EXPLODED VIEW

MACHINE COMPARTMENT

Ref No.: GS516***Z



EXPLODED VIEW

DISPENSER PART

Ref No.: GS5*62****/GS5*63****

