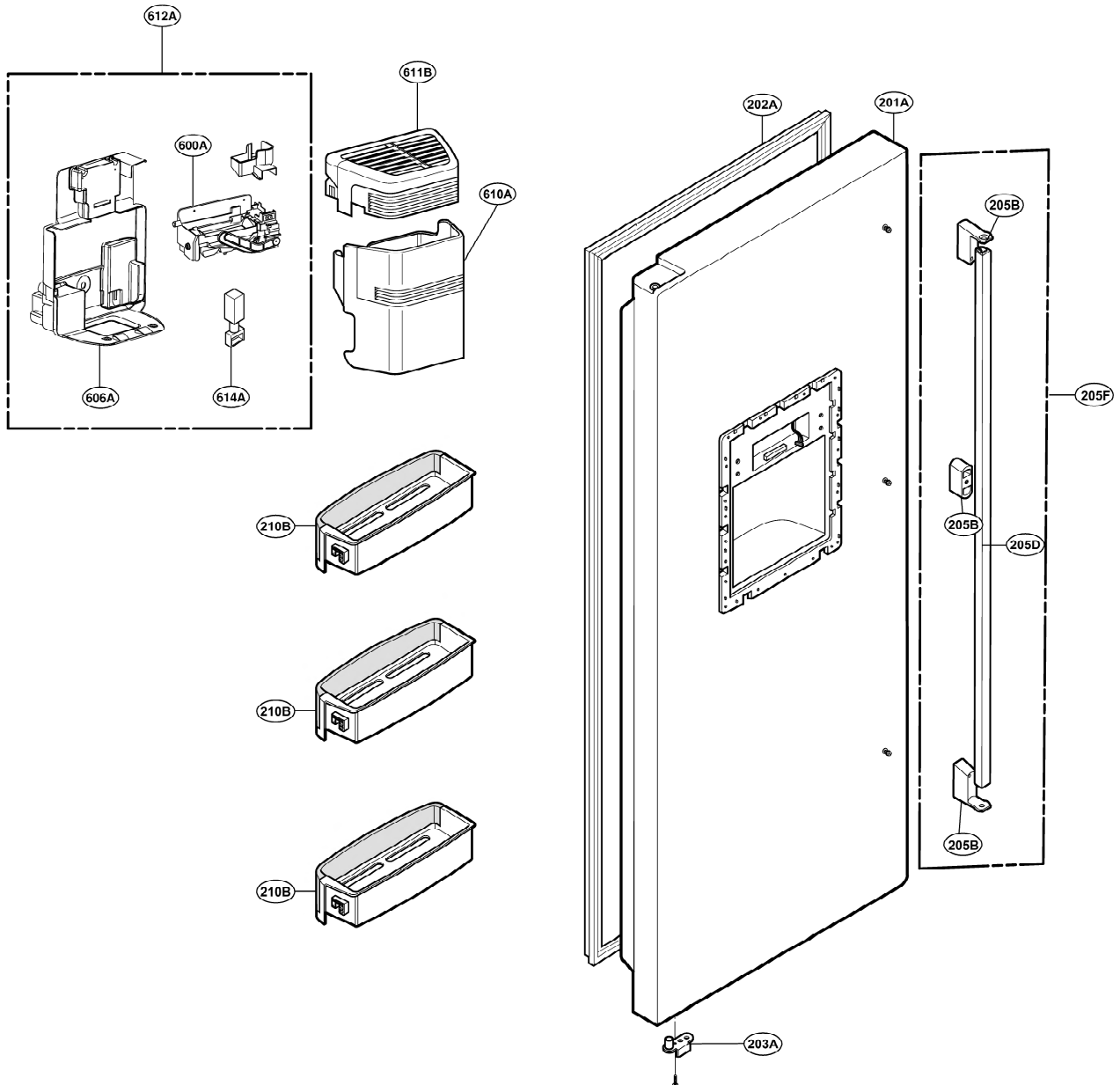


# EXPLODED VIEW

## FREEZER DOOR PART

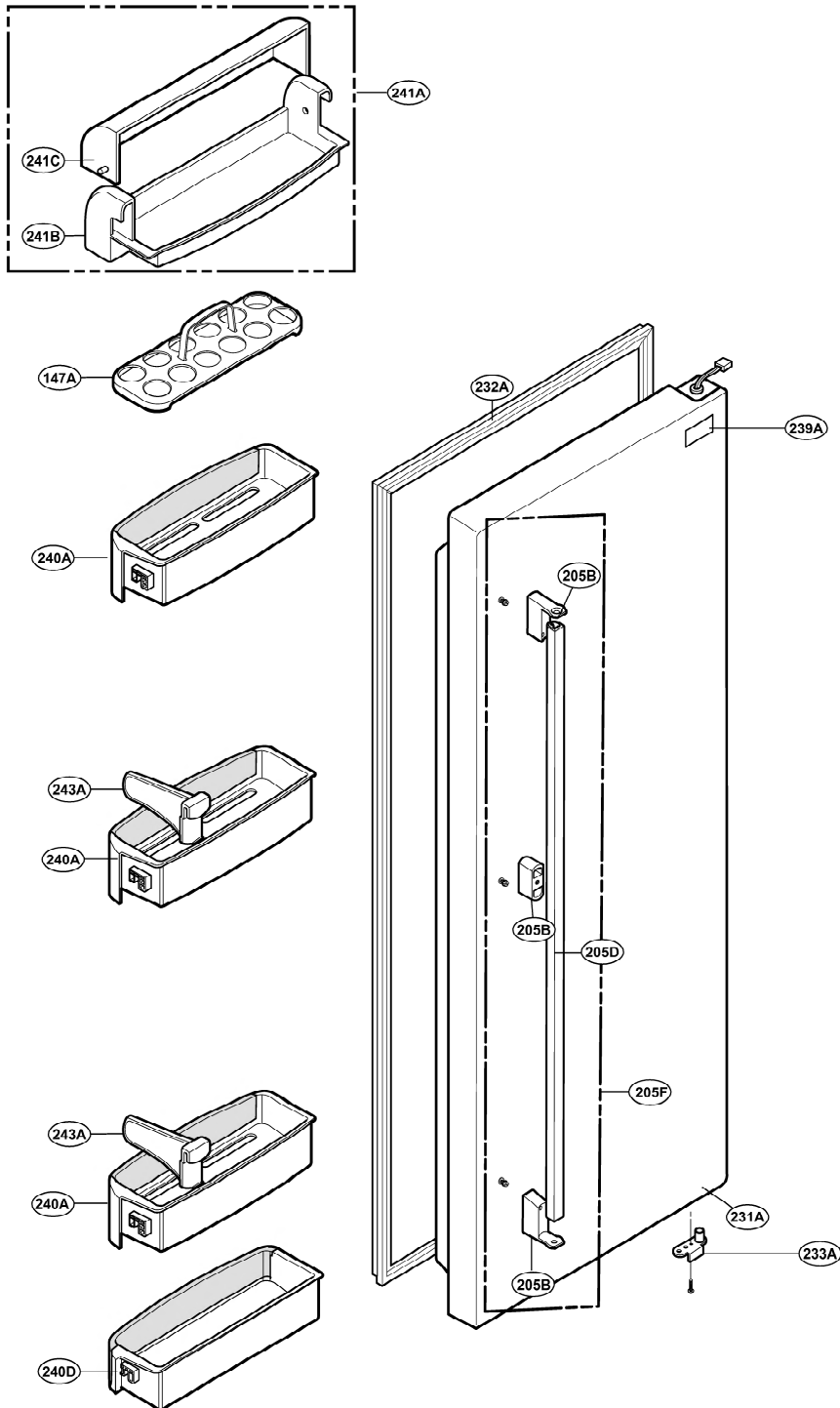
Ref No.: GS5\*62\*\*\*V / GS5\*63\*\*\*V



# EXPLODED VIEW

## REFRIGERATOR DOOR PART

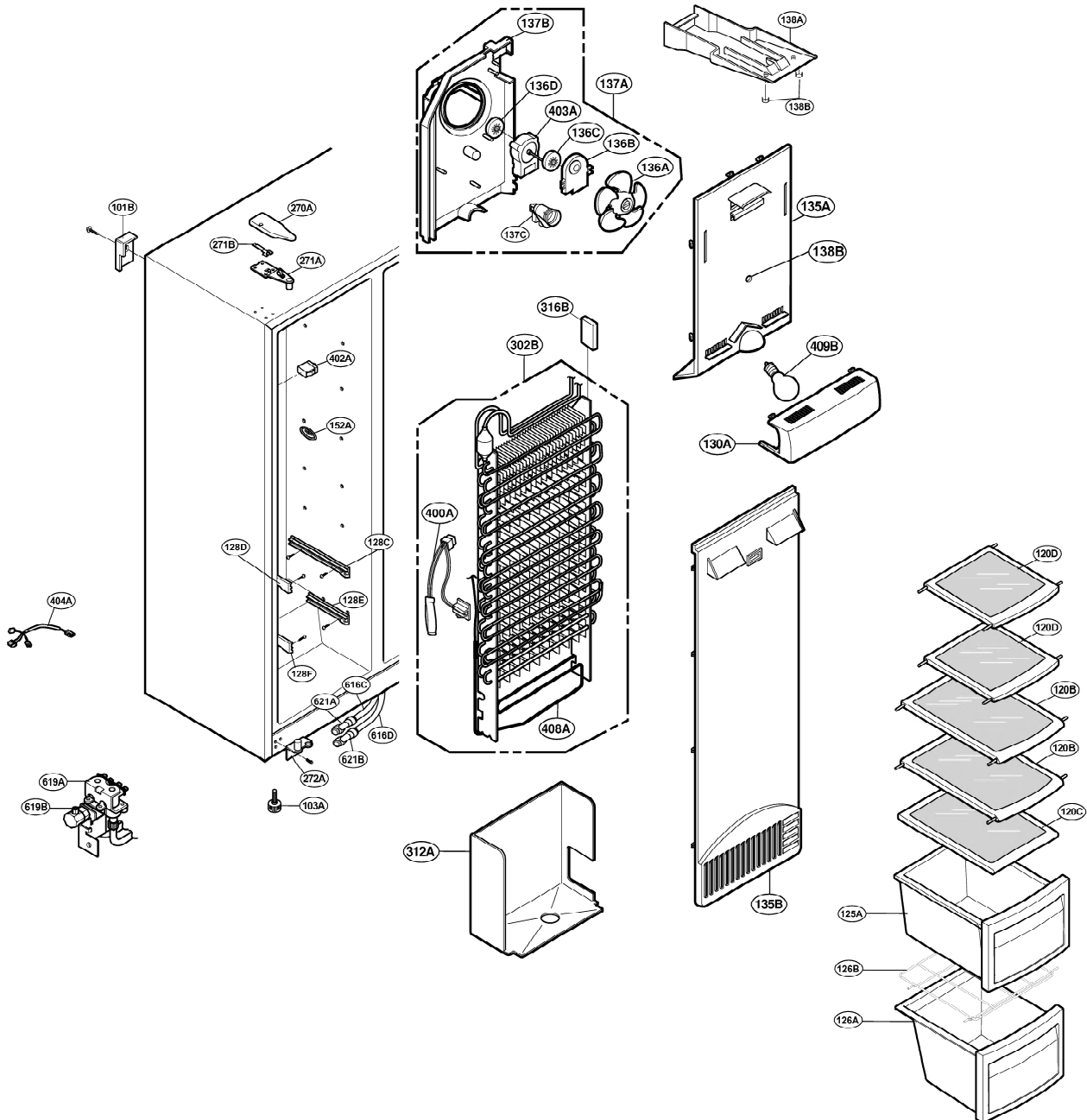
Ref No.: GS5\*63\*\*(A-K)\* / GS5\*64\*\*\*\*



# EXPLODED VIEW

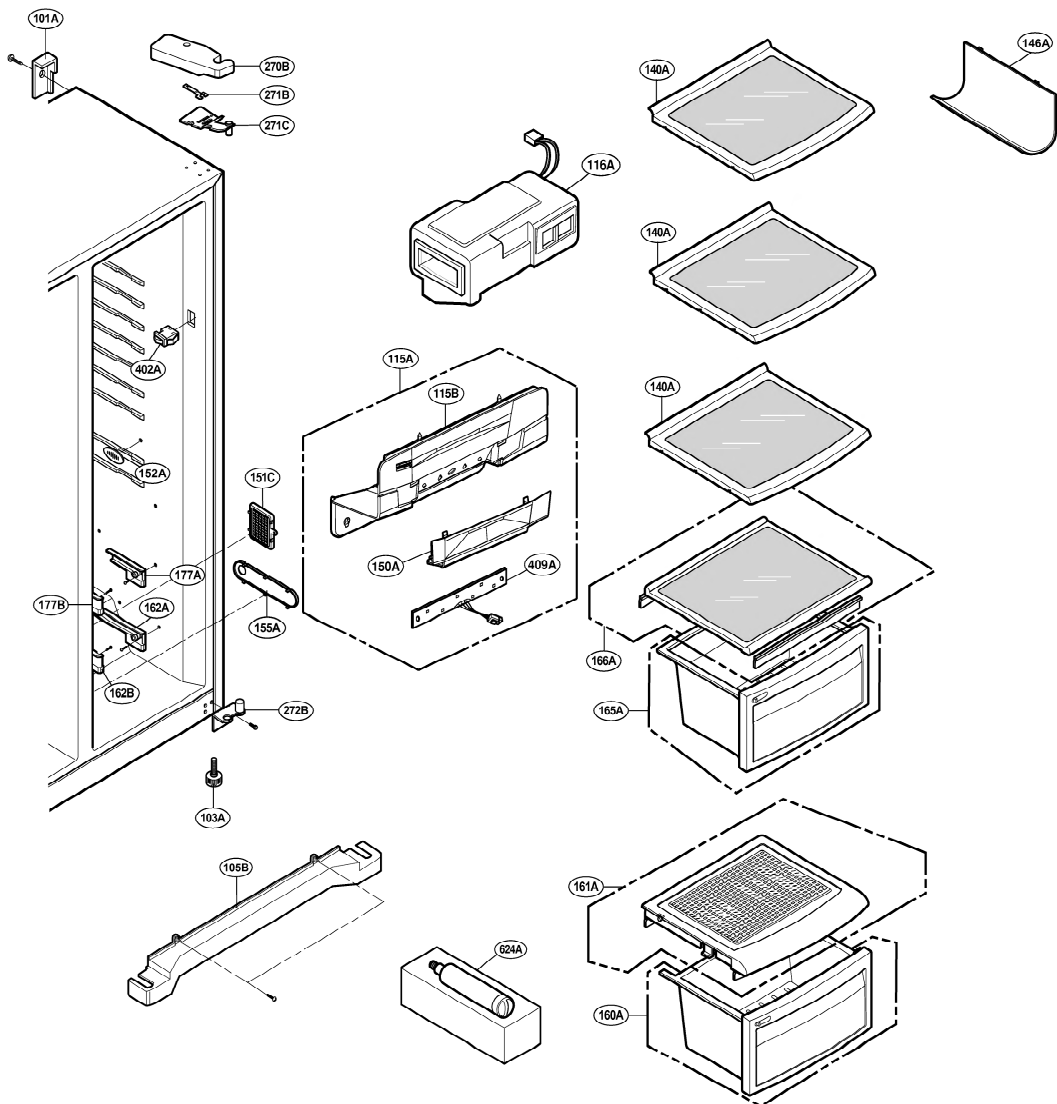
## FREEZER COMPARTMENT

Ref No.: GS516\*\*\*\*\*



# EXPLODED VIEW

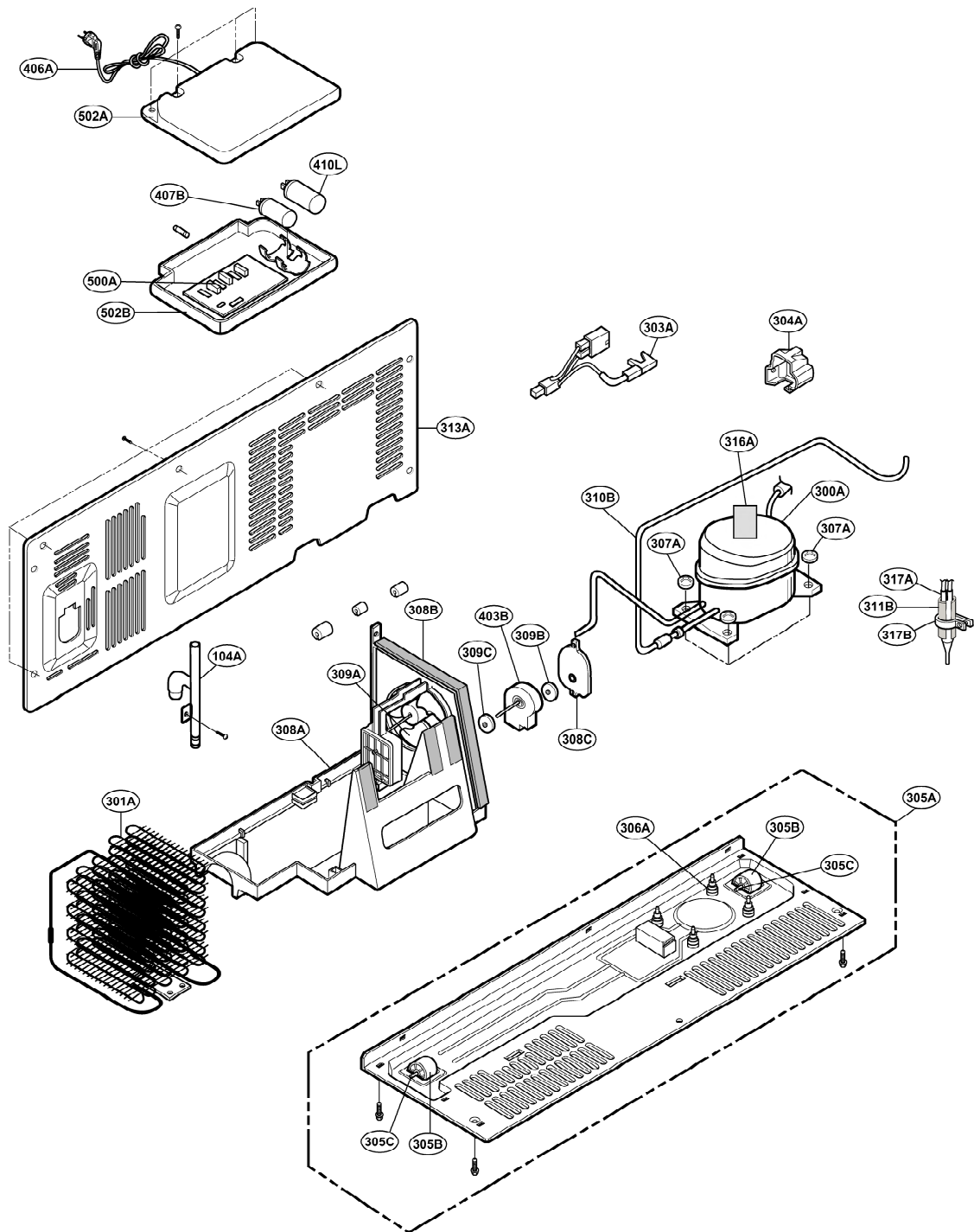
## REFRIGERATOR COMPARTMENT



# EXPLODED VIEW

## MACHINE COMPARTMENT

Ref No.: GS516\*\*\*V / GS5263\*\*\*V / GS5264\*\*\*V



# EXPLODED VIEW

## DISPENSER PART

Ref No.: GS5\*62\*\*\*\*/GS5\*63\*\*\*\*

