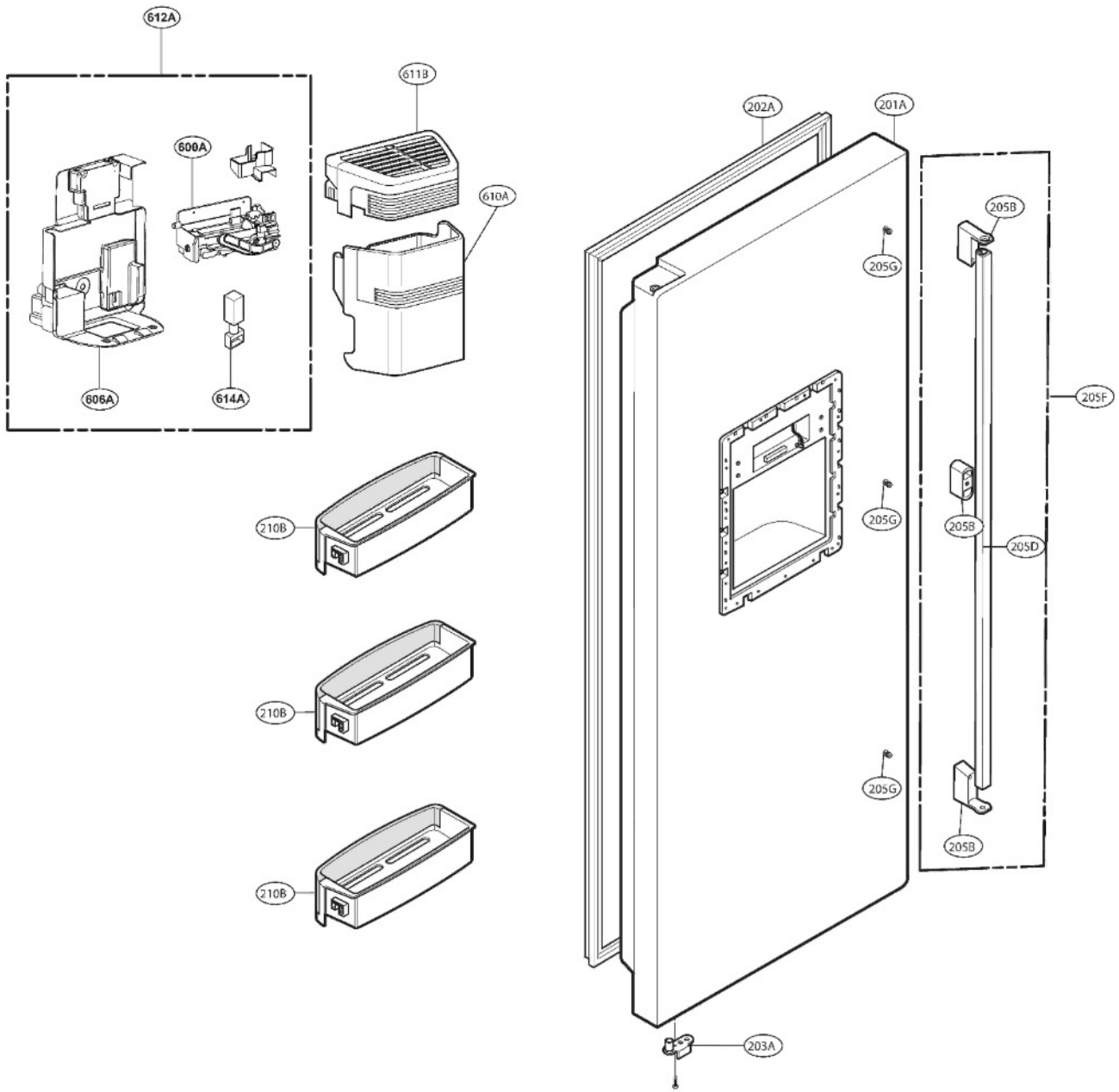


EXPLODED VIEW

FREEZER DOOR PART

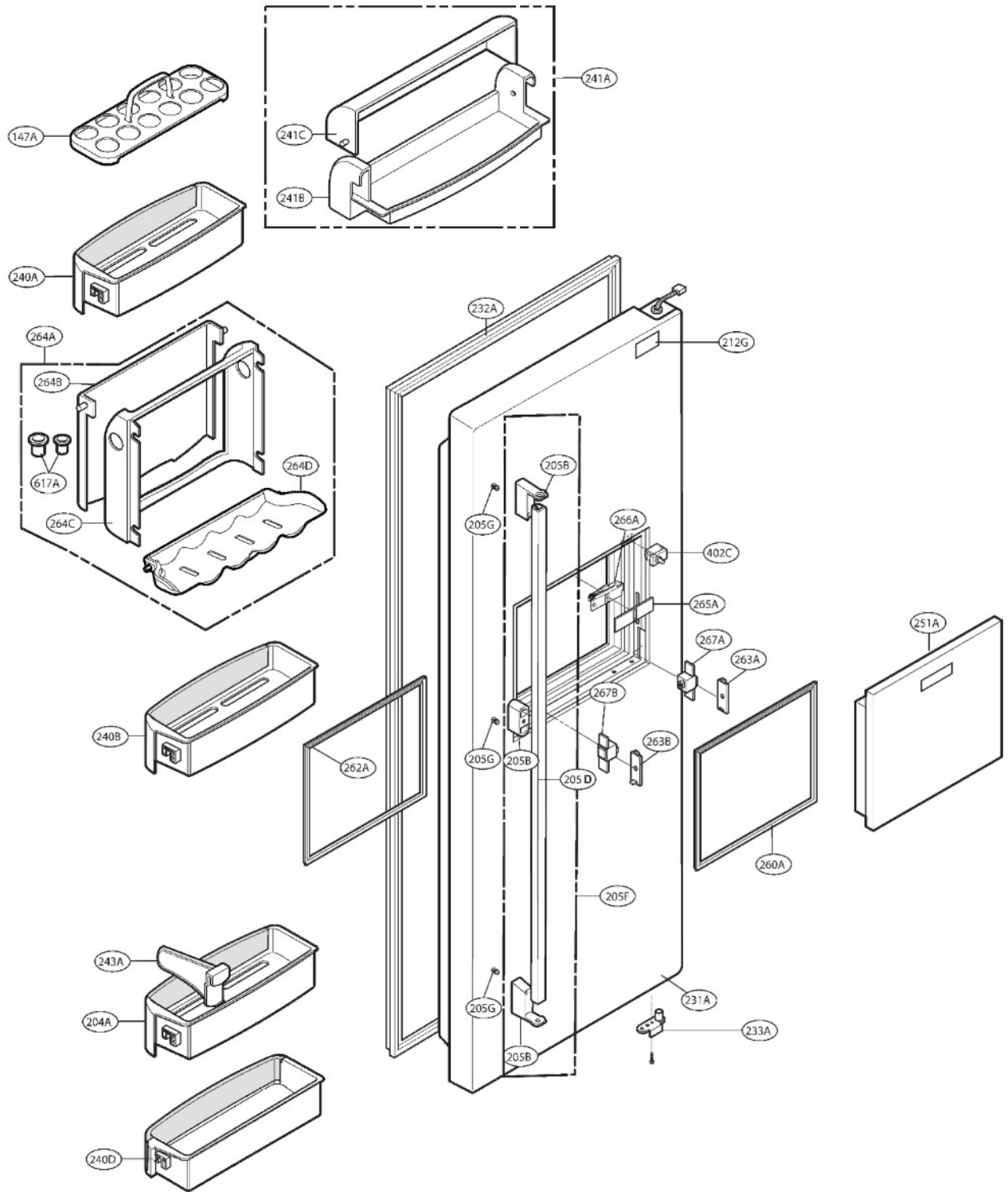
Ref No.: GS5*62***V / GS5*63***V



EXPLODED VIEW

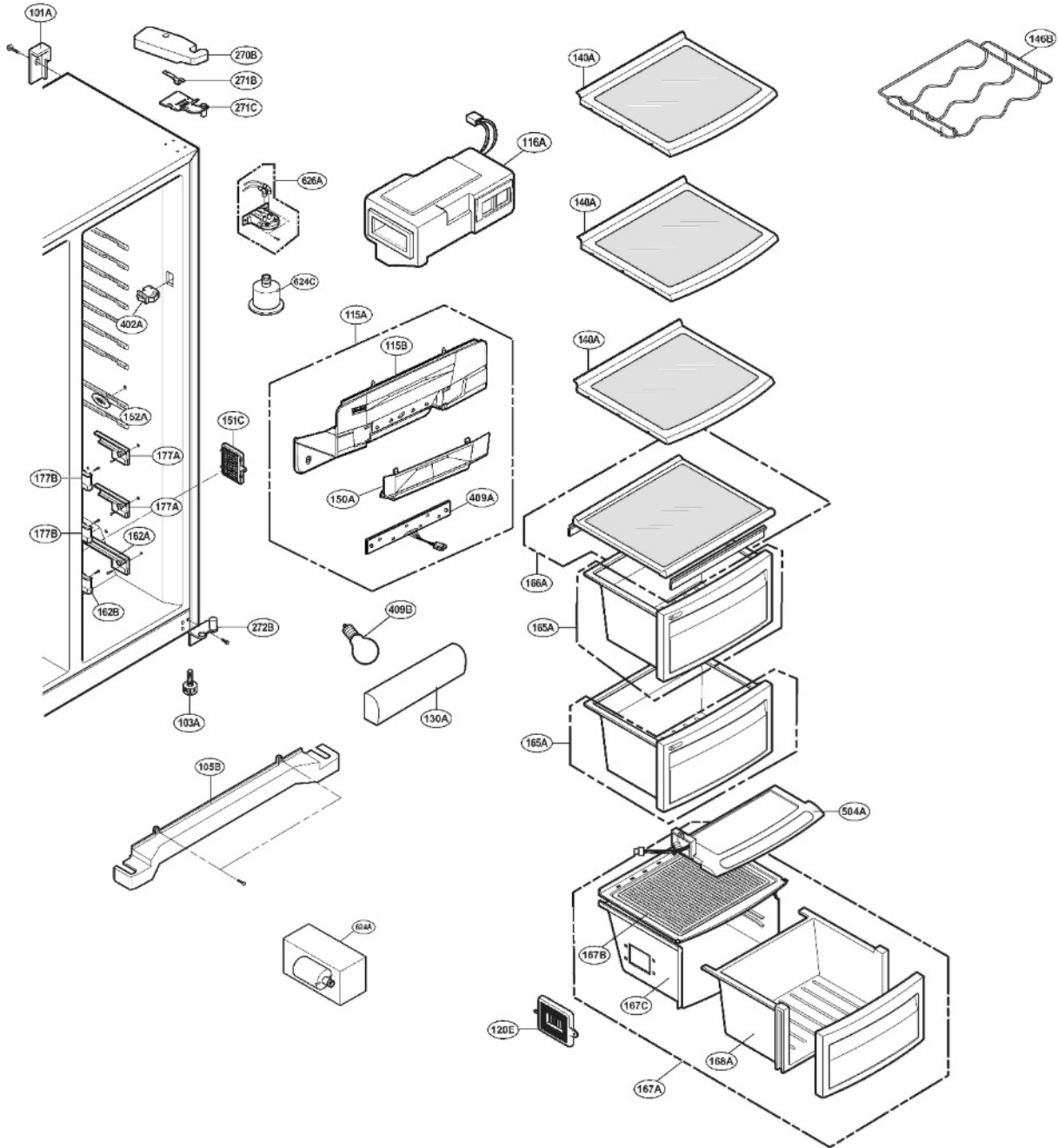
REFRIGERATOR DOOR PART

Ref No.: GS5*62**(A-K)*



EXPLODED VIEW

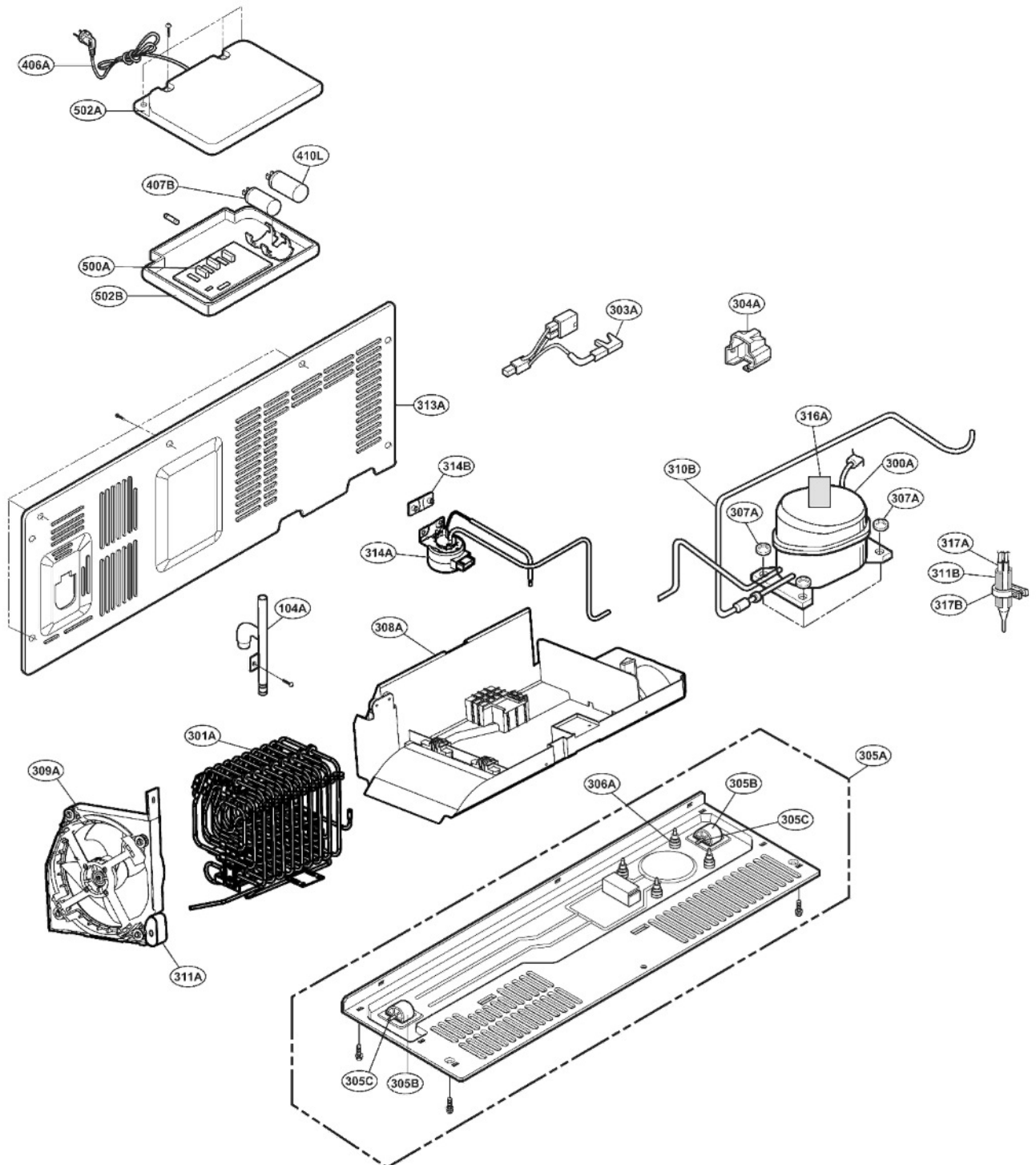
REFRIGERATOR COMPARTMENT



EXPLODED VIEW

MACHINE COMPARTMENT

Ref No.: GS516****Z



EXPLODED VIEW

DISPENSER PART

Ref No.: GS5*62****/GS5*63****

