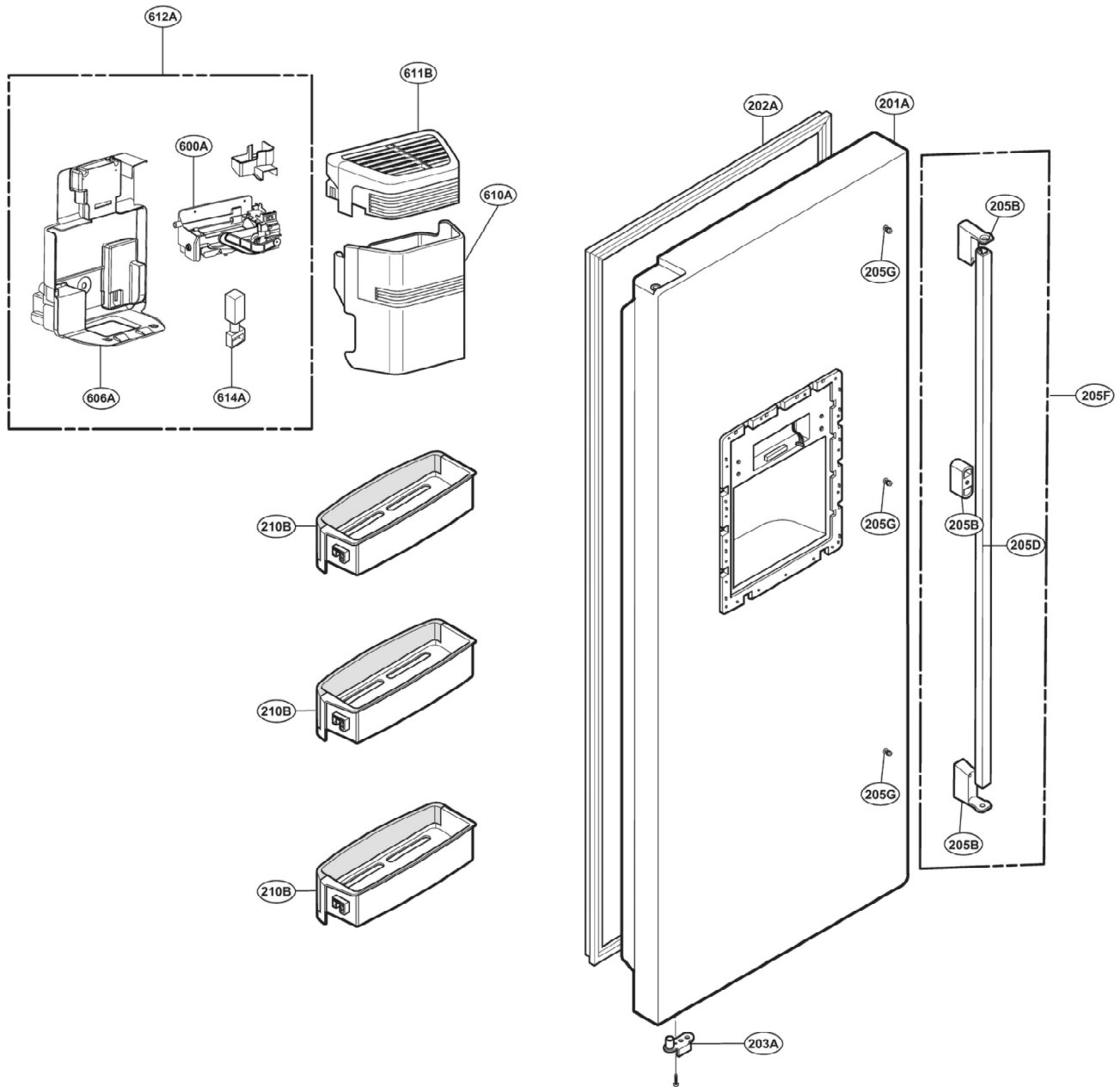


EXPLODED VIEW

FREEZER DOOR PART

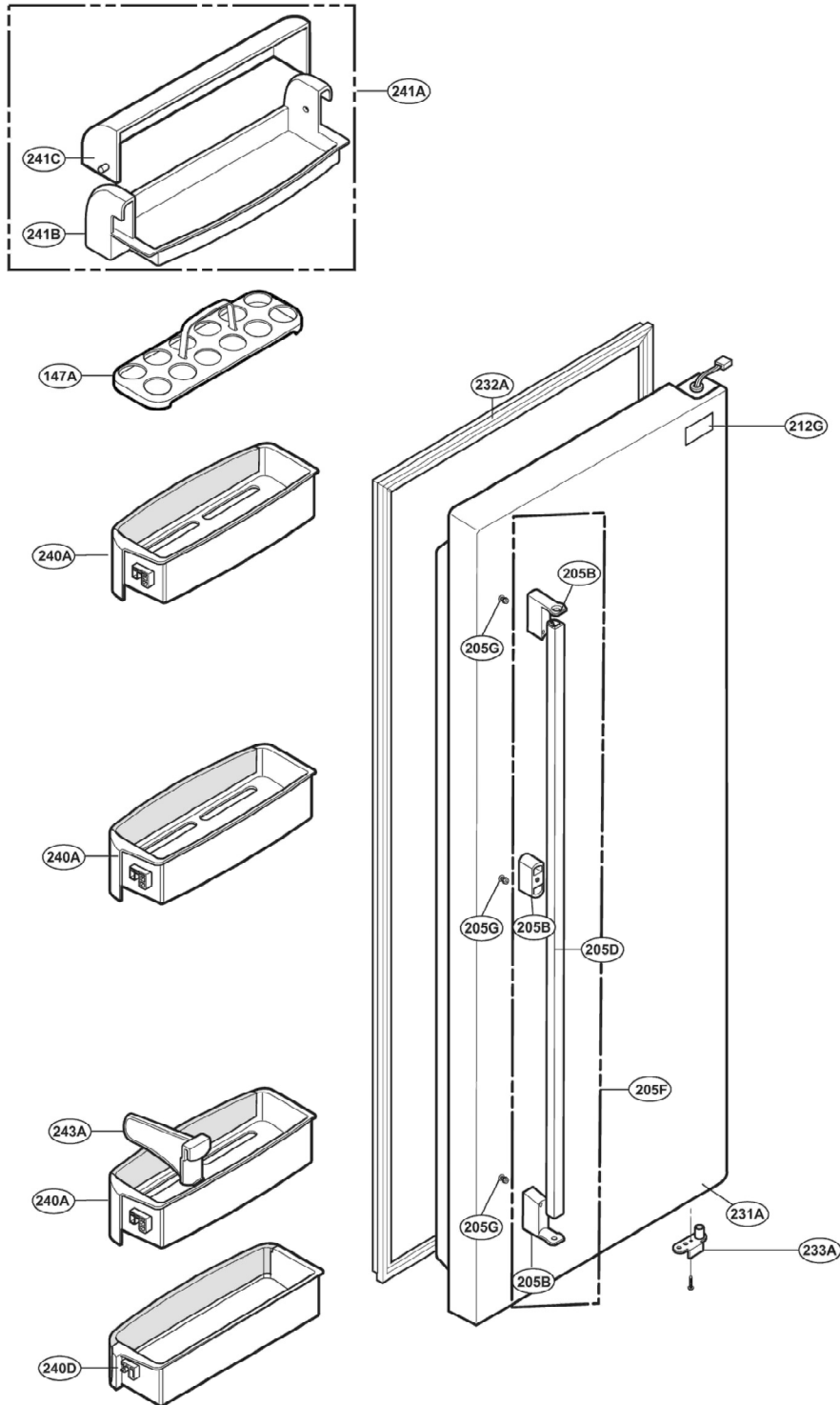
Ref No.: GS5*62***V / GS5*63***V



EXPLODED VIEW

REFRIGERATOR DOOR PART

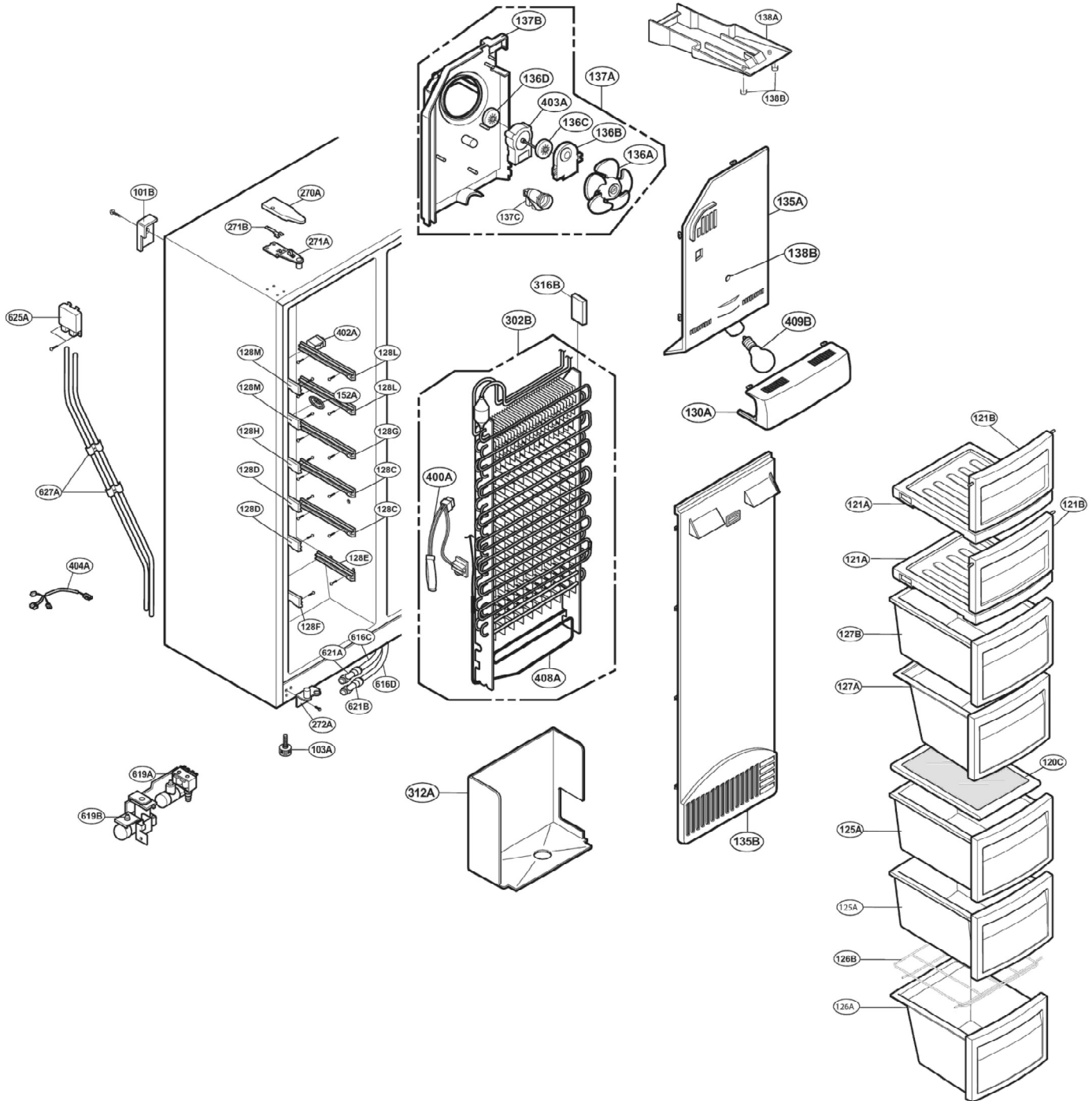
Ref No.: GS5*63**(A-K)* / GS5*64****



EXPLODED VIEW

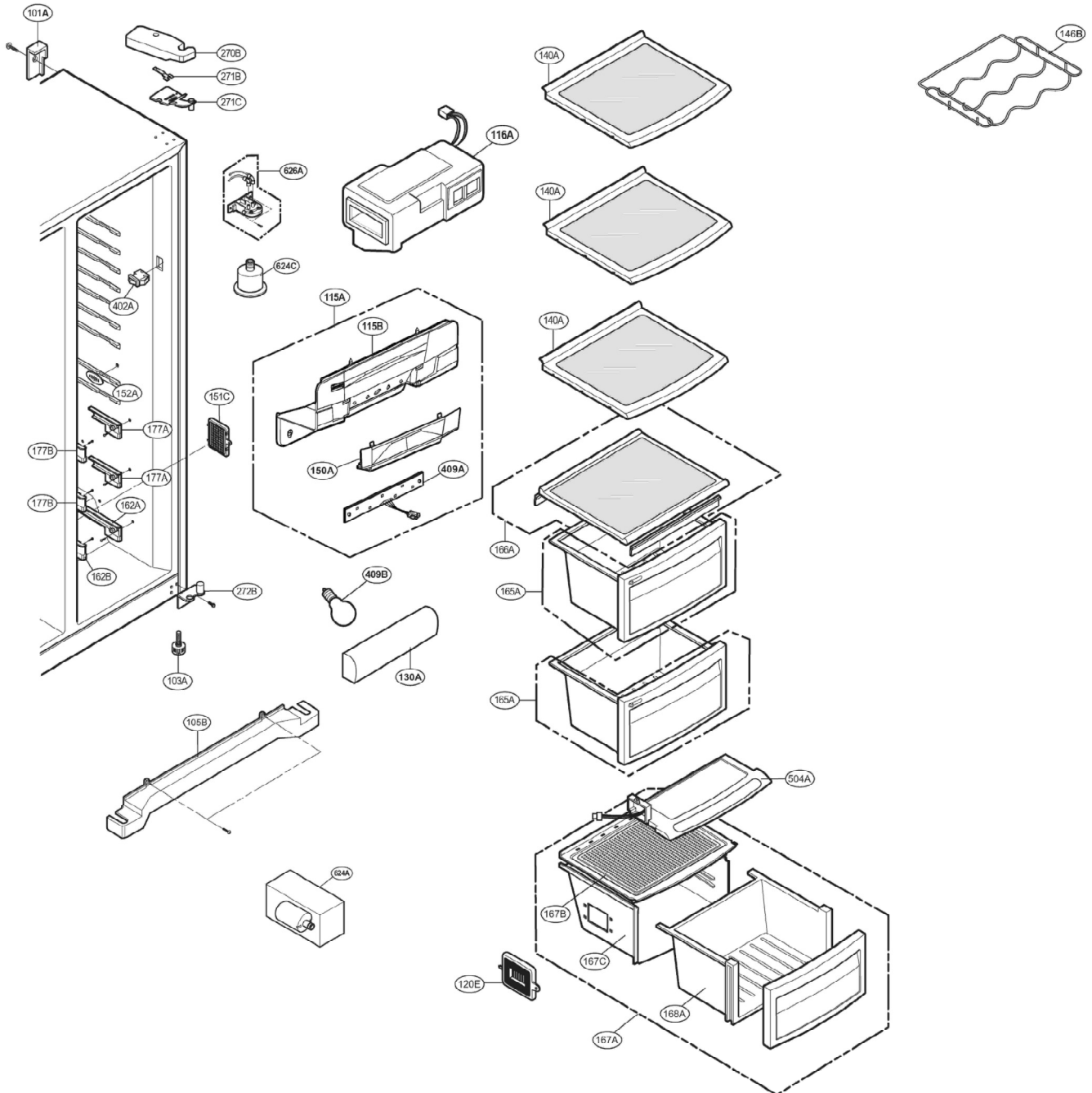
FREEZER COMPARTMENT

Ref No.: GS526*****



EXPLODED VIEW

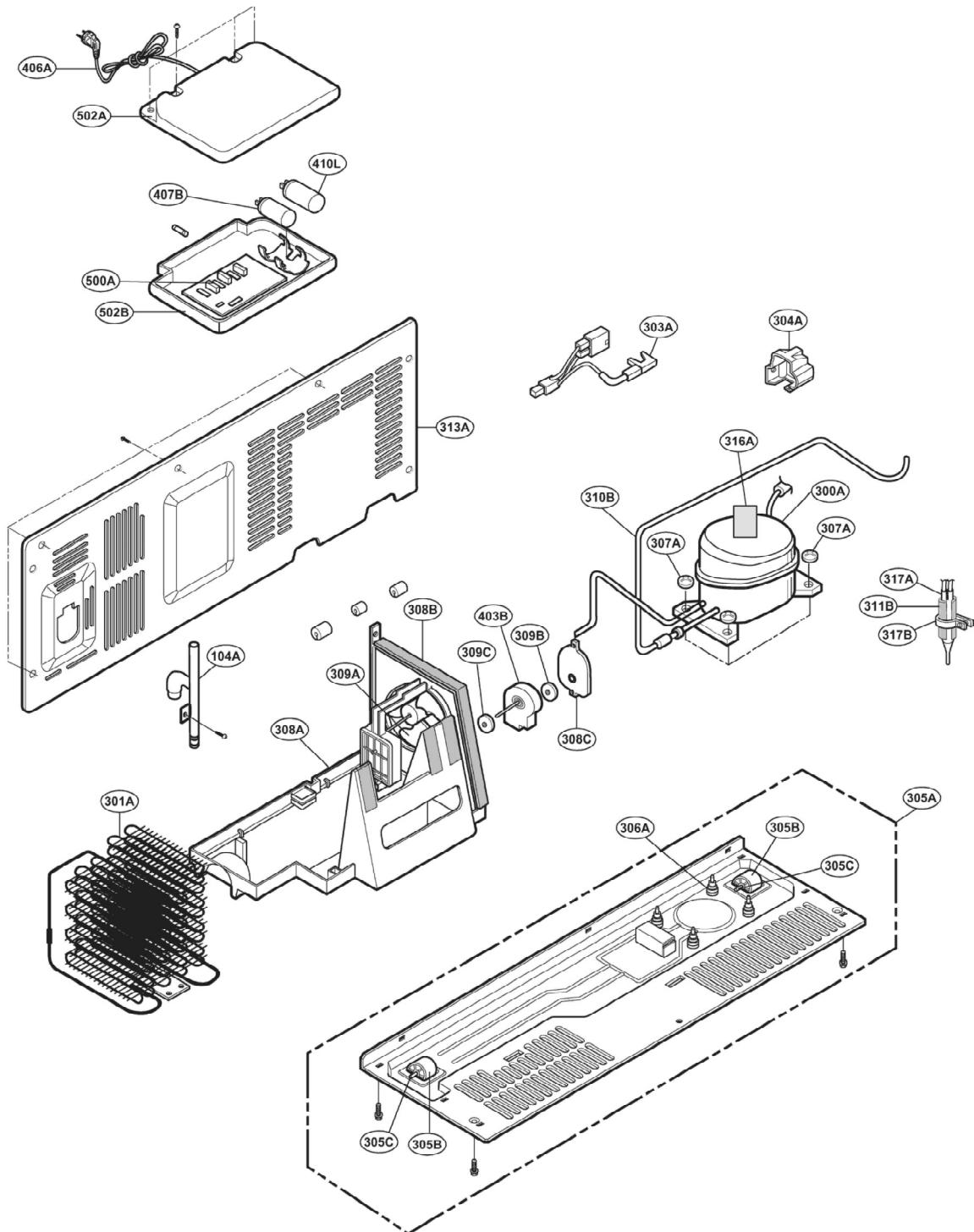
REFRIGERATOR COMPARTMENT



EXPLODED VIEW

MACHINE COMPARTMENT

Ref No.: GS516***V / GS5263***V / GS5264***V



EXPLODED VIEW

DISPENSER PART

Ref No.: GS5*62****/GS5*63****

