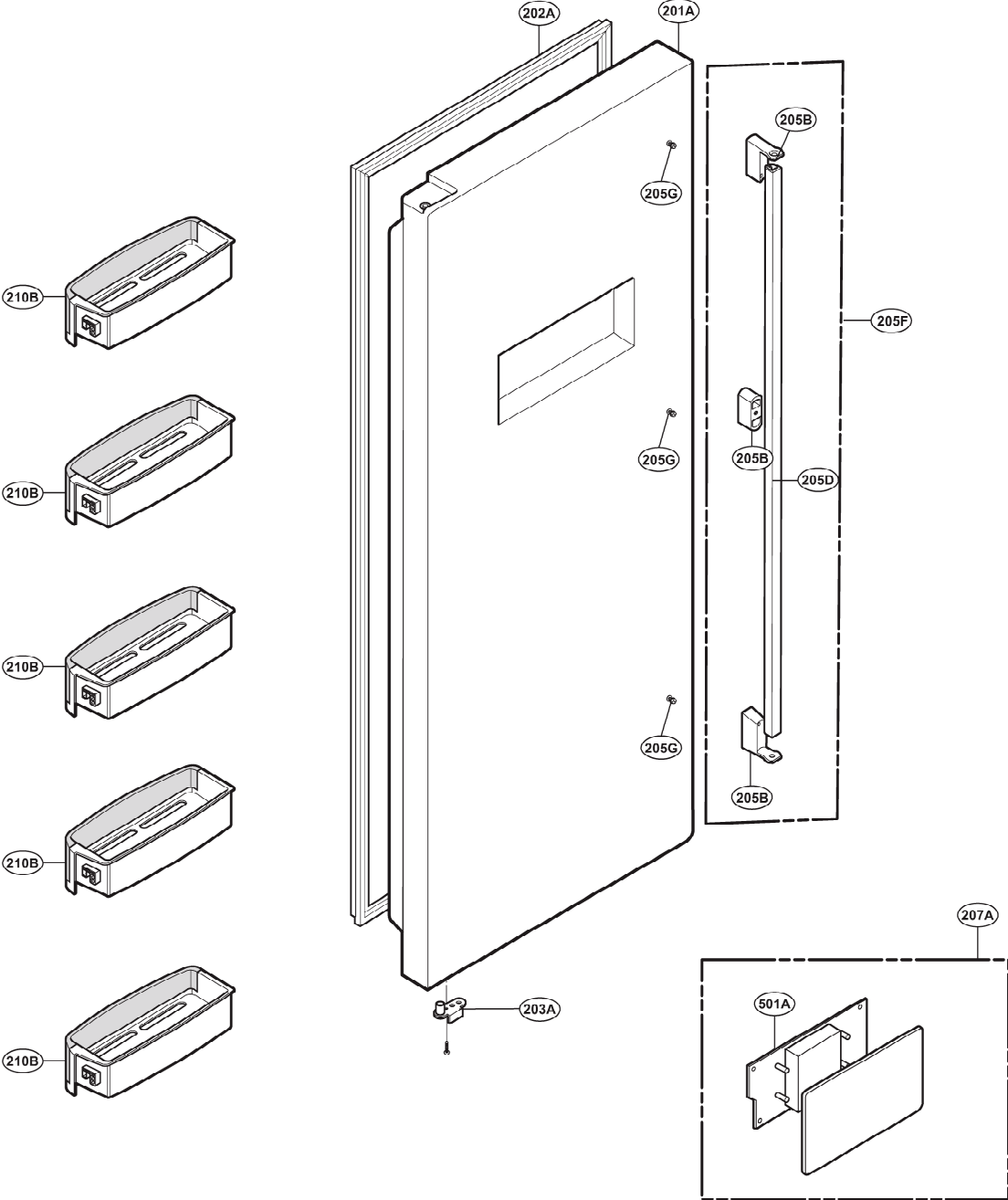


# EXPLODED VIEW

## FREEZER DOOR PART

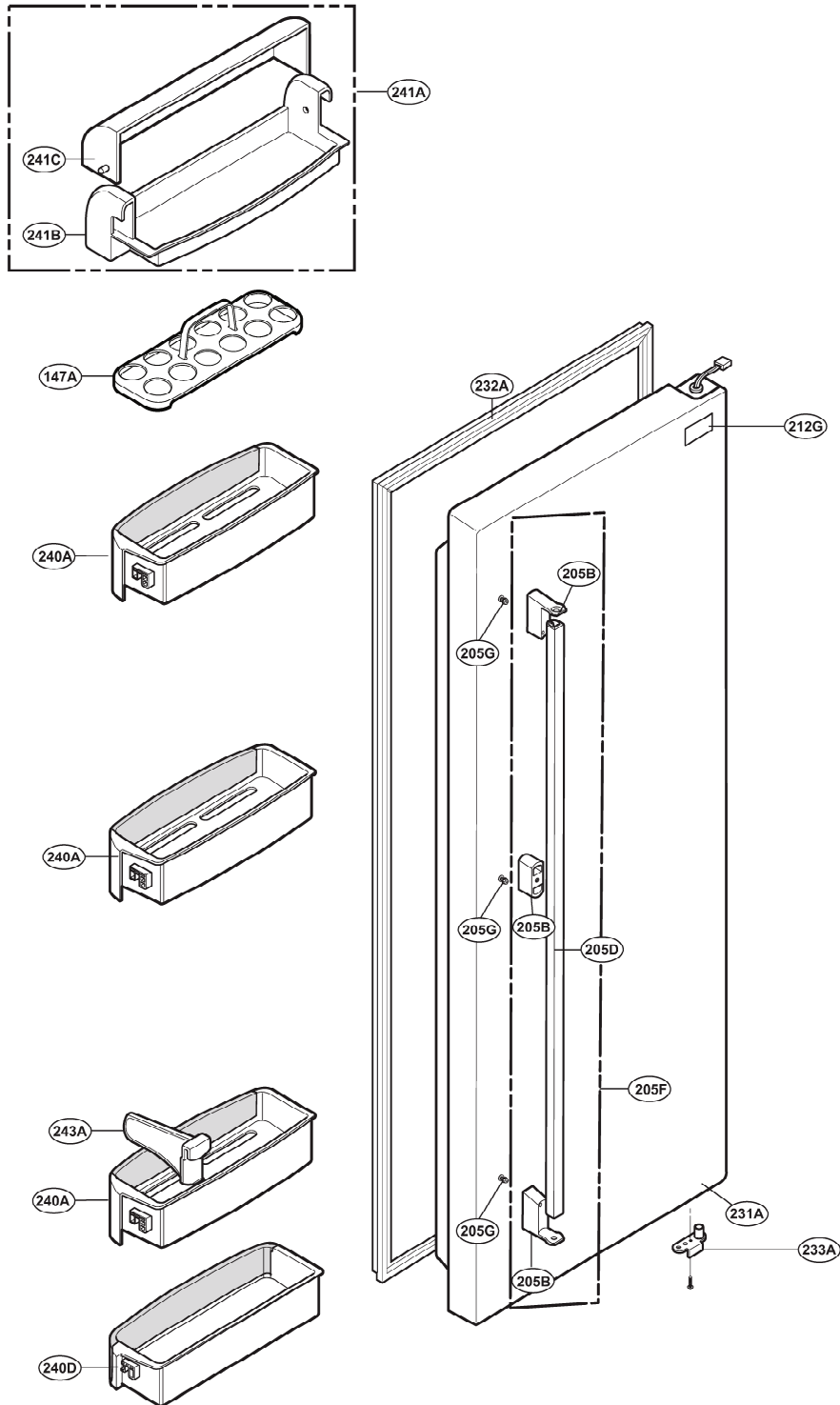
Ref No.: GS5\*64\*\*\*\*



# EXPLODED VIEW

## REFRIGERATOR DOOR PART

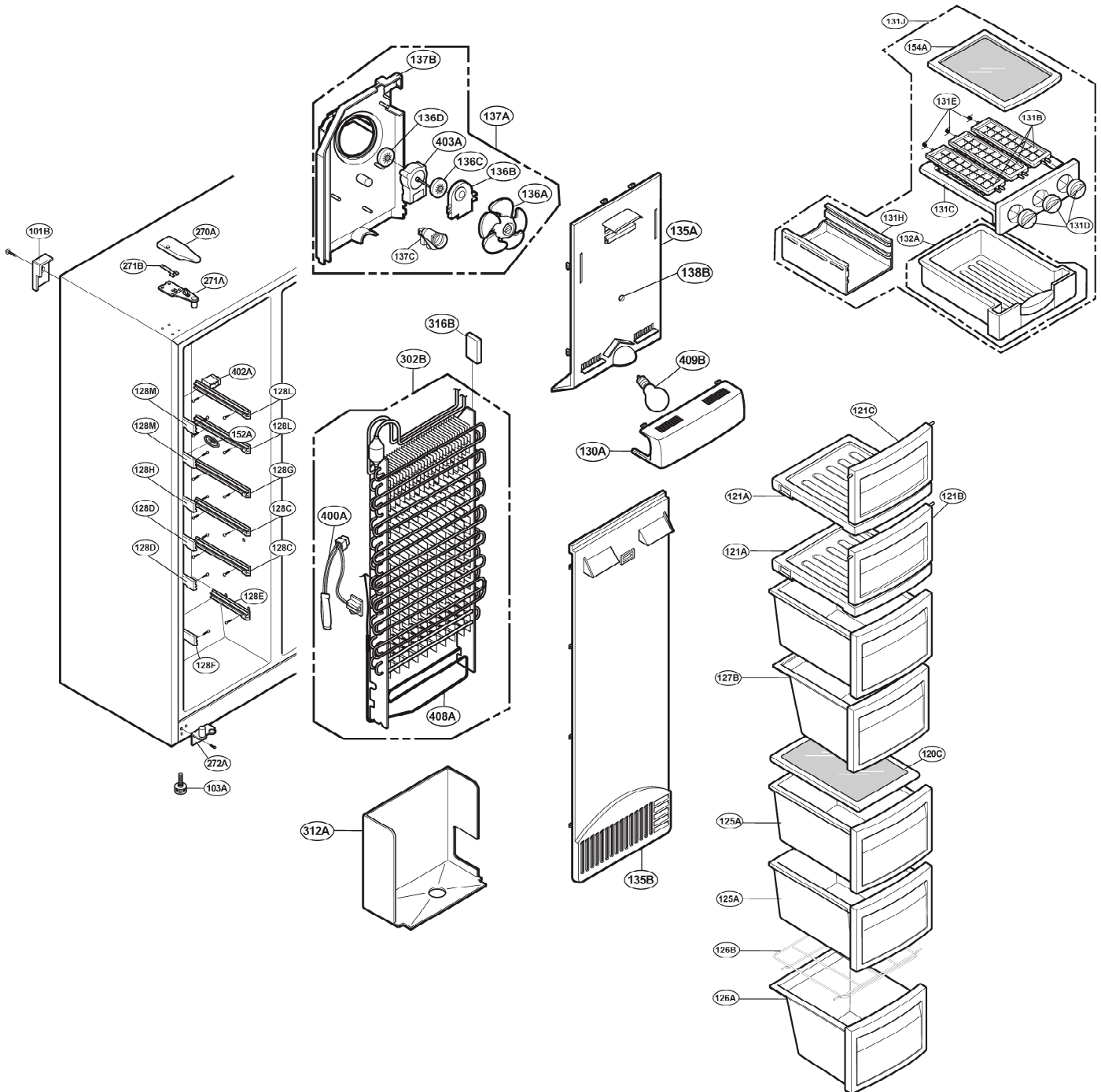
Ref No.: GS5\*63\*\*(A-K)\* / GS5\*64\*\*\*\*



# EXPLODED VIEW

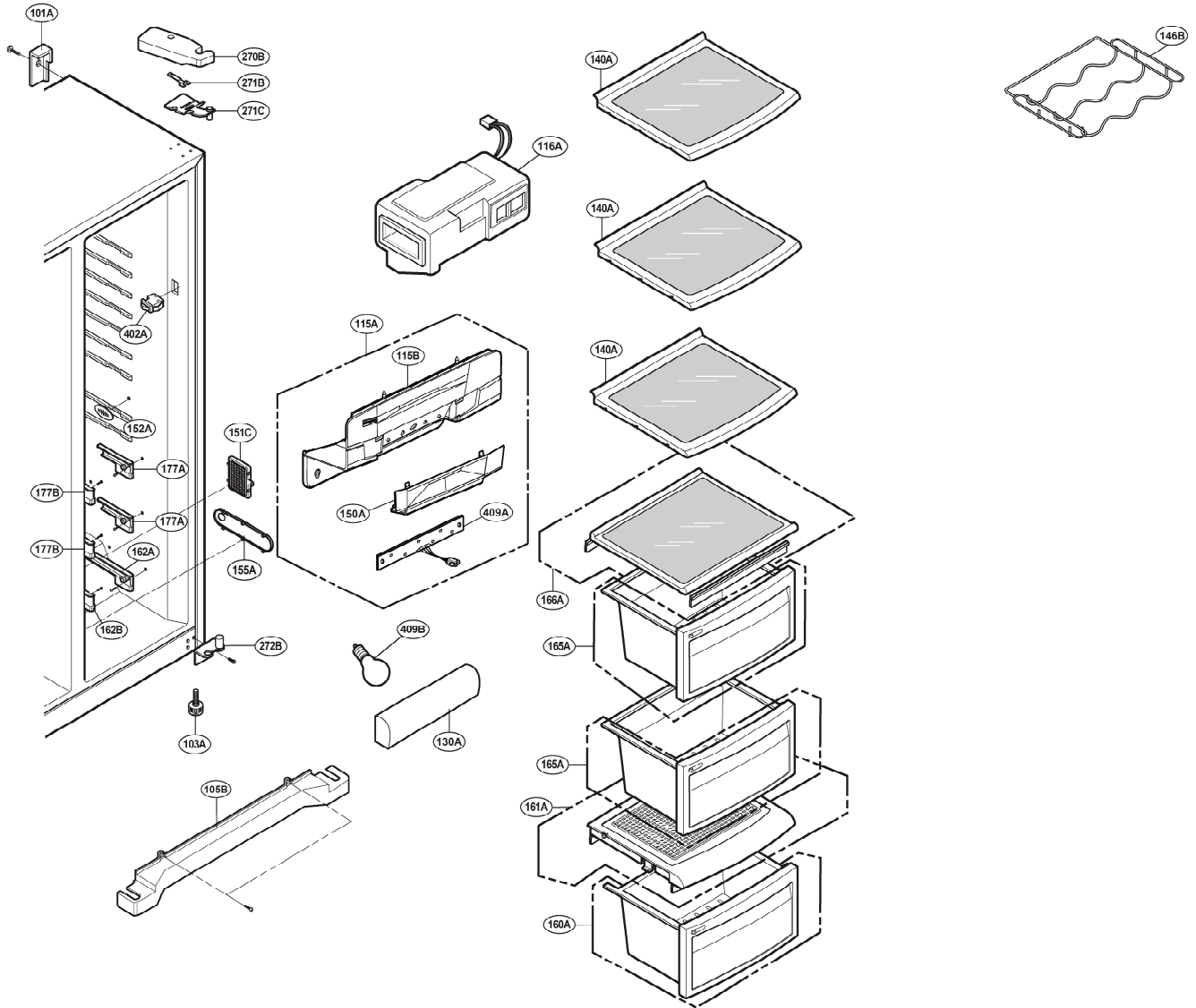
## FREEZER COMPARTMENT

Ref No.: GS526\*\*\*\*\*



# EXPLODED VIEW

## REFRIGERATOR COMPARTMENT



# EXPLODED VIEW

## MACHINE COMPARTMENT

Ref No.: GS516\*\*\*\*Z

