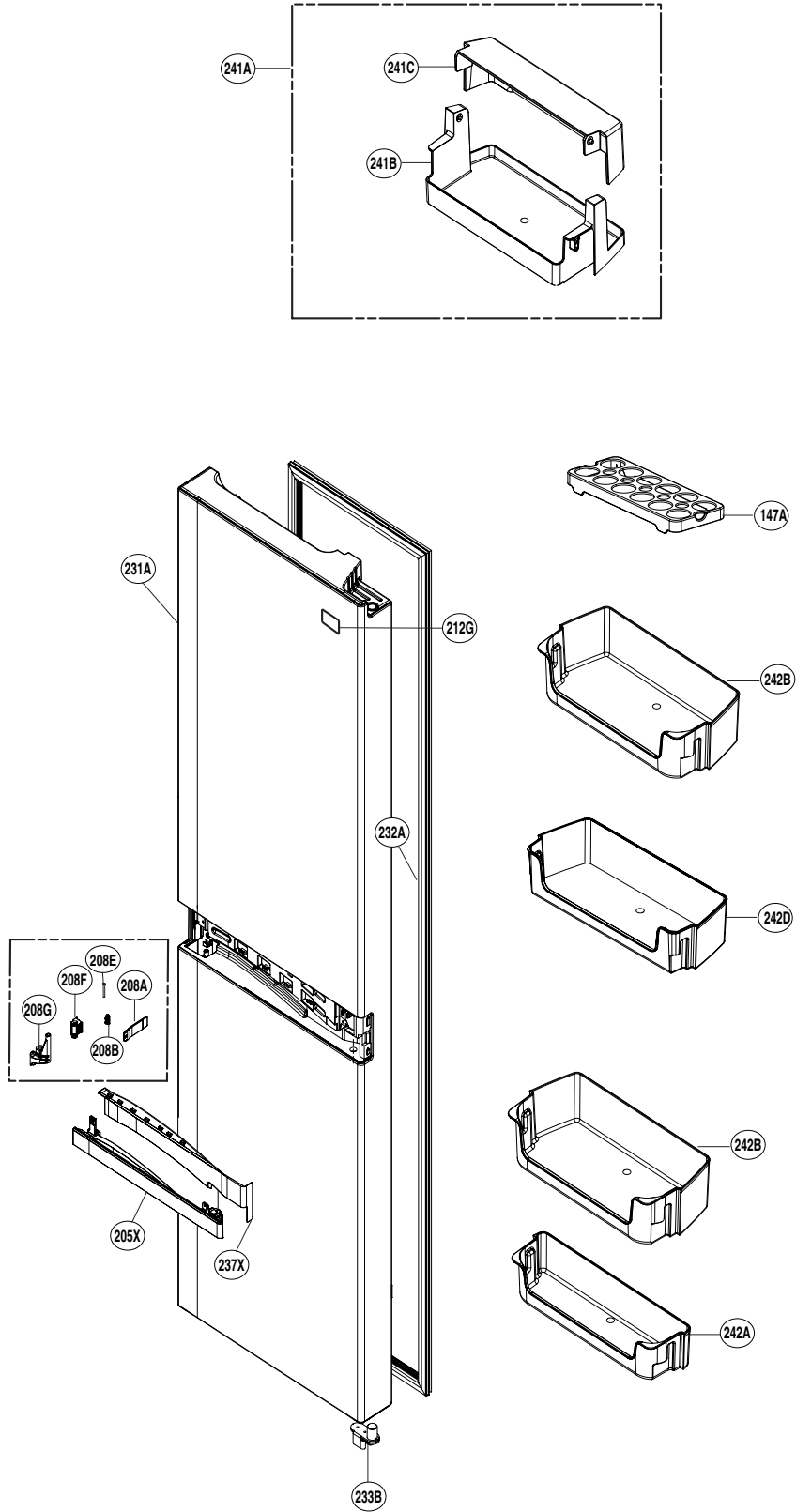




# EXPLODED VIEW

## REFRIGERATOR DOOR PART : GW-L227A\*Q\*

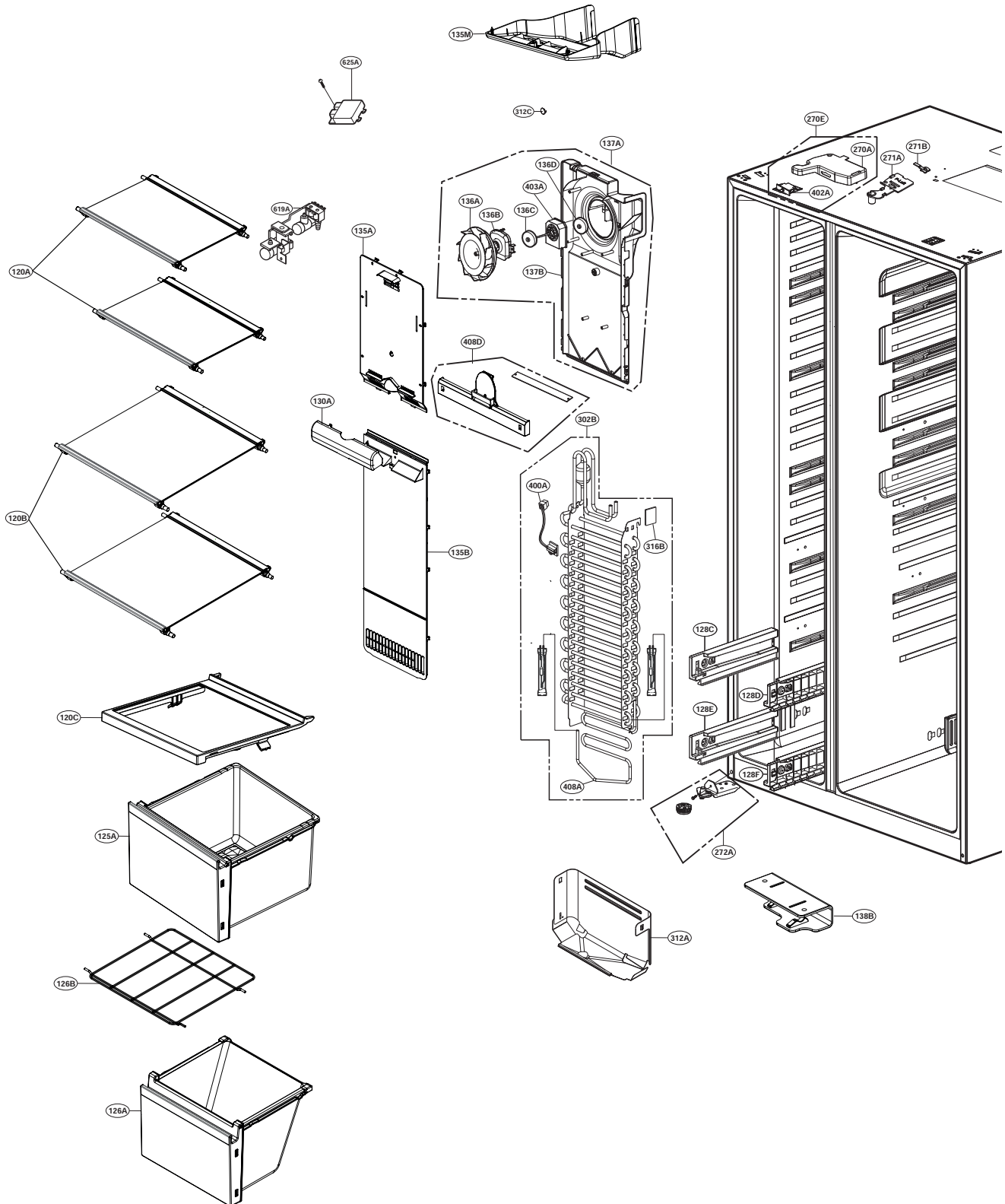
The parts of refrigerator and the shape of each part are subject to change in different localities.



# EXPLODED VIEW

## FREEZER COMPARTMENT : GW-P227A\*Q\*/GW-L227A\*Q\*

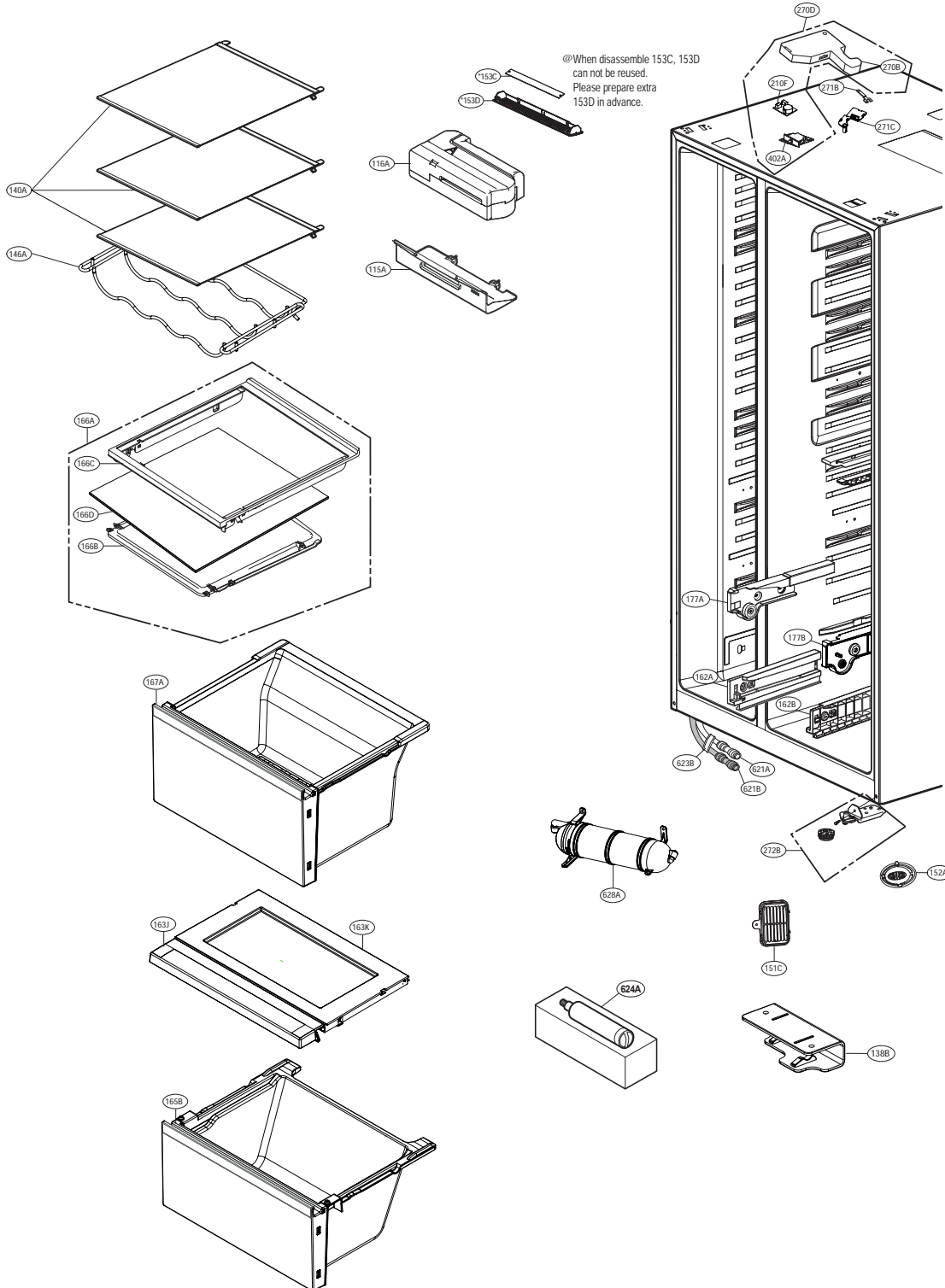
The parts of refrigerator and the shape of each part are subject to change in different localities.



# EXPLODED VIEW

## REFRIGERATOR COMPARTMENT : GW-P227A\*QV/GW-L227A\*QV

The parts of refrigerator and the shape of each part are subject to change in different localities.



# EXPLODED VIEW

## MACHINE COMPARTMENT : GW-P227A\*\*V/GW-L227A\*\*V

The parts of refrigerator and the shape of each part are subject to change in different localities.

