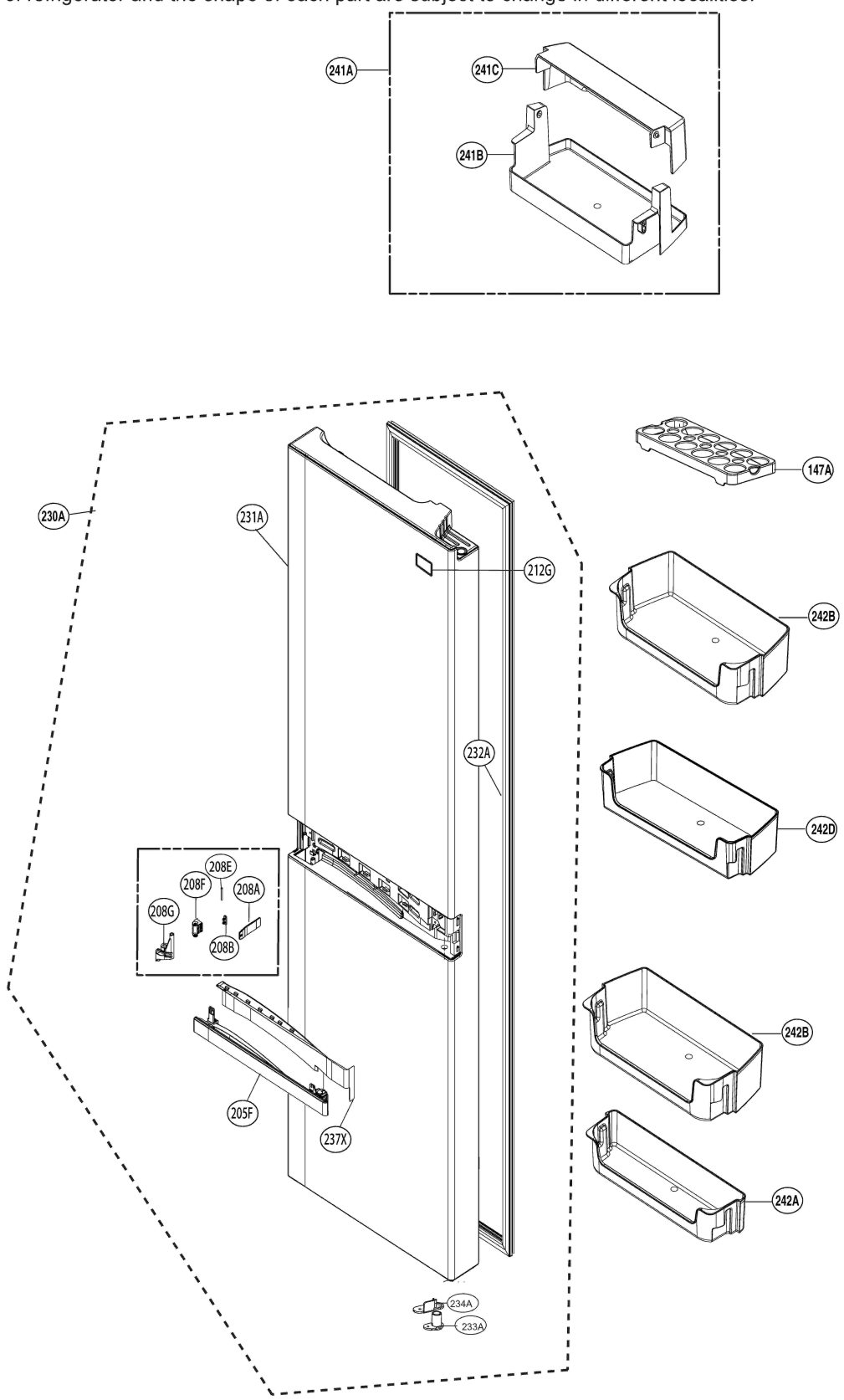


EXPLODED VIEW

REFRIGERATOR DOOR PART : GC-L227A*Q *

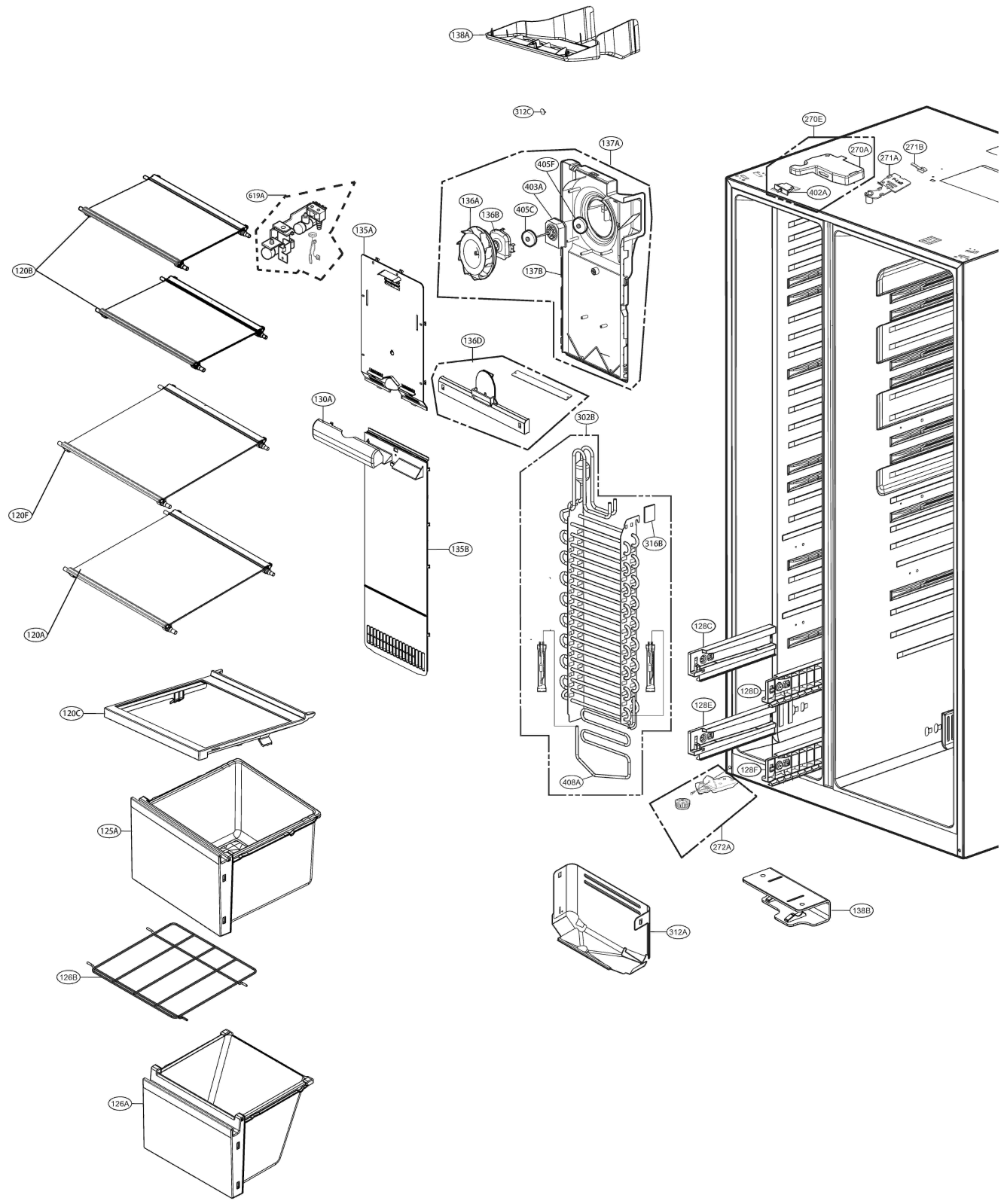
The parts of refrigerator and the shape of each part are subject to change in different localities.



EXPLODED VIEW

FREEZER COMPARTMENT : GC-P227A*Q*/GC-L227A*Q*

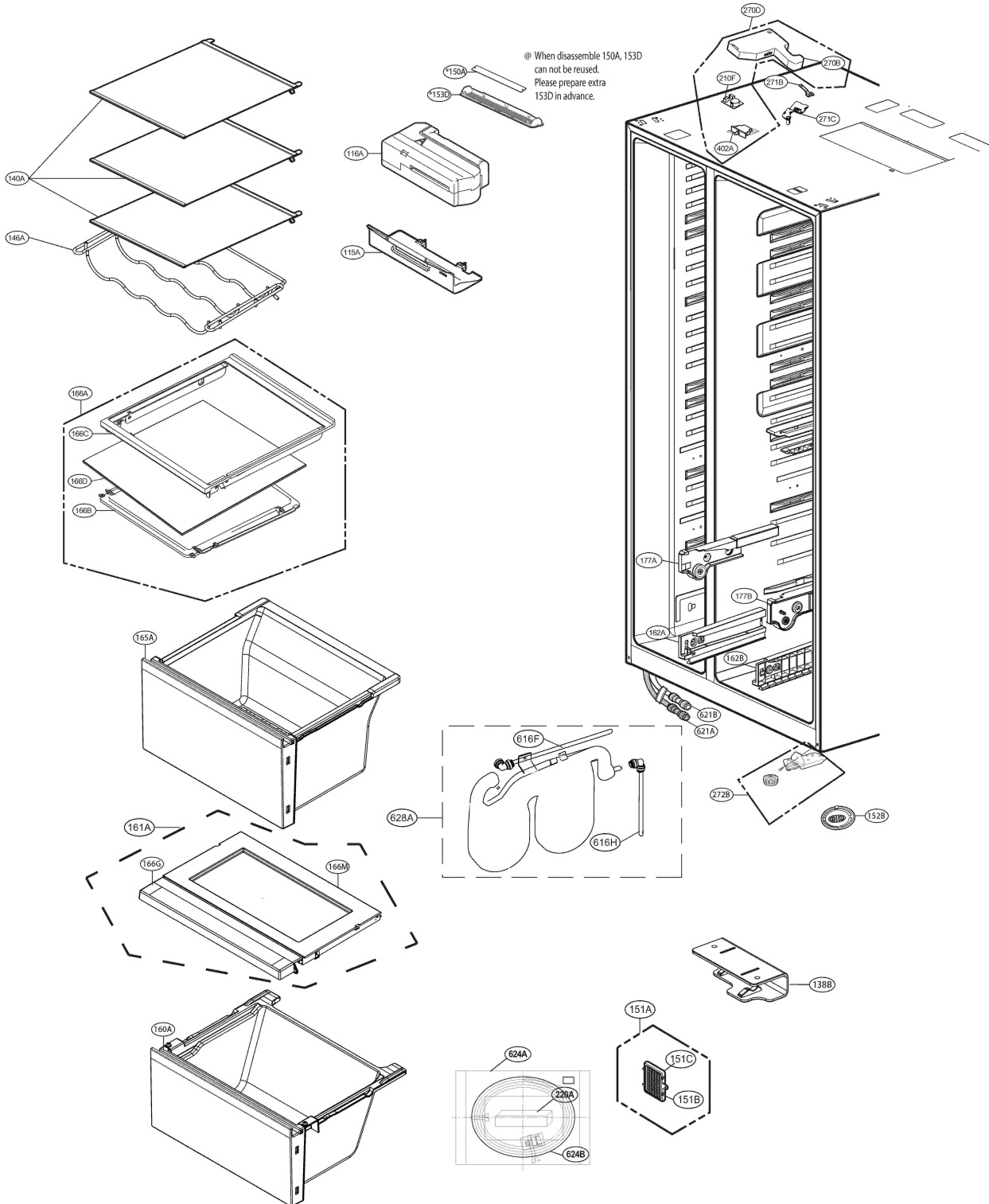
The parts of refrigerator and the shape of each part are subject to change in different localities.



EXPLODED VIEW

REFRIGERATOR COMPARTMENT : GC-P227A*QV/GC-L227A*QV

The parts of refrigerator and the shape of each part are subject to change in different localities.



EXPLODED VIEW

MACHINE COMPARTMENT : G C-P227A**V/GC-L227A**V

The parts of refrigerator and the shape of each part are subject to change in different localities.

