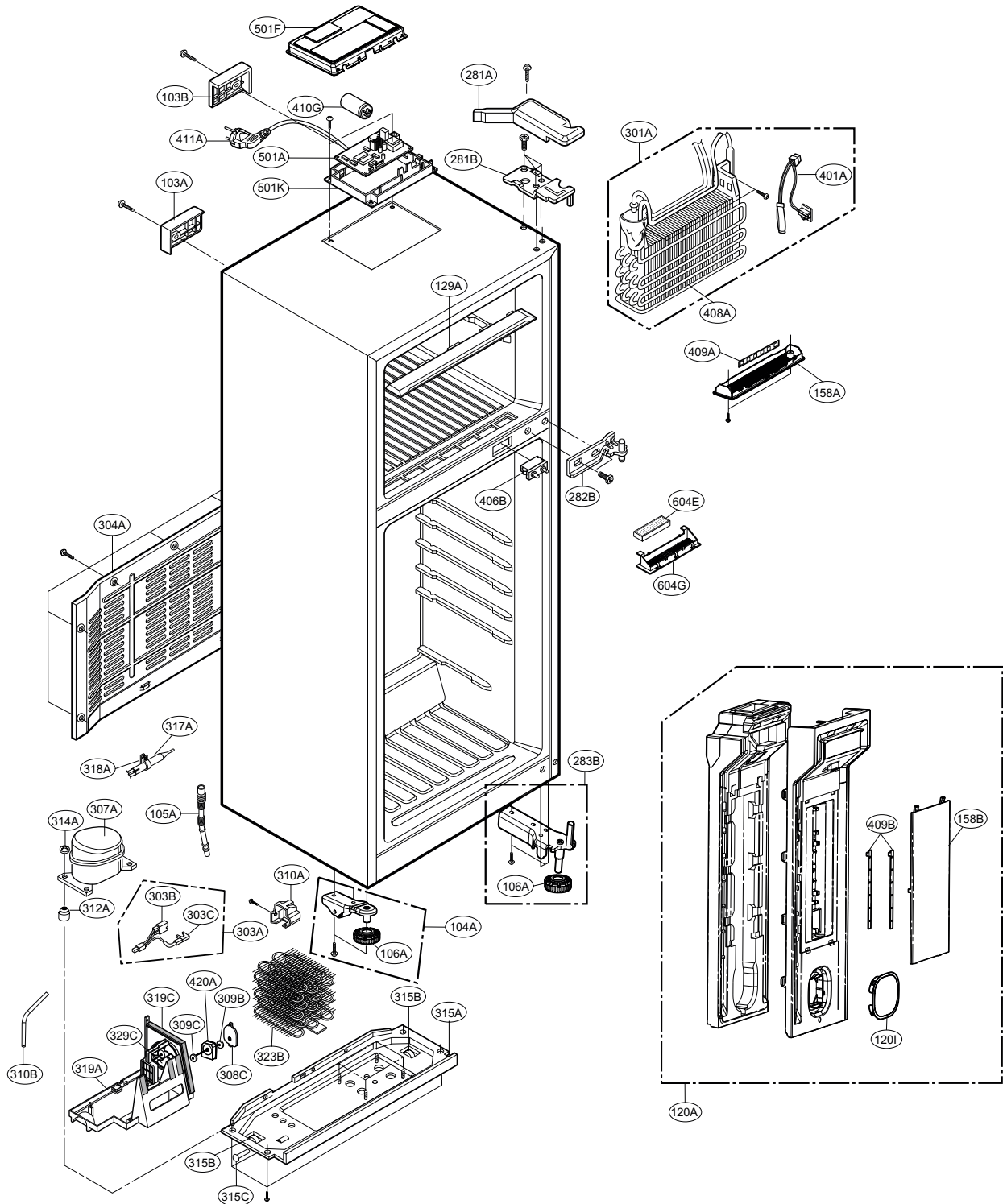
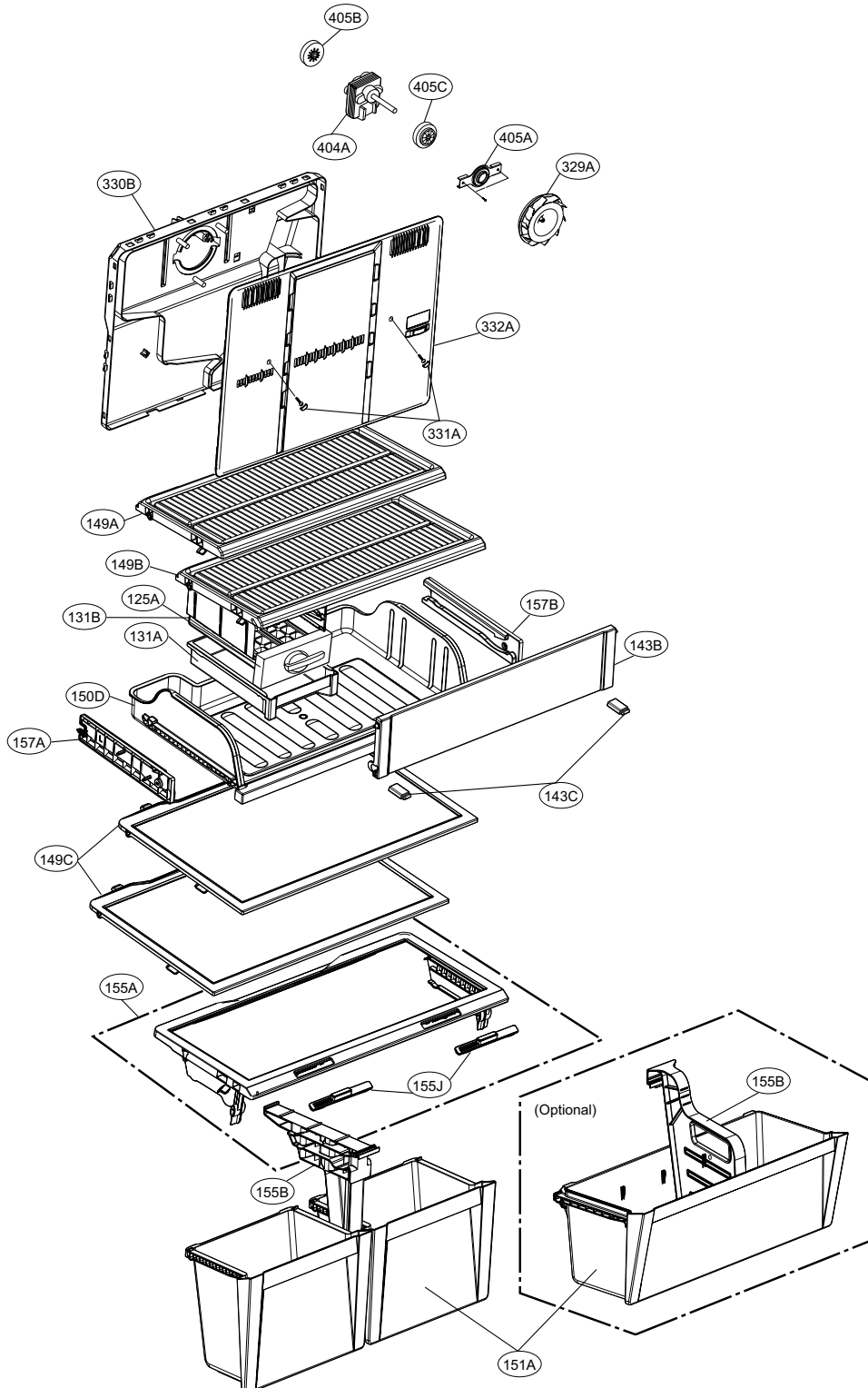


8-2. GR-B802G*T/GR-B762G*T

- ▼ The parts of refrigerator and the shape of each part are subject to change in different localities.
- ▼ Capacitors and fuse are optional parts.



► GR-B802G*P/GR-B762G*P
 GR-M802G*H/GR-M762G*H
 GR-B802G*T/GR-B762G*T



► GR-B762G*P/GR-B762G*T

