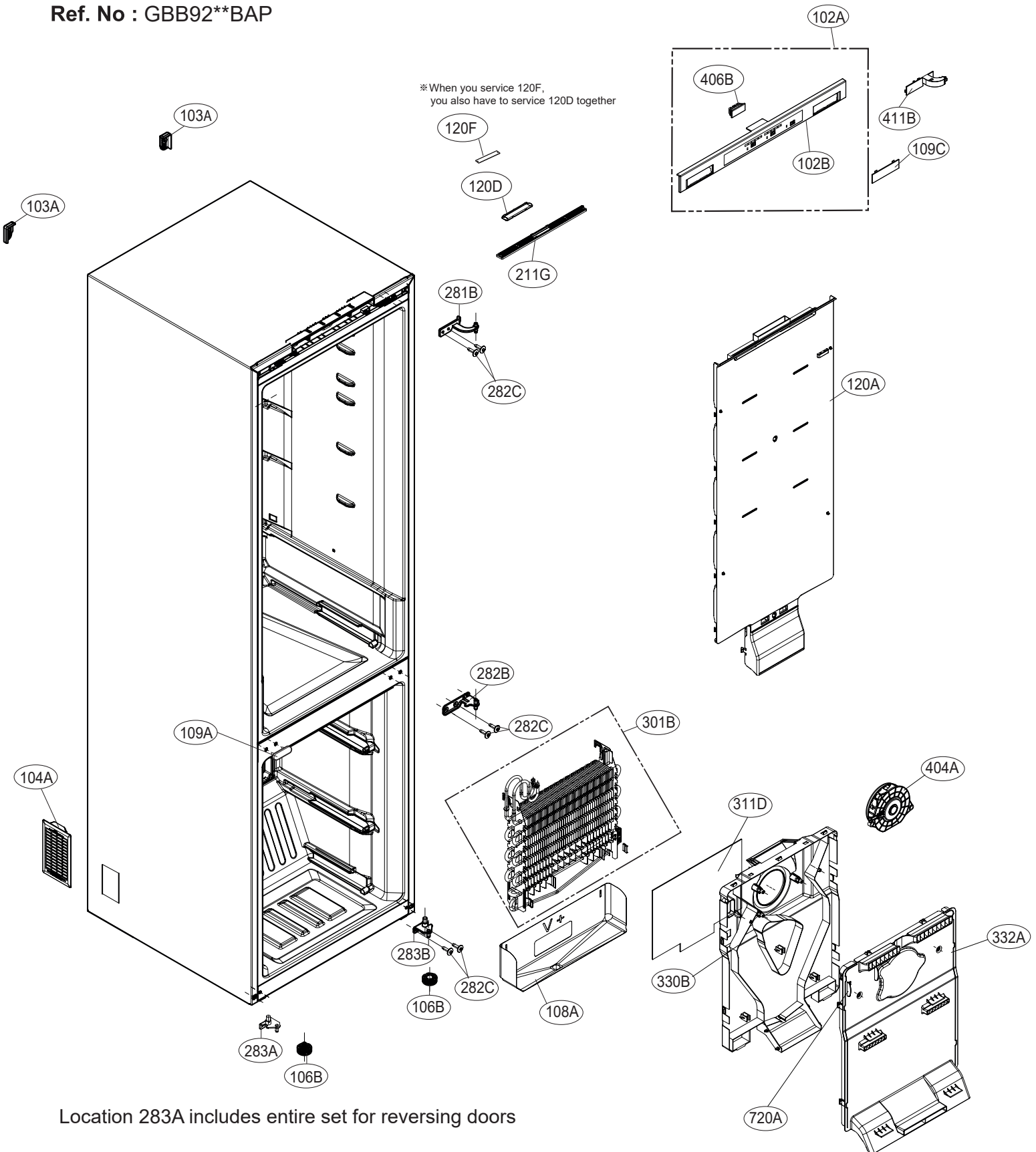


# EXPLODED VIEW

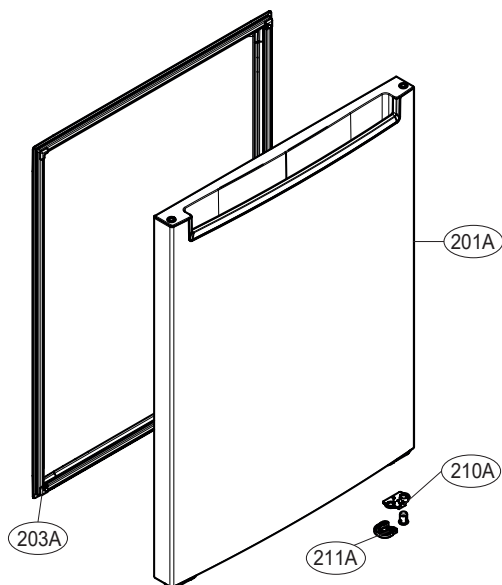
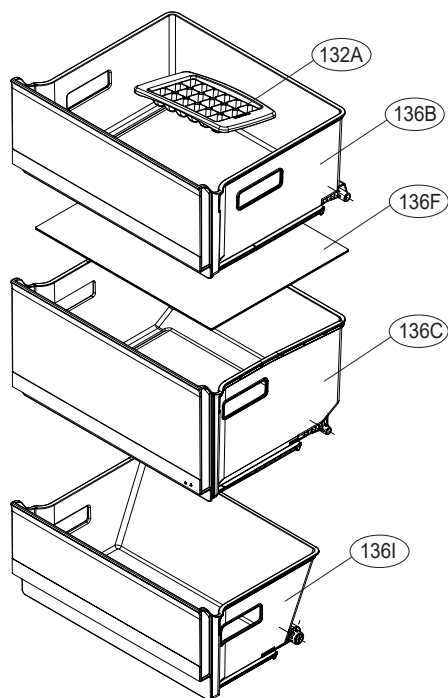
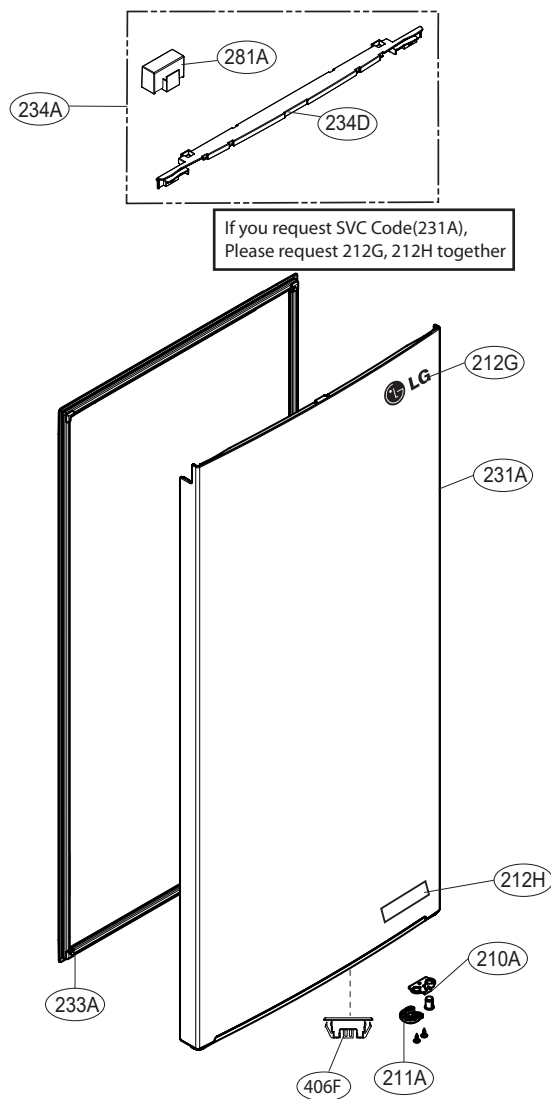
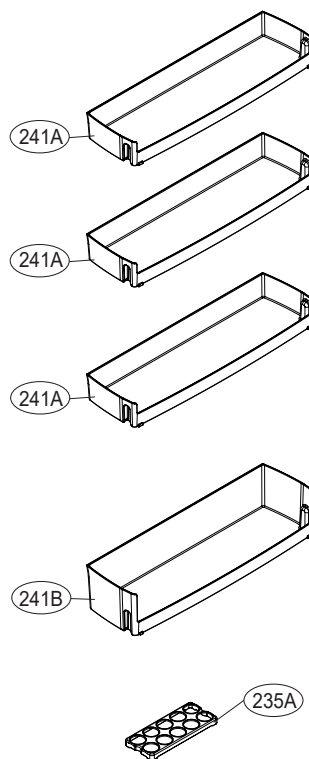
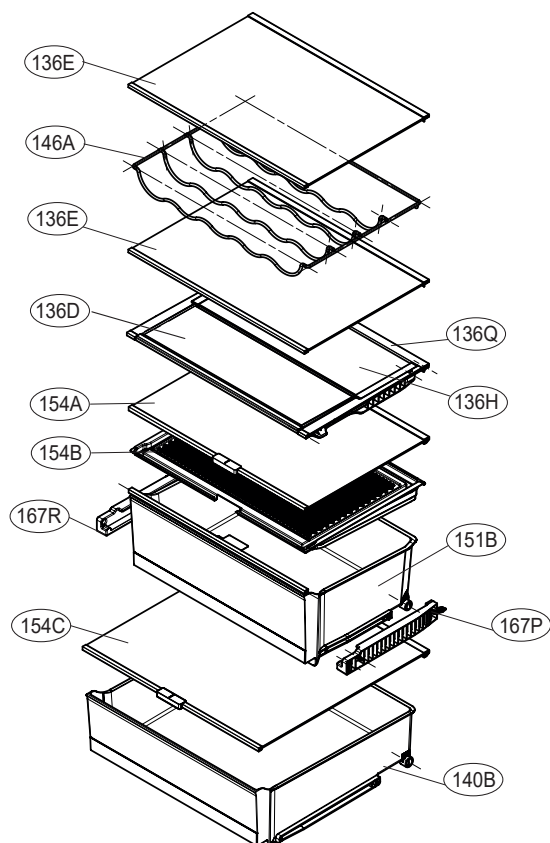
Ref. No : GBB92\*\*BAP



► The parts of refrigerator and the shape of each part are subject to change in different localities.

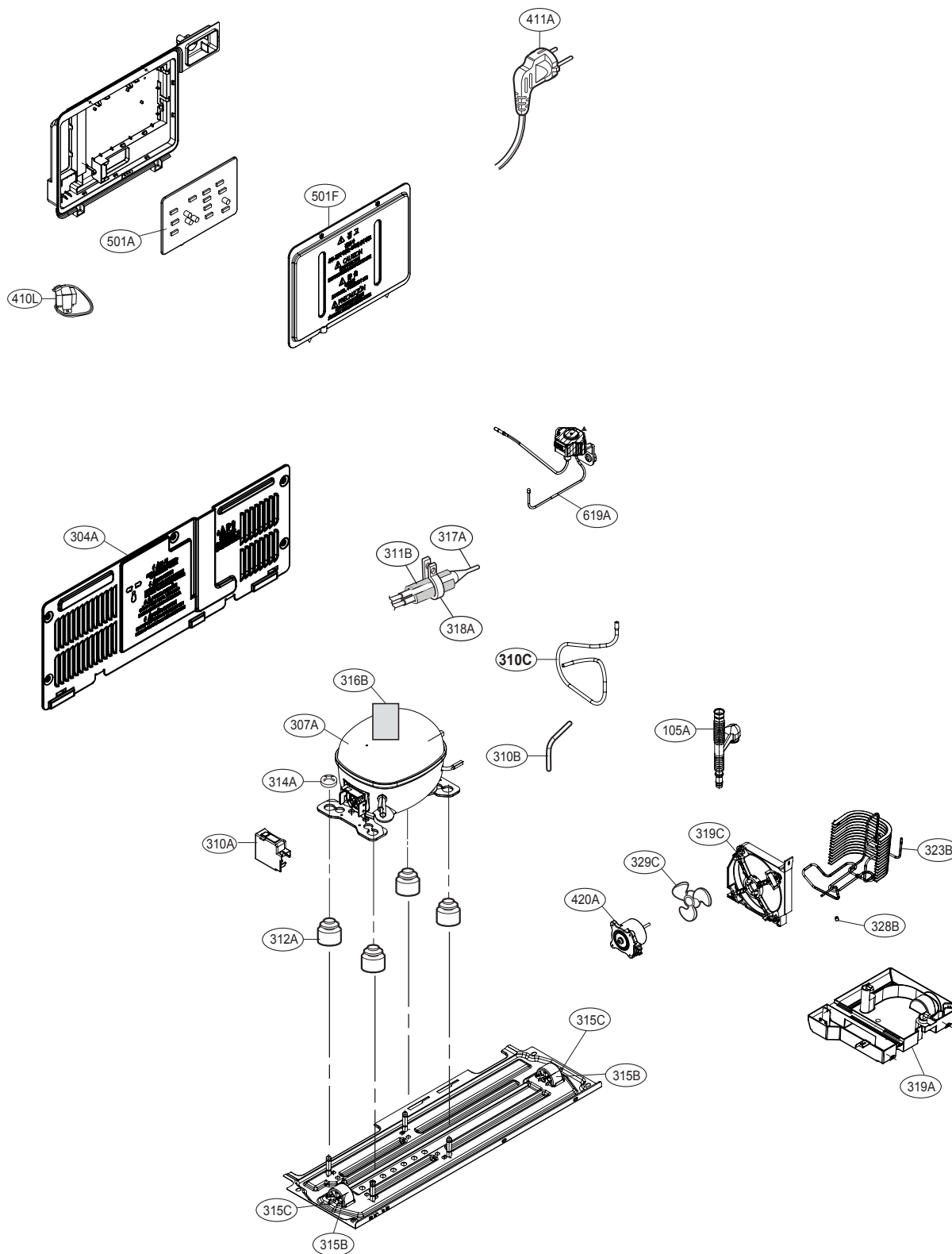
# EXPLODED VIEW

Ref. No : GBB92\*\*BAP



# EXPLODED VIEW

Ref. No: GBB92\*\*BAP



☒ The parts of refrigerator and the shape of each part are subject to change in different localities.