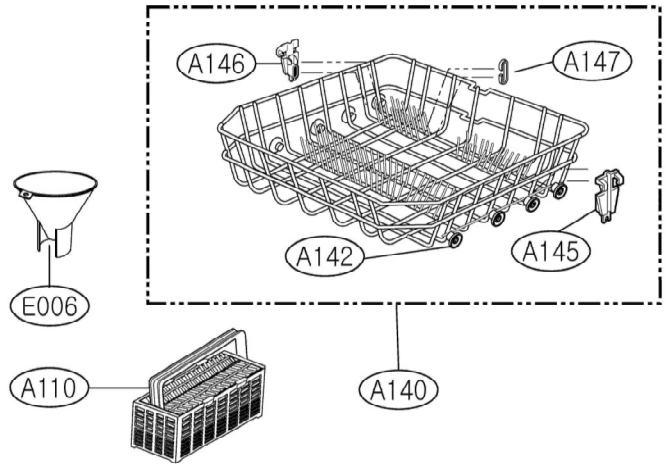
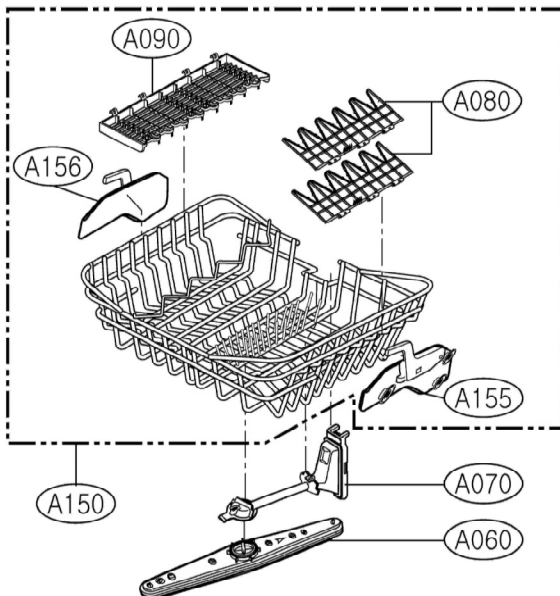
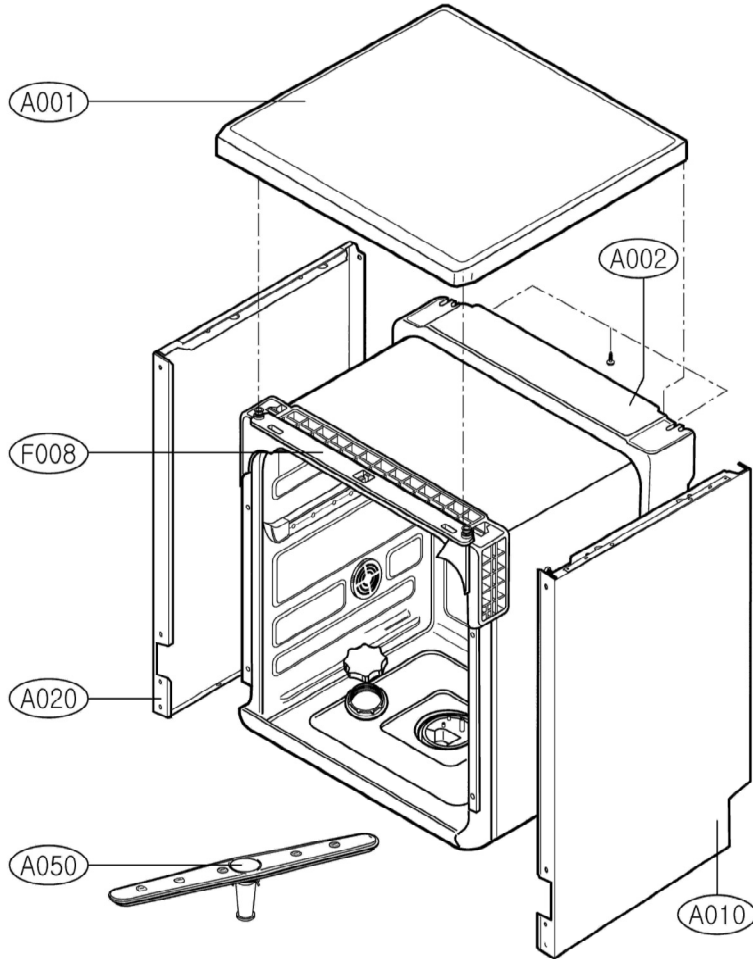
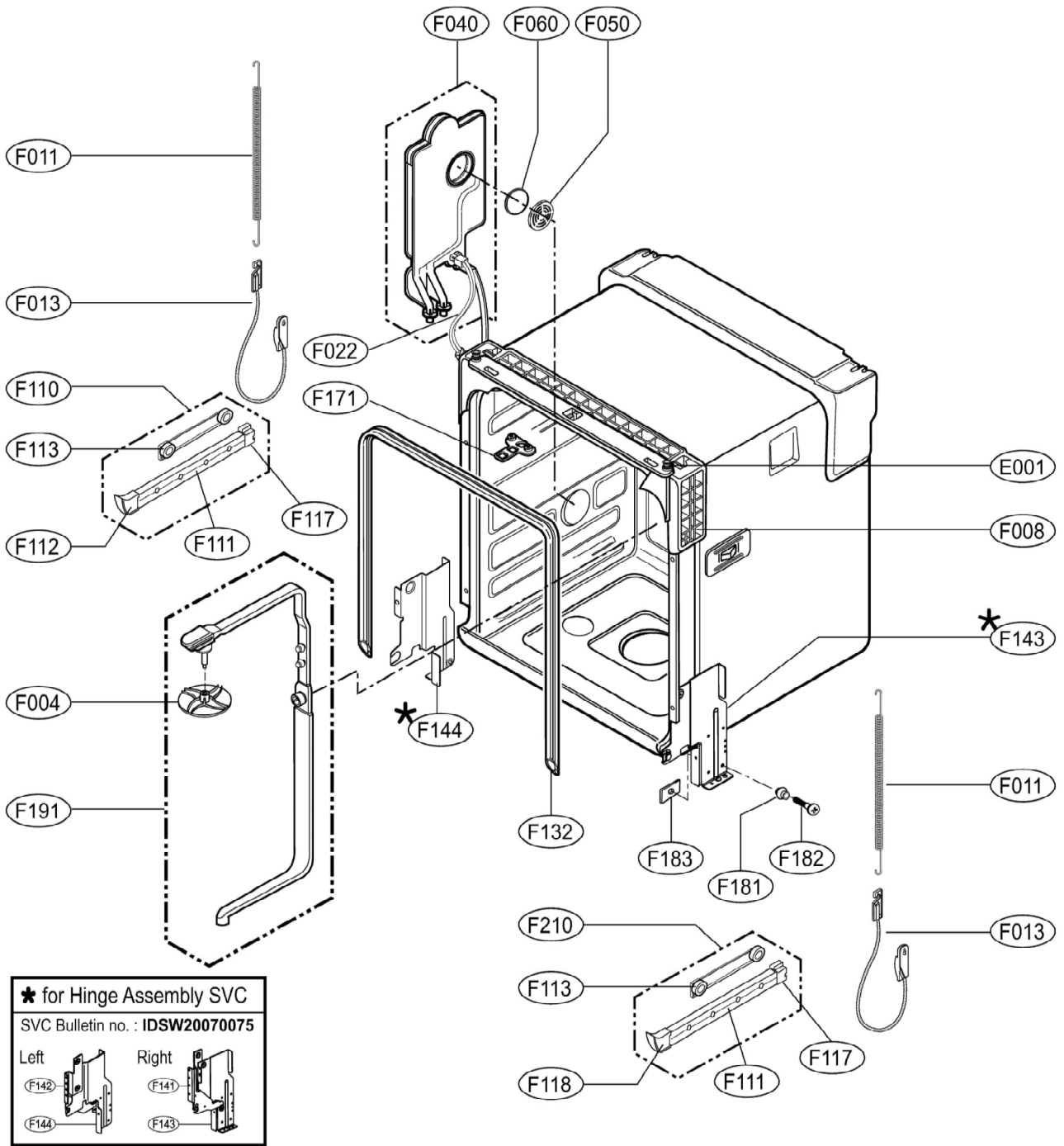


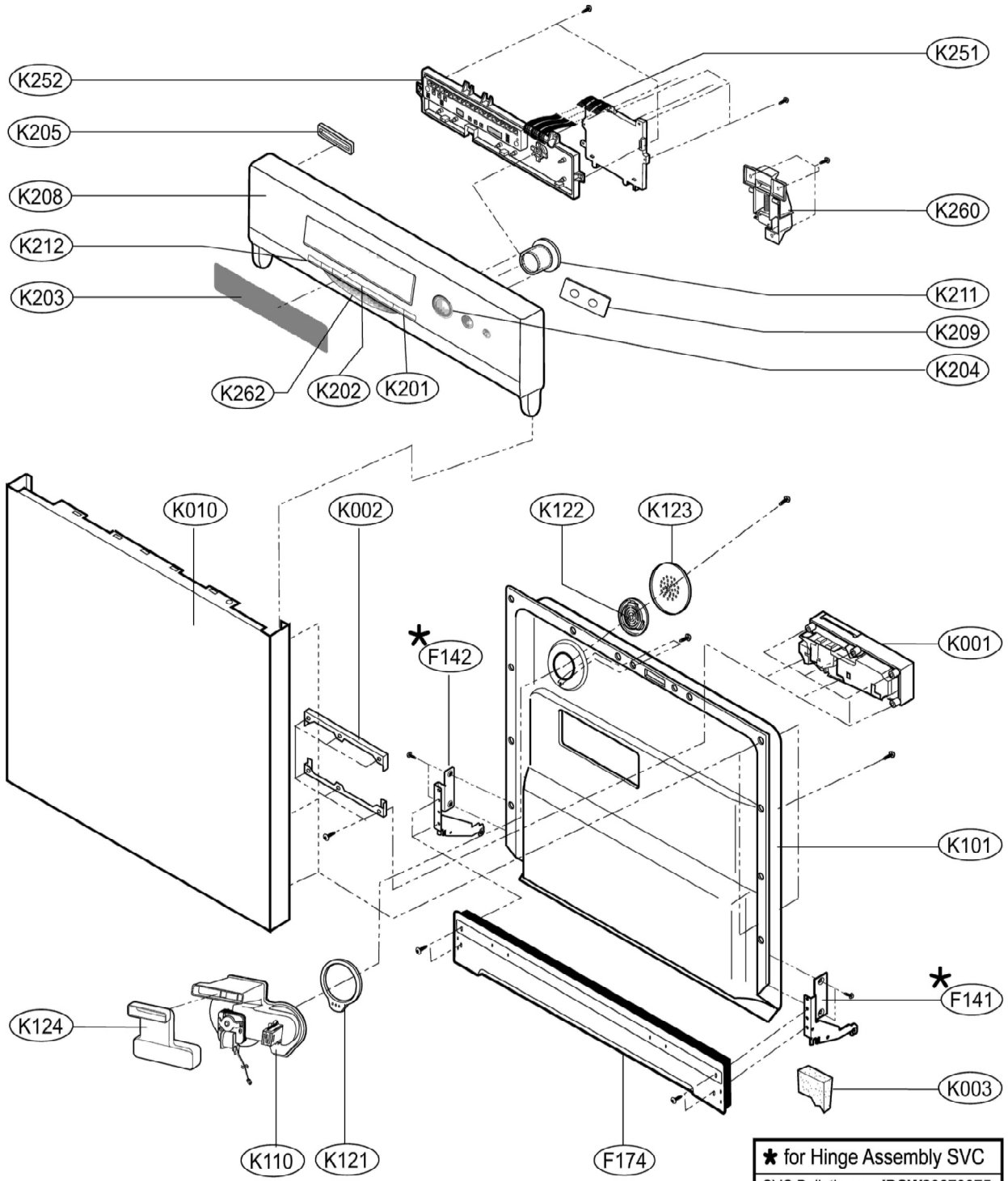
# EXPLODED VIEW



# EXPLODED VIEW - TUB ASSEMBLY



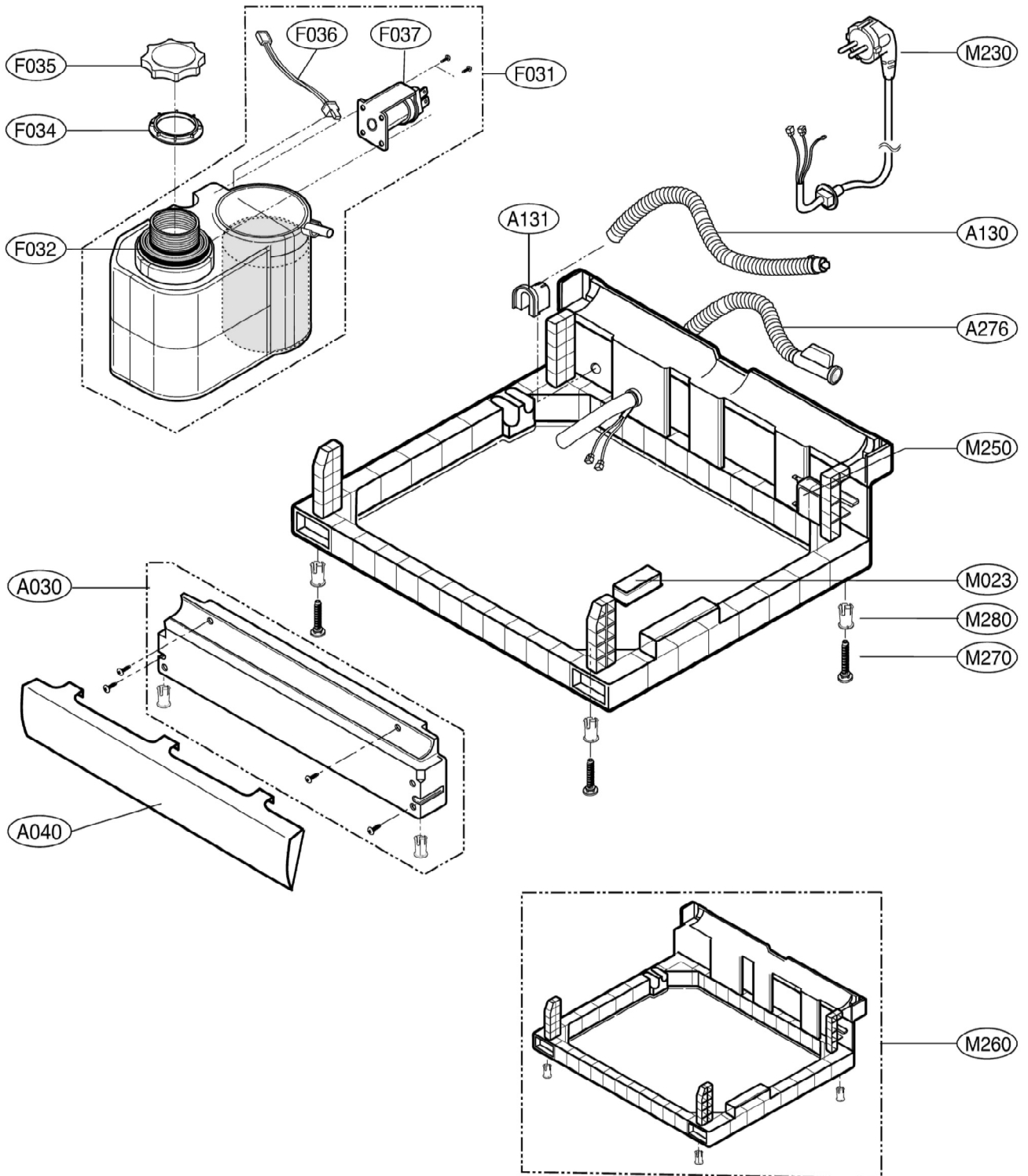
# EXPLODED VIEW - PANEL / DOOR ASSEMBLY



**\* for Hinge Assembly SVC**  
 SVC Bulletin no. : **IDSW20070075**

Left	Right

# EXPLODED VIEW - BASE ASSEMBLY



EXPLODED VIEW - SUMP ASSEMBLY

