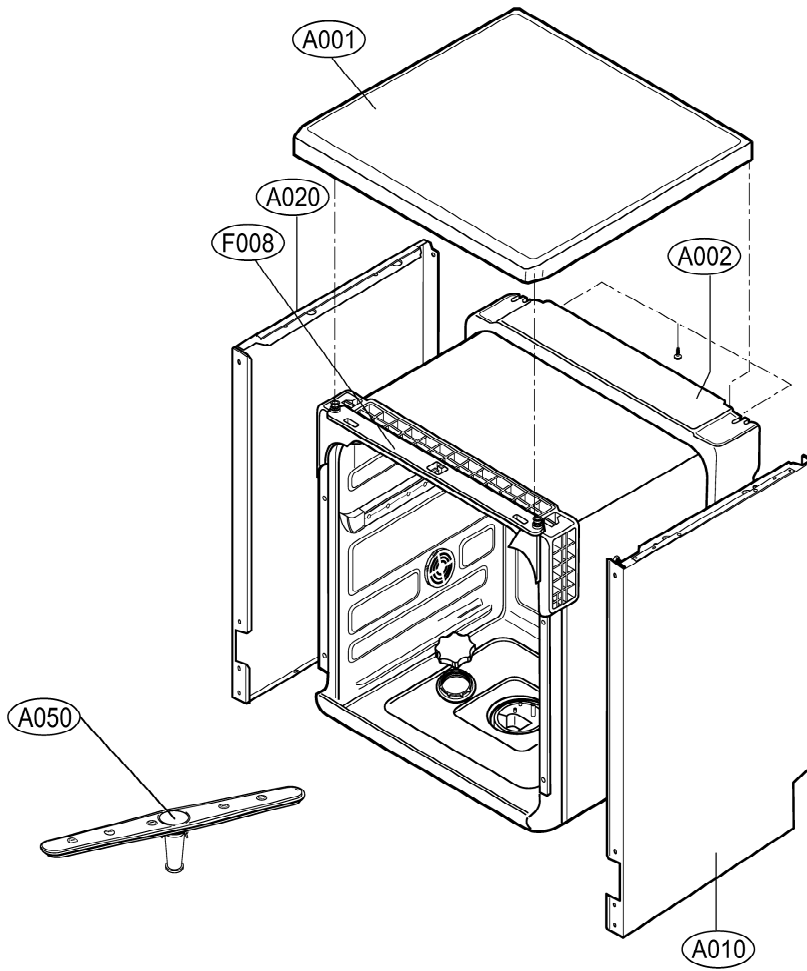
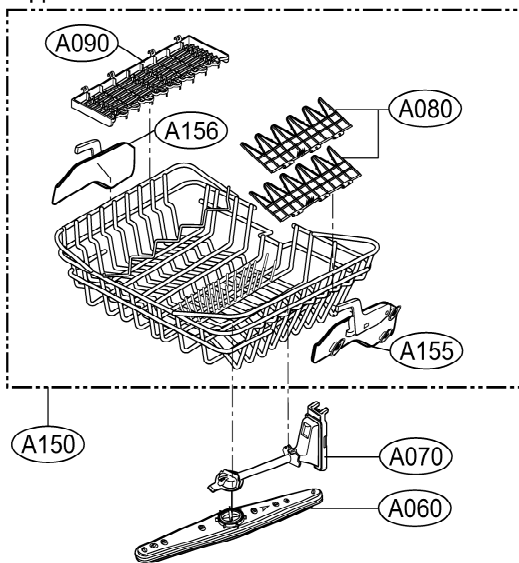


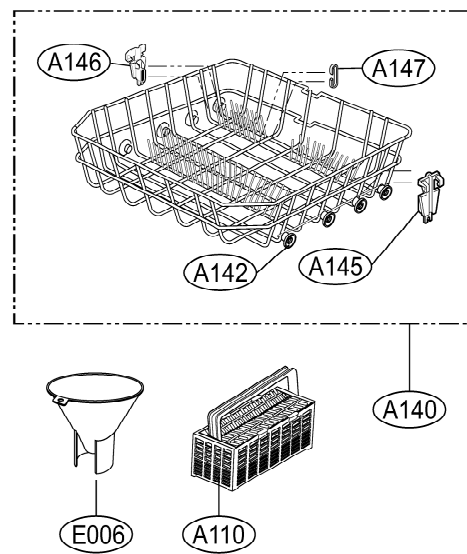
# EXPLODED VIEW



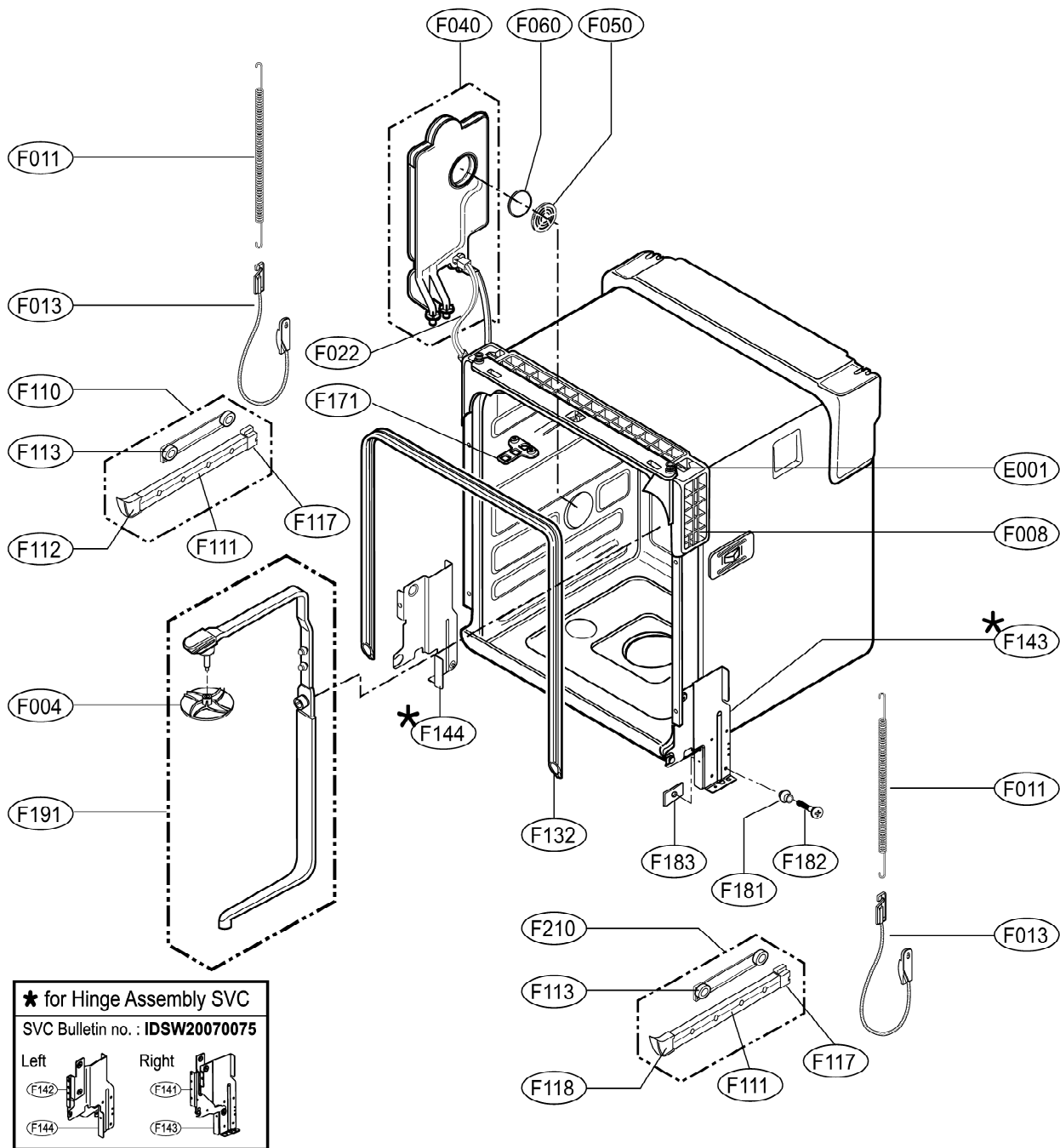
Upper Rack



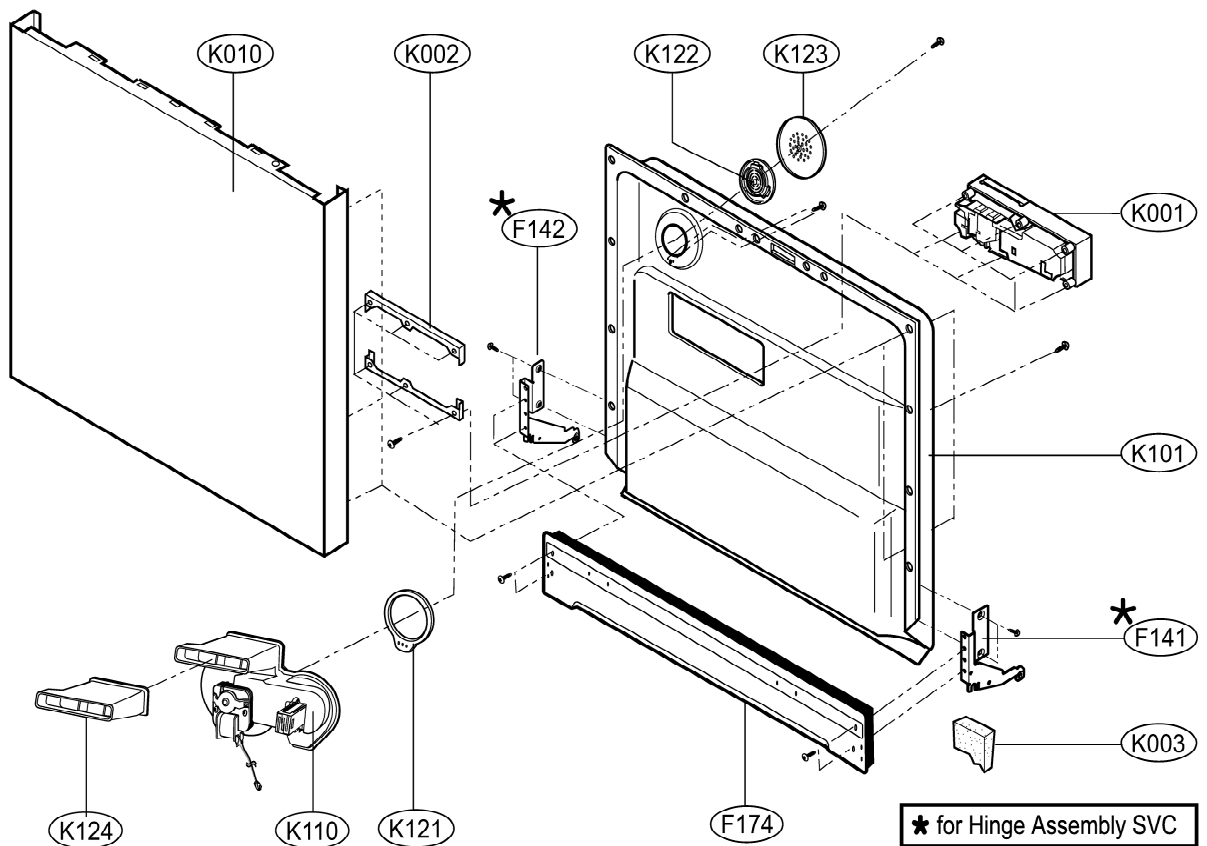
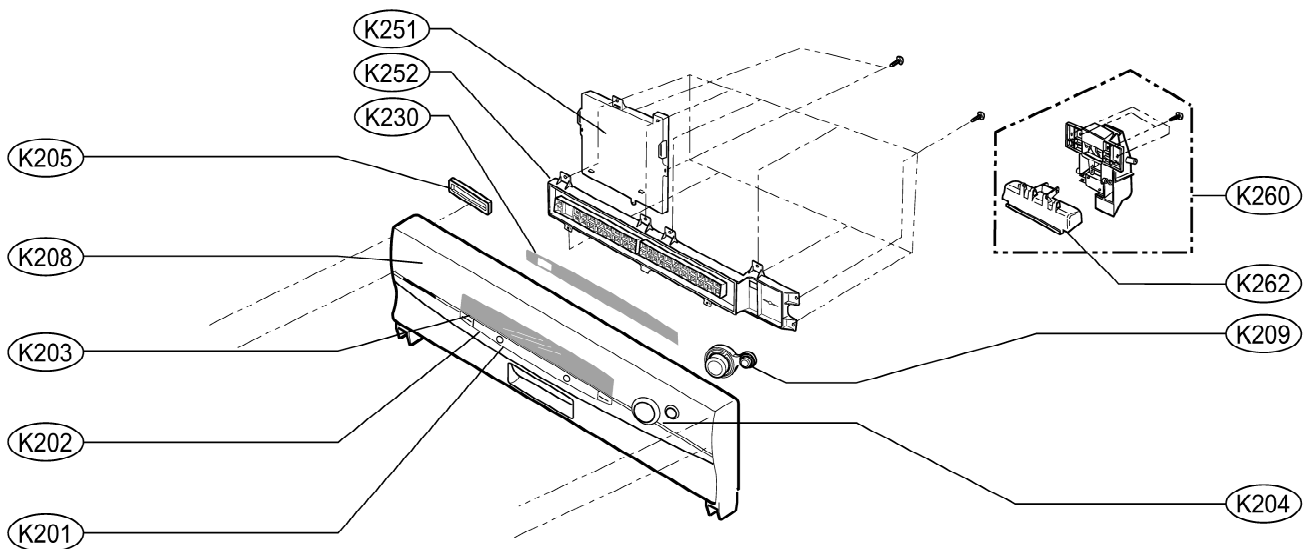
Lower Rack



# EXPLODED VIEW - TUB ASSEMBLY



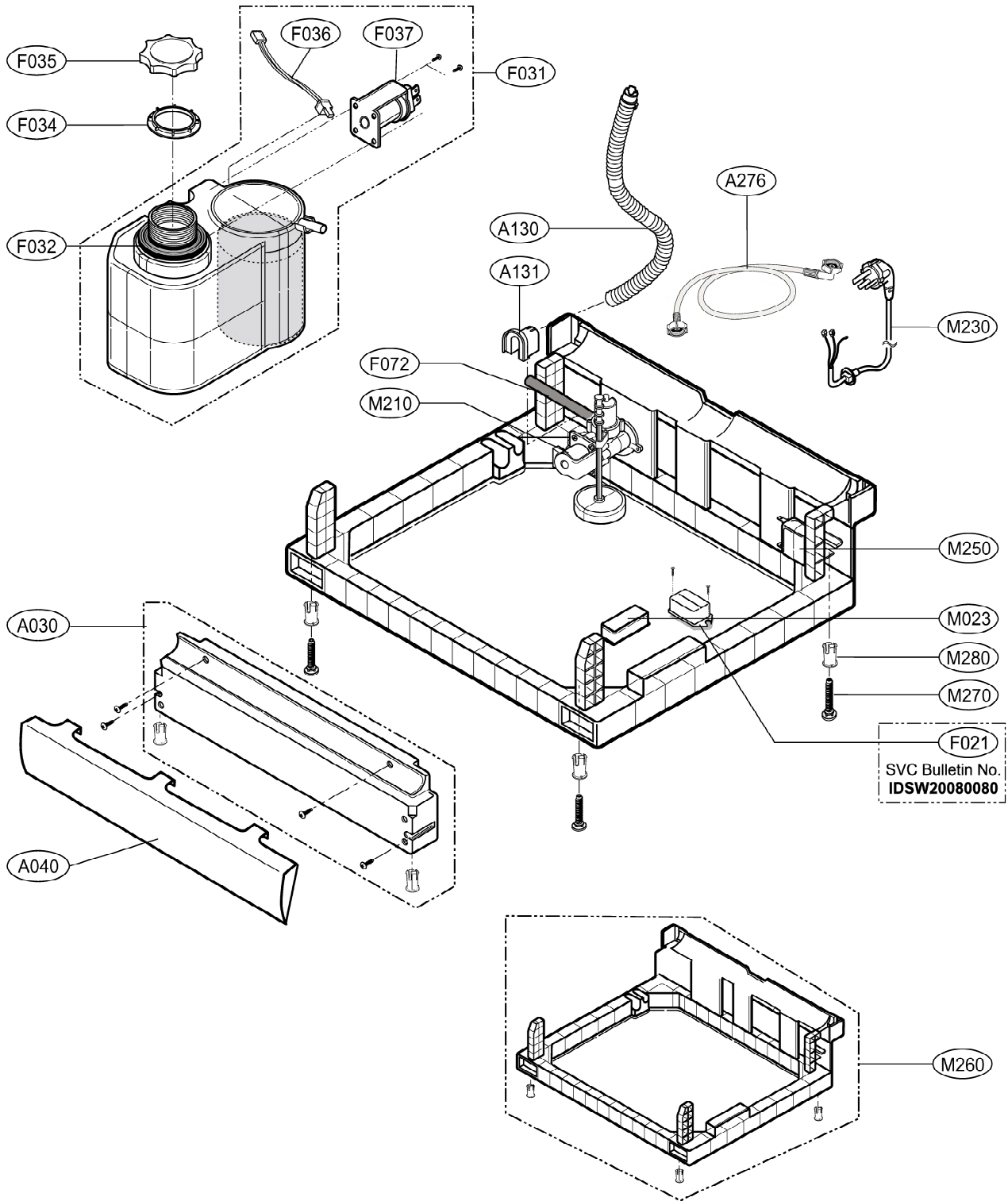
# EXPLODED VIEW - PANEL ASSEMBLY / DOOR ASSEMBLY



**\* for Hinge Assembly SVC**  
 SVC Bulletin no. : IDSW20070075

Left	Right

# EXPLODED VIEW - BASE ASSEMBLY



# EXPLODED VIEW - SUMP ASSEMBLY

