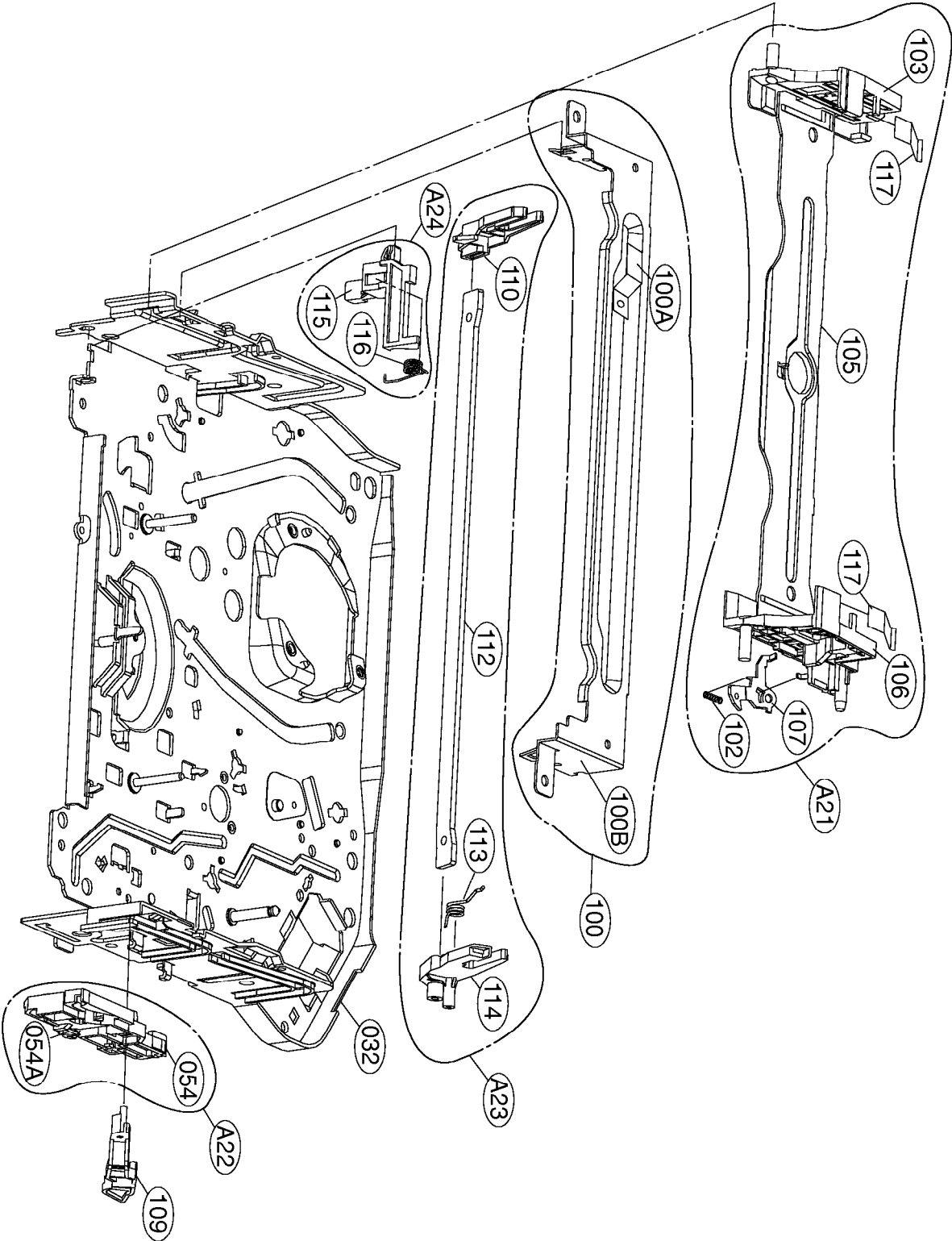


EXPLODED VIEWS

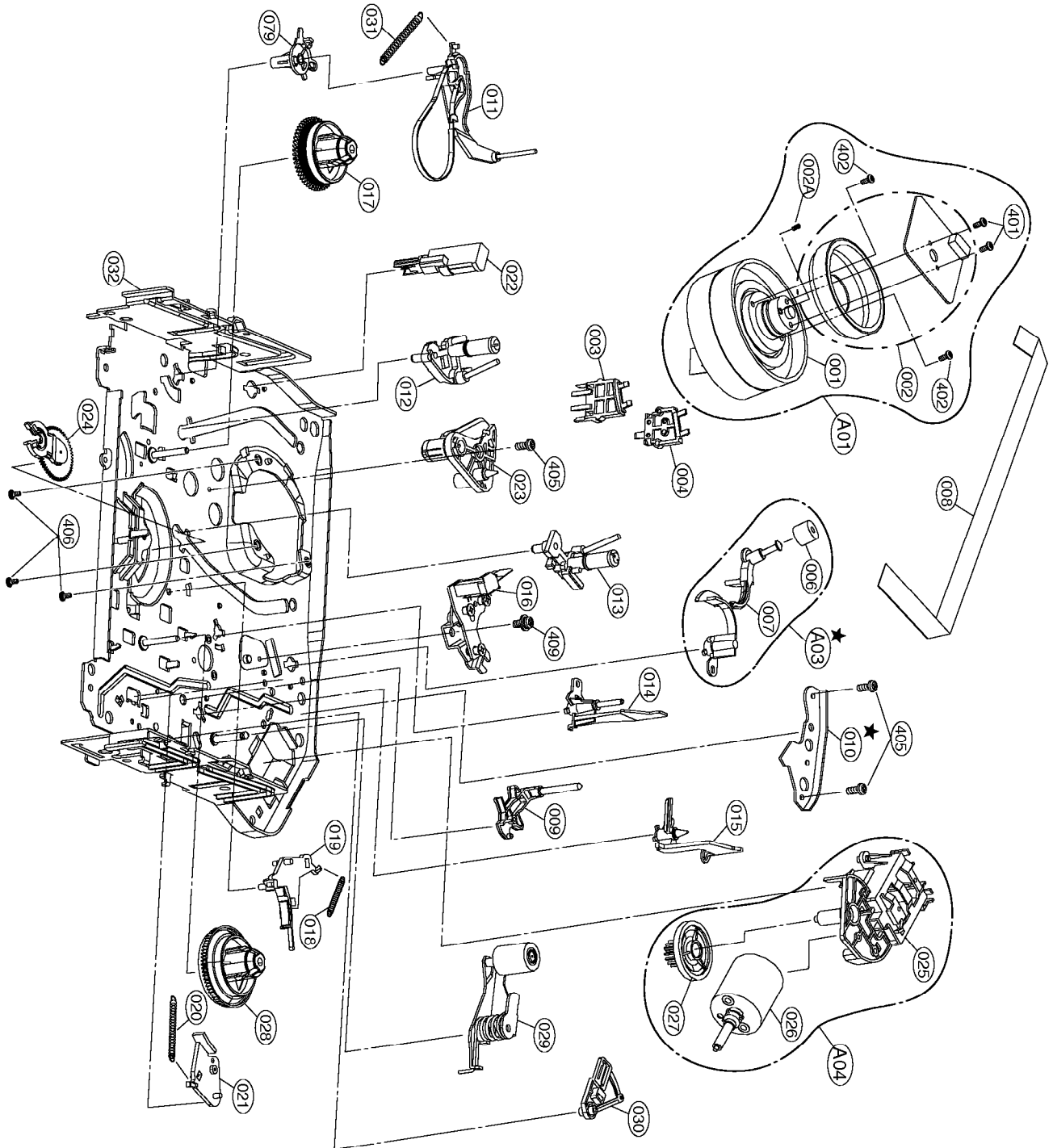
1. Front Loading Mechanism Section



EXPLODED VIEWS

2. Moving Mechanism Section(1)

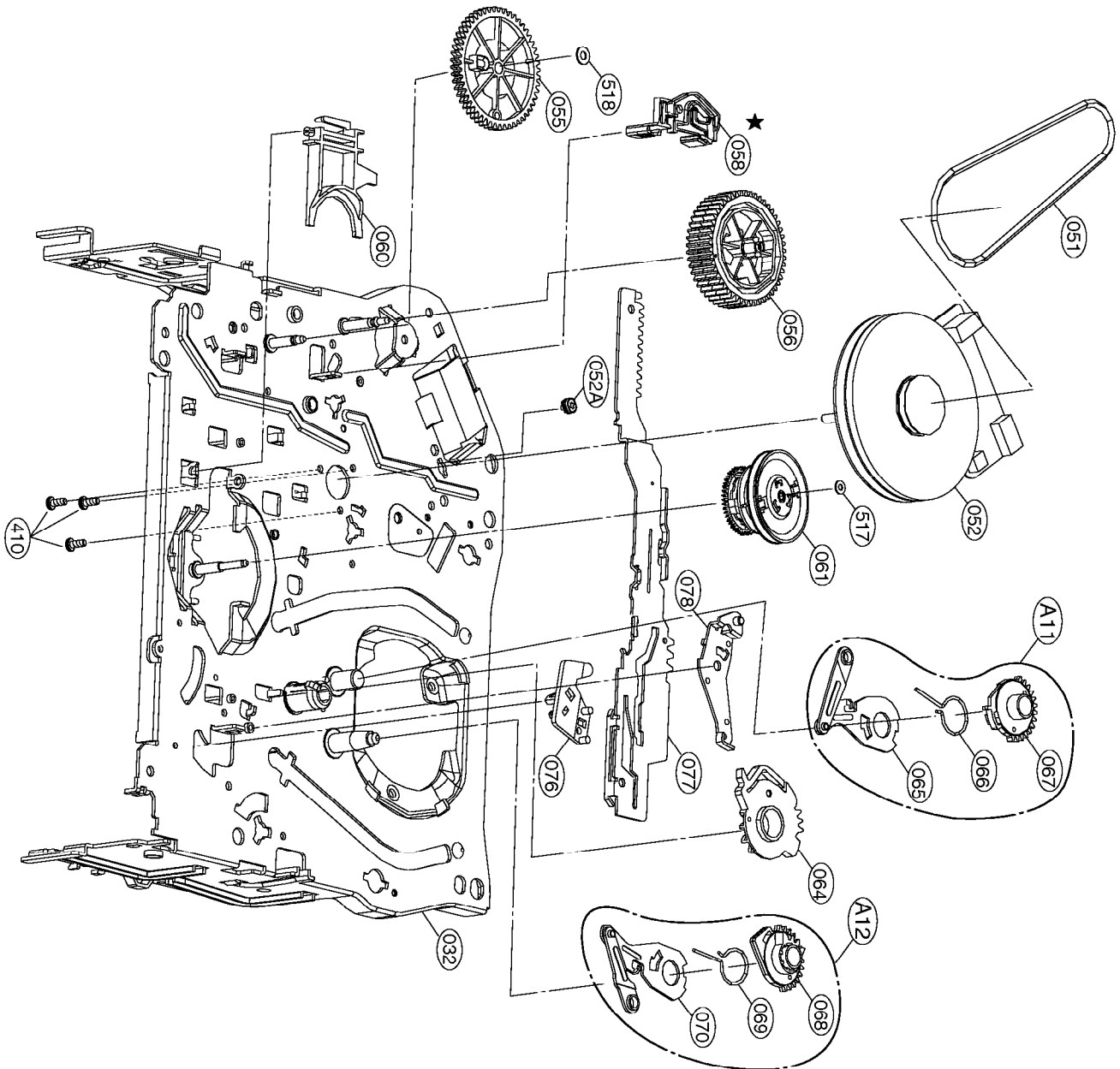
★ OPTIONAL PART



EXPLODED VIEWS

3. Moving Mechanism Section(2)

★ OPTIONAL PART

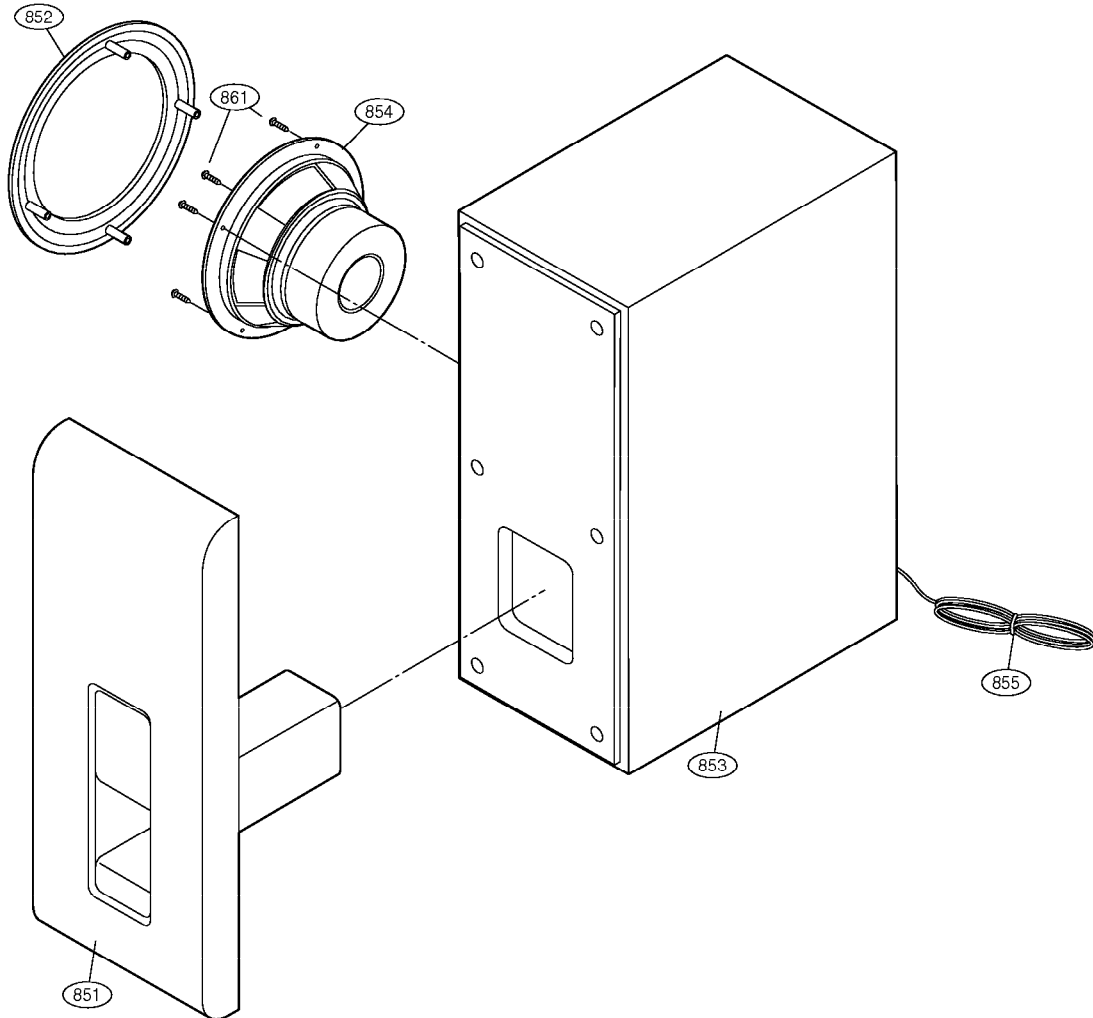


MEMO

A series of horizontal dashed lines for writing.

■ Passive(Sub) Woofer

• MODEL: LHS-C6232W

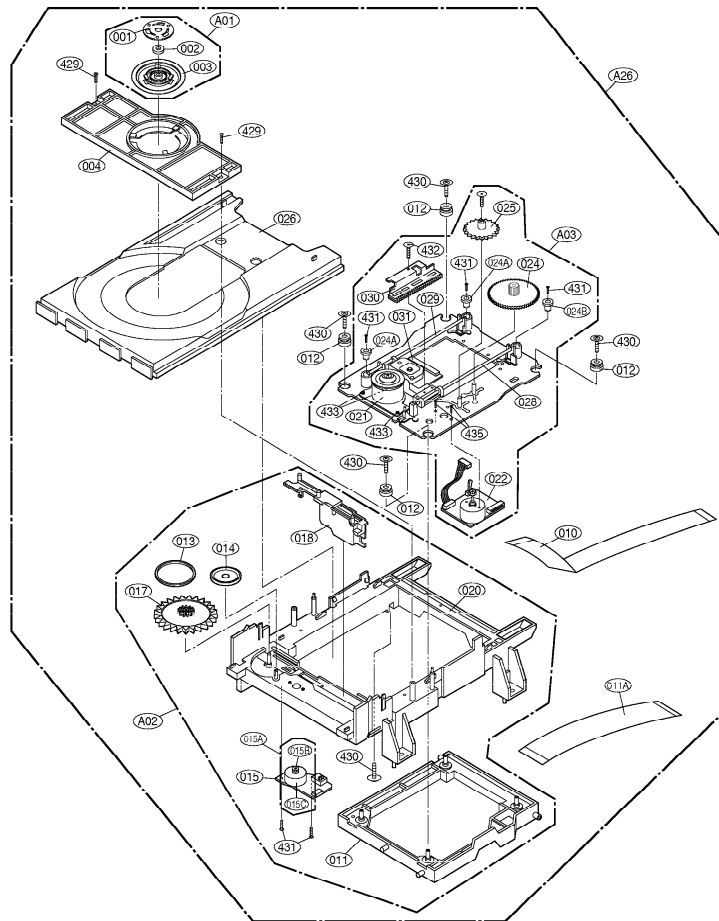


RUN DATE : 05.JUNE.2003

LOCA.NO	PART NO	DESCRIPTION	SPECIFICATION	REMARKS
851	3720RMF045A	PANEL,FRONT	FRONT LH-6230WE STANDARD	
852	3701RM0043A	NET ASSEMBLY	SPK LHS-D6230W SILVER STANDARD	
853	3091RMW050A	CABINET ASSEMBLY	ASSY LH-6230WE ALL PB 9T	
854	6400WTTJ03A	SPEAKER,WOOFER	F65C-D365 TOPTONE WOOFER LHS-6	
855	6871RU9271F	PWB(PCB) ASSEMBLY,SUBSET(AUDIO	LHS-D6230W SUB WOOFER 2.5M, OR	
861	353M050C	SCREW	BH 3.5X16 FBK	

EXPLODED VIEWS

1. Deck Mechanism Exploded View



SECTION 7. EXPLODED VIEWS

• CABINET AND MAIN FRAME

NOTE) Refer to "SECTION 7 REPLACEMENT PARTS LIST" in order to look for the part number of each part.

