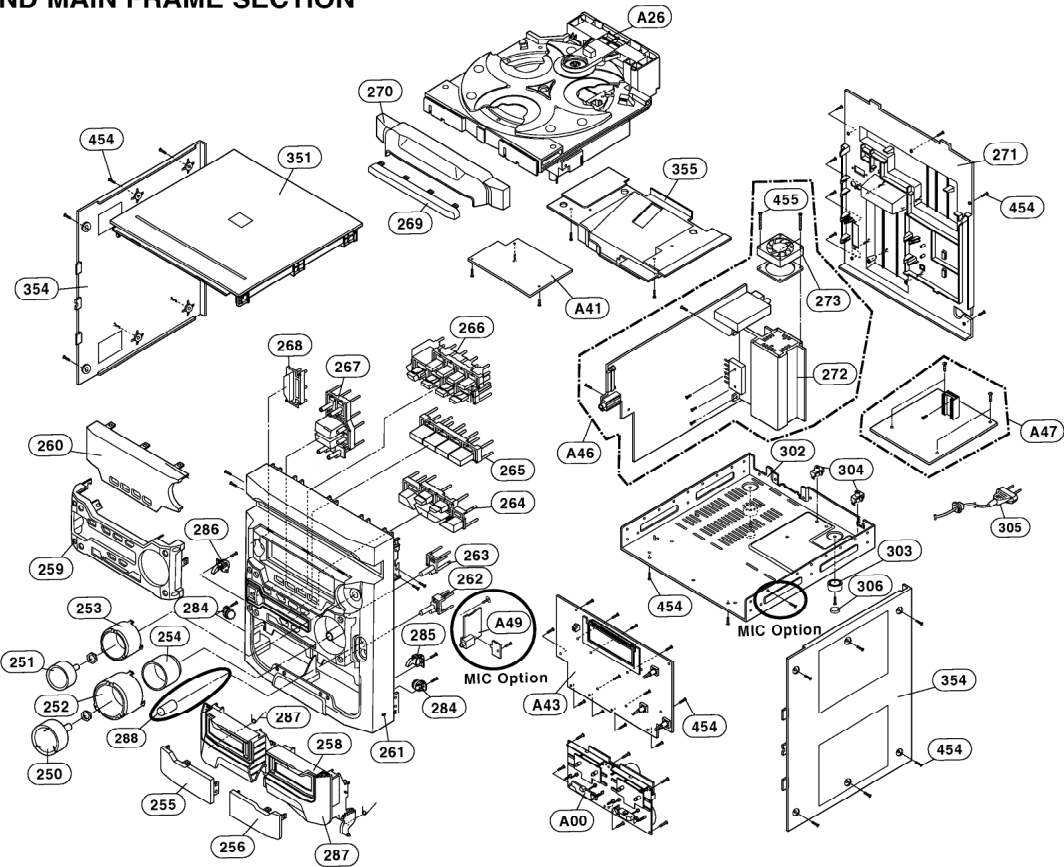
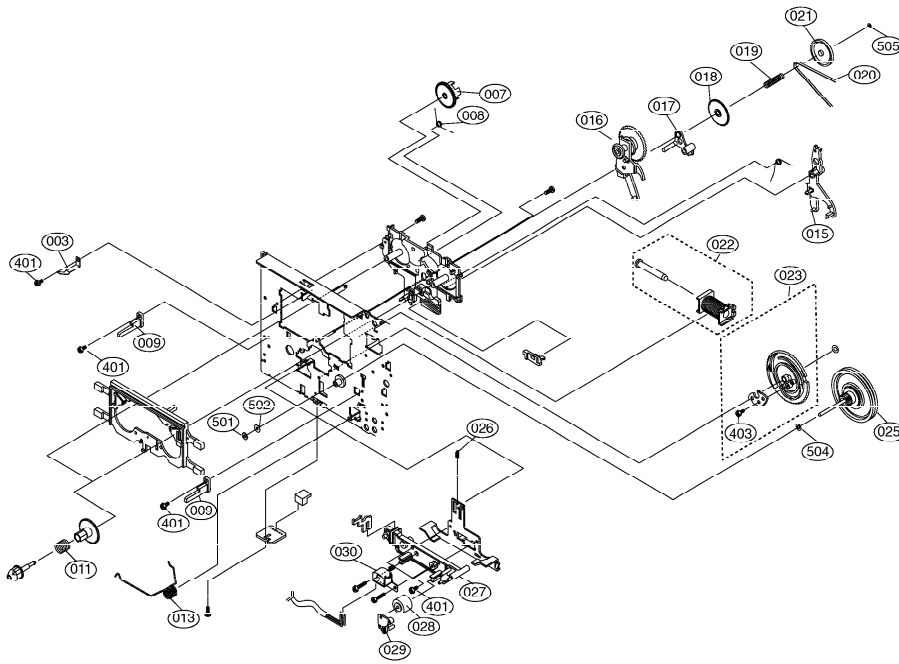


SECTION 3. EXPLODED VIEWS

□ CABINET AND MAIN FRAME SECTION

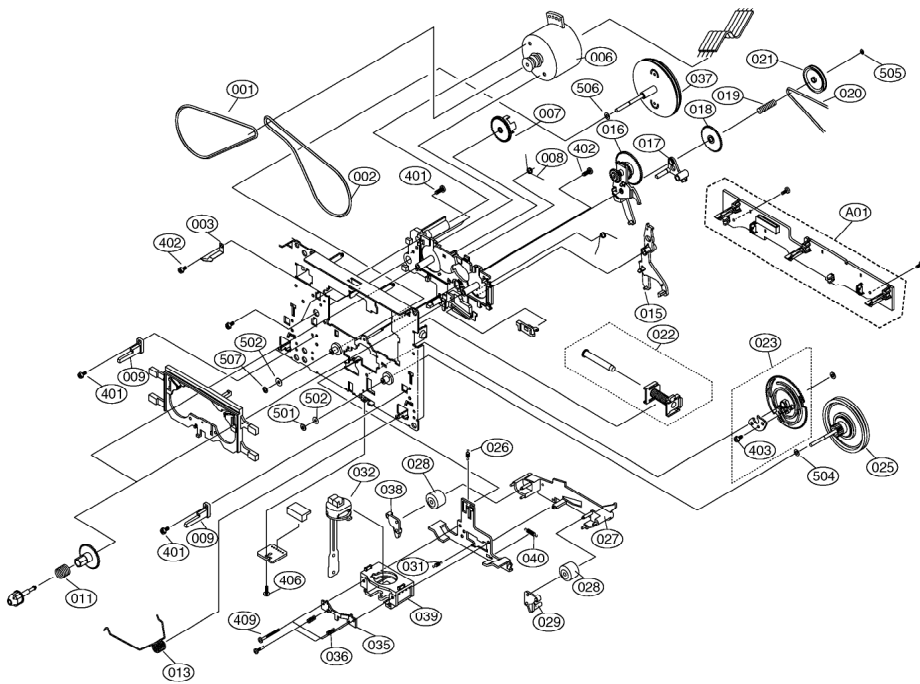


• TAPE DECK MECHANISM (A/R & A/S : LEFT A/S DECK)



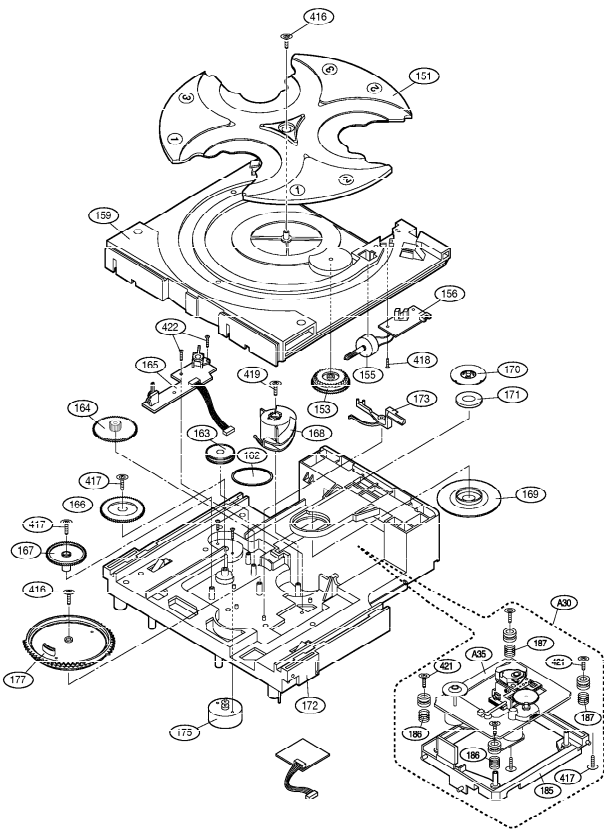
LOCA. NO.	LG PART NO.	DESCRIPTION	SPECIFICATION
A00	6720AG0002C	DECK,AUDIO	CWM42FR47 TOK'YO PIGEON L-DOUBL
003	6768R-PP03A	DECK MECHANISM PARTS	33-160-4309 PIGEON PRESS CASSE
007	6768R-GP03B	DECK MECHANISM PARTS	50-222-4578 PIGEON GEAR IDLER
008	6768R-SP01F	DECK MECHANISM PARTS	01-082-4588 PIGEON SPRING CWL4
009	6768R-MP01C	DECK MECHANISM PARTS	50-219-4014 PIGEON MOLD CWL44
011	6768R-SP01A	DECK MECHANISM PARTS	01-081-4601 PIGEON SPRING CWL4
013	6768R-SP03A	DECK MECHANISM PARTS	01-082-4686 PIGEON SPRING CRM4
015	6768R-AP01A	DECK MECHANISM PARTS	50-268-3016 PIGEON ARM CWL44
016	6768R-GP01H	DECK MECHANISM PARTS	50-093-4503 PIGEON GEAR CRL442
017	6768R-AP01C	DECK MECHANISM PARTS	50-239-4072 PIGEON ARM CWL44
018	6768R-GP01J	DECK MECHANISM PARTS	50-222-4428 PIGEON GEAR CRL442
019	6768R-SP01P	DECK MECHANISM PARTS	01-081-4678 PIGEON SPRING CRL4
020	6768R-BP01C	DECK MECHANISM PARTS	02-083-4188 PIGEON BELT/FELT C
021	6768R-LP01C	DECK MECHANISM PARTS	50-223-4429 PIGEON PULLEY/FLYW
022	6768R-VP03A	DECK MECHANISM PARTS	50-093-4748 PIGEON SOLENOID AS
023	6768R-GP03A	DECK MECHANISM PARTS	50-093-4810 PIGEON GFAR ASSY C
024	6768R-LP03R	DECK MECHANISM PARTS	50-093-31009 PIGEON PL II I FV/FV C
026	6768R-SP01D	DECK MECHANISM PARTS	01-080-4609 PIGEON SPRING CWL4
027	6768R-SP01A	DECK MECHANISM PARTS	50-256-3342 PIGEON I EVER CWL44
028	6768R-RP01A	DECK MECHANISM PARTS	22-027-41054 PIGEON ROLLER CWL
029	6768R-MP01A	DECK MECHANISM PARTS	50-216-4033 PIGEON MOLD CWL44
030	6768R-EP03C	DECK MECHANISM PARTS	T21V0P PIGEON HEAD CWM42FF30
401	6768R-CP01B	DECK MECHANISM PARTS	GSE20A2005 PIGEON SCREW CWL44
403	6768R-CP01D	DECK MECHANISM PARTS	GSL10A1704 PIGEON SCREW CWL44
501	6768R-WP02A	DECK MECHANISM PARTS	CWN1165035040 PIGEON WASHER CFM
502	6768R-WP03B	DECK MECHANISM PARTS	03 000 4582 PIGEON WASHER CRM4
504	6768R-WP01D	DECK MECHANISM PARTS	GWP21X045020 PIGEON WASHER CWL
505	6768R-WP01E	DECK MECHANISM PARTS	GWP12X030040S PIGEON WASHER CW

• TAPE DECK MECHANISM (A/R & A/S : RIGHT A/R DECK)



LOCA. NO.	LG PART NO.	DESCRIPTION	SPECIFICATION
A00	6720AG0002C	DECK,AUDIO	CWM42FR47 TOKYO PIGEON L-DOUBL
A01	6768R-UP03D	DECK MECHANISM PARTS	50-093-4895 PIGEON PWB UNIT CW
001	6768R-BP03D	DECK MECHANISM PARTS	02-093-4254 PIGEON BELT/FELT C
002	6768R-BP03E	DECK MECHANISM PARTS	02-093-4258 PIGEON BELT/FELT C
003	6768R-PP03A	DECK MECHANISM PARTS	33-160-4309 PIGEON PRESS CASSE
006	6768R-QP03C	DECK MECHANISM PARTS	50-093-4880 PIGEON MOTOR(ASSY)
007	6768R-SP03B	DECK MECHANISM PARTS	50-222-4578 PIGEON GEAR IDLER
008	6768R-SP01F	DECK MECHANISM PARTS	01-082-4598 PIGEON SPRING CWL4
009	6768R-MP01C	DECK MECHANISM PARTS	50-219-4014 PIGEON MOLD CWL44
011	6768R-SP01A	DECK MECHANISM PARTS	01-061-4601 PIGEON SPRING CWL4
013	6768R-SP03A	DECK MECHANISM PARTS	01-082-4686 PIGEON SPRING CRM4
015	6768R-AP01A	DECK MECHANISM PARTS	50-268-3016 PIGEON ARM CWL44
016	6768R-GP01H	DECK MECHANISM PARTS	50-093-4503 PIGEON GEAR CRL442
017	6768R-AP01C	DECK MECHANISM PARTS	50-239-4072 PIGEON ARM CWL44
018	6768R-GP01J	DECK MECHANISM PARTS	50-222-4428 PIGEON GEAR CRL442
019	6768R-SP01P	DECK MECHANISM PARTS	01-081-4678 PIGEON SPRING CRL4
020	6768R-BP01C	DECK MECHANISM PARTS	02-093-4188 PIGEON BELT/FELT C
021	6768R-LP01C	DECK MECHANISM PARTS	50-229-4429 PIGEON PULLEY/FLYW
022	6768R-VP03A	DECK MECHANISM PARTS	50-093-4748 PIGEON SOLENOID AS
023	6768R-GP03A	DECK MECHANISM PARTS	50-093-4810 PIGEON GEAR ASSY C
025	6768R-IP03B	DECK MECHANISM PARTS	50-093-3109 PIGEON PULLEY FLY
026	6768R-SP01D	DECK MECHANISM PARTS	01-080-4609 PIGEON SPRING CWL4
027	6768R-DP01A	DECK MECHANISM PARTS	50-259-3342 PIGEON LEVER CWL44
028	6768R-HP01A	DECK MECHANISM PARTS	22-027-41054 PIGEON MOLD CWL44
029	6768R-MP01A	DECK MECHANISM PARTS	50-219-4033 PIGEON MOLD CWL44
031	6768R-SP01A	DECK MECHANISM PARTS	01-082-4731 PIGEON SPRING
032	6768R-FP04A	DECK MECHANISM PARTS	50-093-41007 PIGEON HF AD ASSY
035	6768R-PP04A	DECK MECHANISM PARTS	50-119-4915 PIGEON PRESS
036	6768R-SP04B	DECK MECHANISM PARTS	01-081-4730 PIGEON SPRING
037	6768R-IP03A	DECK MECHANISM PARTS	50-093-4674 PIGEON PULLEY/FLYW
038	6768R-MP01D	DECK MECHANISM PARTS	50-219-4034 PIGEON MOLD CWL44
039	6768R-MP02A	DECK MECHANISM PARTS	50-219-3900 PIGEON MOLD
040	6768R-SP01M	DECK MECHANISM PARTS	01-080-4607 PIGEON SPRING CWL4
041	6768R-CP01R	DECK MECHANISM PARTS	GSE10A2005 PIGEON SCREW CWL44
402	6768R-CP01A	DECK MECHANISM PARTS	GSE10A2003 PIGEON SCREW CWL44
403	6768R-CP01D	DECK MECHANISM PARTS	GSL10A1704 PIGEON SCREW CWL44
406	6768R-CP01G	DECK MECHANISM PARTS	GSE20A2004 PIGEON SCREW CWL44
409	6768R-CP02A	DECK MECHANISM PARTS	GSD10A2016 PIGEON SCREW
501	6768R-WP03A	DECK MECHANISM PARTS	GWN19S035040 PIGEON WASHER CRM
502	6768R-WP03B	DECK MECHANISM PARTS	03-000-4532 PIGEON WASHER CRM4
504	6768R-WP01D	DECK MECHANISM PARTS	GWP21X045020 PIGEON WASHER CWL
505	6768R-WP01E	DECK MECHANISM PARTS	GWP12X0300405 PIGEON WASHER CW
506	6768R-WP01H	DECK MECHANISM PARTS	GWP23X040020 PIGEON WASHER CWL
507	6768R-WP01F	DECK MECHANISM PARTS	GWN21X040040 PIGEON WASHER CWL

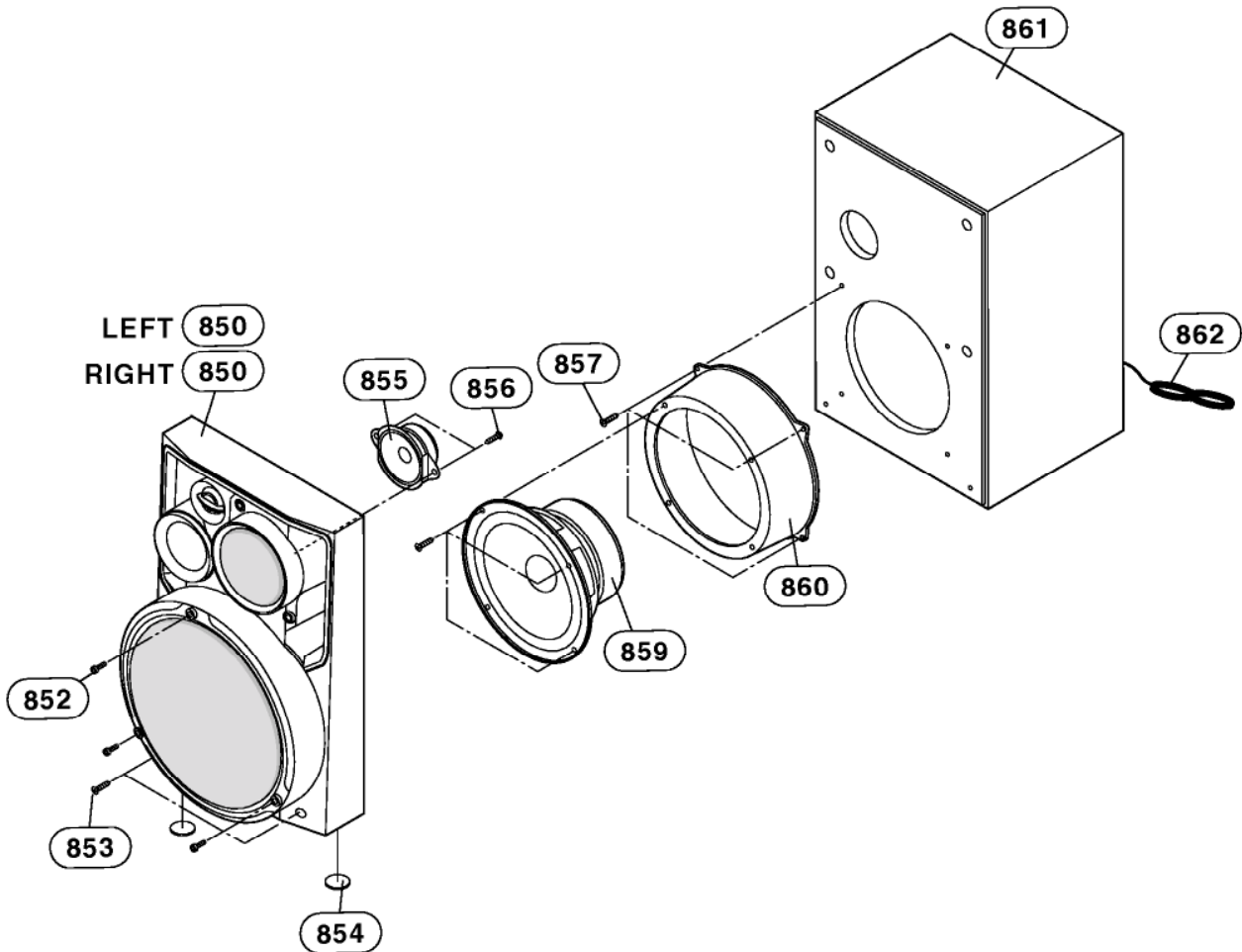
• CD MECHANISM



LOCA.NO.	PART NO	DESCRIPTION	SPECIFICATION
A26	4405RBE004C	MECHANISM ASSEMBLY	CDM-H1503 3 CD CHANGER
A30	3041RB0002C	BASE ASSEMBLY	PU/SPRING DAMPER)
A35	6717RCA001A	PICK UP ASSY	KSM-213VSCM SONY FRONT LOADING
151	3390RB0002A	TRAY	DISC(CDM-H1503)
153	4470RB0005A	GEAR	TRAY (CDM-H1503)
155	4691RBA001A	MOTOR ASSEMBLY	TRAY (CDM-H1503)
156	6871RF2211A	PWB(PCB) ASSEMBLY,FRONT	1503 T/D SENSOR
159	3390RB0001A	TRAY	LOADING(CDM-H1503)
162	4400SB0001A	BELT	MAIN(CDM-H1303)
163	4470SB0003A	GEAR	PULLEY (CDM-H1303)
164	4470RB0003A	GEAR	LOADING (CDM-H1503)
165	6871RZ7036A	PWB(PCB) ASSEMBLY,OTHERS	CDM-H1503 UP/DW/OP/CL
166	4470RB0007A	GEAR	PU UP (LUM-H1503)
167	4470RB0002A	GEAR	PU DOWN (CDM-H1503)
168	4470RB0002A	GEAR	CAM (CDM-H1503)
169	4860SR0001A	CI AMP	DISC(CDM-H1303)
170	3550SB0001A	COVER	MAGNET(CDM-H1303)
171	524-012AAAA	COVER	CLAMP MAGNET (030X018X5T)
172	3040RB0005A	BASE	MAIN (CDM-H1503)
173	4510HB0001A	LEVER	SW CLOSE
175	4680SBP001A	MOTOR(MECH)	OTHER
177	4470RB0003A	GEAR	MAIN (CDM-H1503)
184	4900RB0001A	DAMPER	RUBBER 3CD CHANGER
185	3040SR0003A	BASE	PU(CDM-H1303)
186	4970RB0001A	SPRING	COIL 3 CD CHANGER
187	4970RB0001B	SPRING	COIL 30 3CD CHANGER
416	88H-0004	CD MECHA PARTS	3X12X12FNM
417	88H-0002	CD MECHA PARTS	3X9X12FZMY
418	353-025DAAA	SCREW	#NAME?
419	88H 0003	CD MECHA PARTS	2X12X10FZMY
420	353-0253F	SCRFW	#NAME?
421	6756SBX001A	CD MECHANISM PARTS	SCREW 2.6X10X10XFZMY CDM-H813
422	353-028H	SCREW	#NAME?

SECTION 4. SPEAKER SECTION

□ MODEL: LMS-M1040



LOCA.NO	PART NO.	DESCRIPTION	SPECIFICATION
850	3720RMF113A	PANEL,FRONT	SPK LMS-M1040 MOLD FRONT PANEL
851	3720RMF114A	PANEL,FRONT	SPK LMS-M1040 MOLD FRONT PANEL
852	353M075H	SCREW,DRAWING	H1 D3.5 L10.0 MSWR3/FN CHROME
853	353M050C	SCREW,DRAWING	BH 3.5X16 FBK
854	3610RM0005A	FOOT	EVA PHI 20 X 2T FE-986/886E ST
855	6400TETB04A	SPEAKER,TWEETER	06N45EHC4067 EAW TWEETER(CONE)
856	353M025F	SCREW,DRAWING	TAPTITE, 3X8 FZMY
857	353M050E	SCREW,	WOOD, 4X16 FBK
858	353M050H	SCREW,DRAWING	+ 1 D4.0 L12.0 MSWR3/FZY FE-35
859	6400WETJ10A	SPEAKER,WOOFER	16LAOEH4063C EAW WOOFER 6OHM
860	4980RM0001A	SUPPORTER	SPK LMS-1030 MOLD W/F SUPPORT
861	3091RMW114A	CABINET ASSEMBLY	SPK LMS-M1040 CABINET ASS'Y