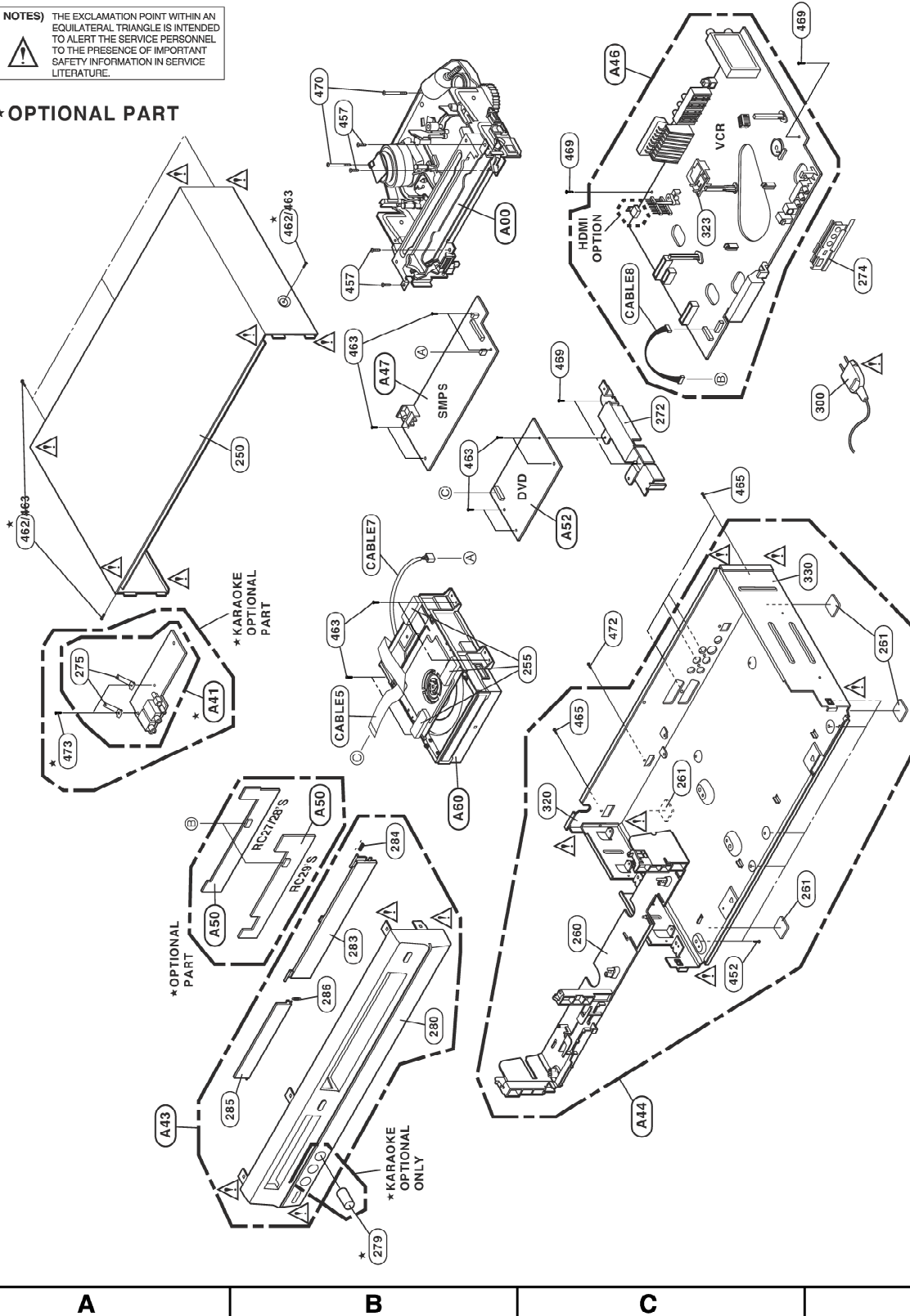


EXPLODED VIEWS

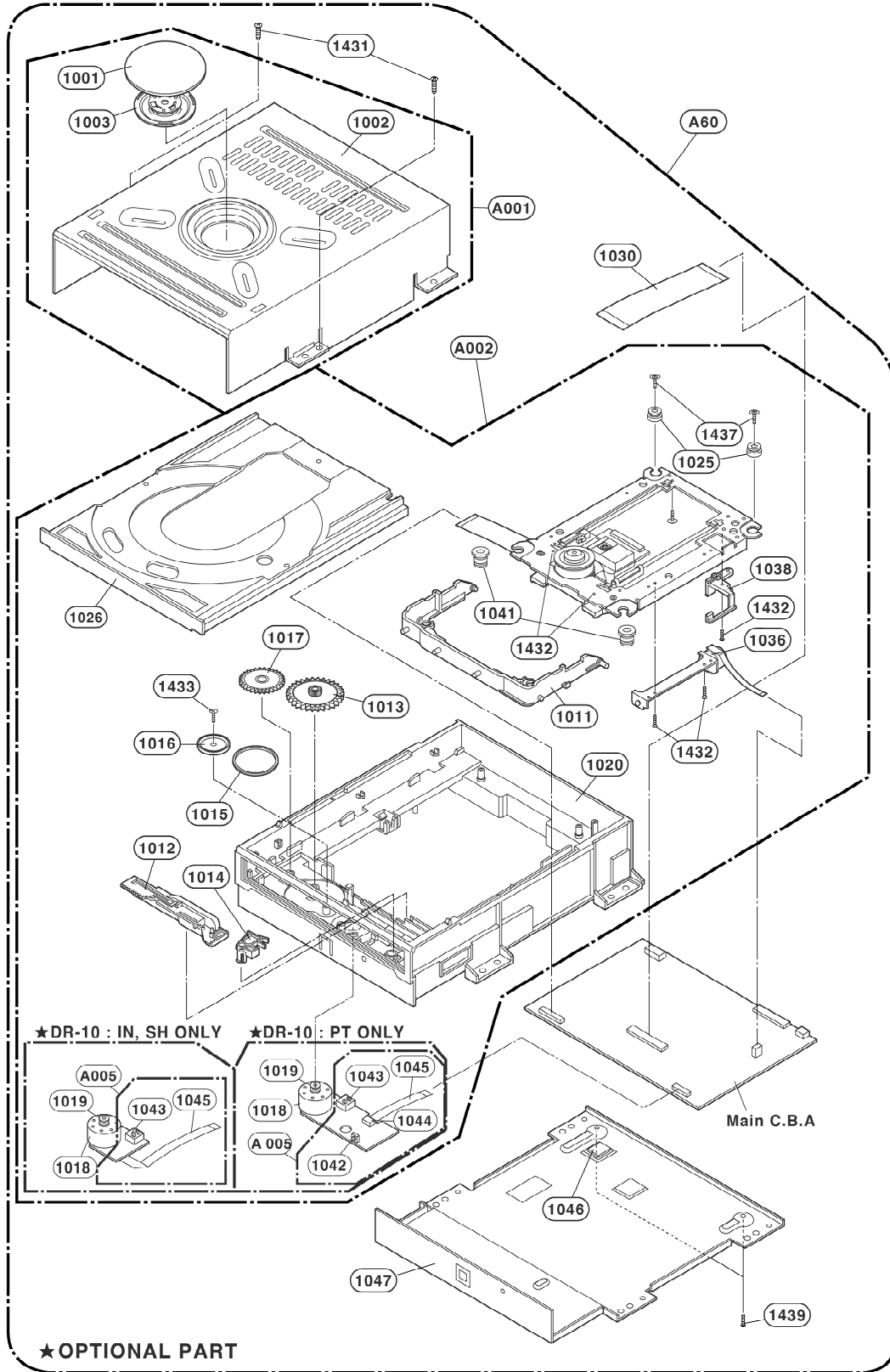
1. CABINET AND MAIN FRAME SECTION

NOTES) THE EXCLAMATION POINT WITHIN AN EQUILATERAL TRIANGLE IS INTENDED TO ALERT THE SERVICE PERSONNEL TO THE PRESENCE OF IMPORTANT SAFETY INFORMATION IN SERVICE LITERATURE.

* OPTIONAL PART

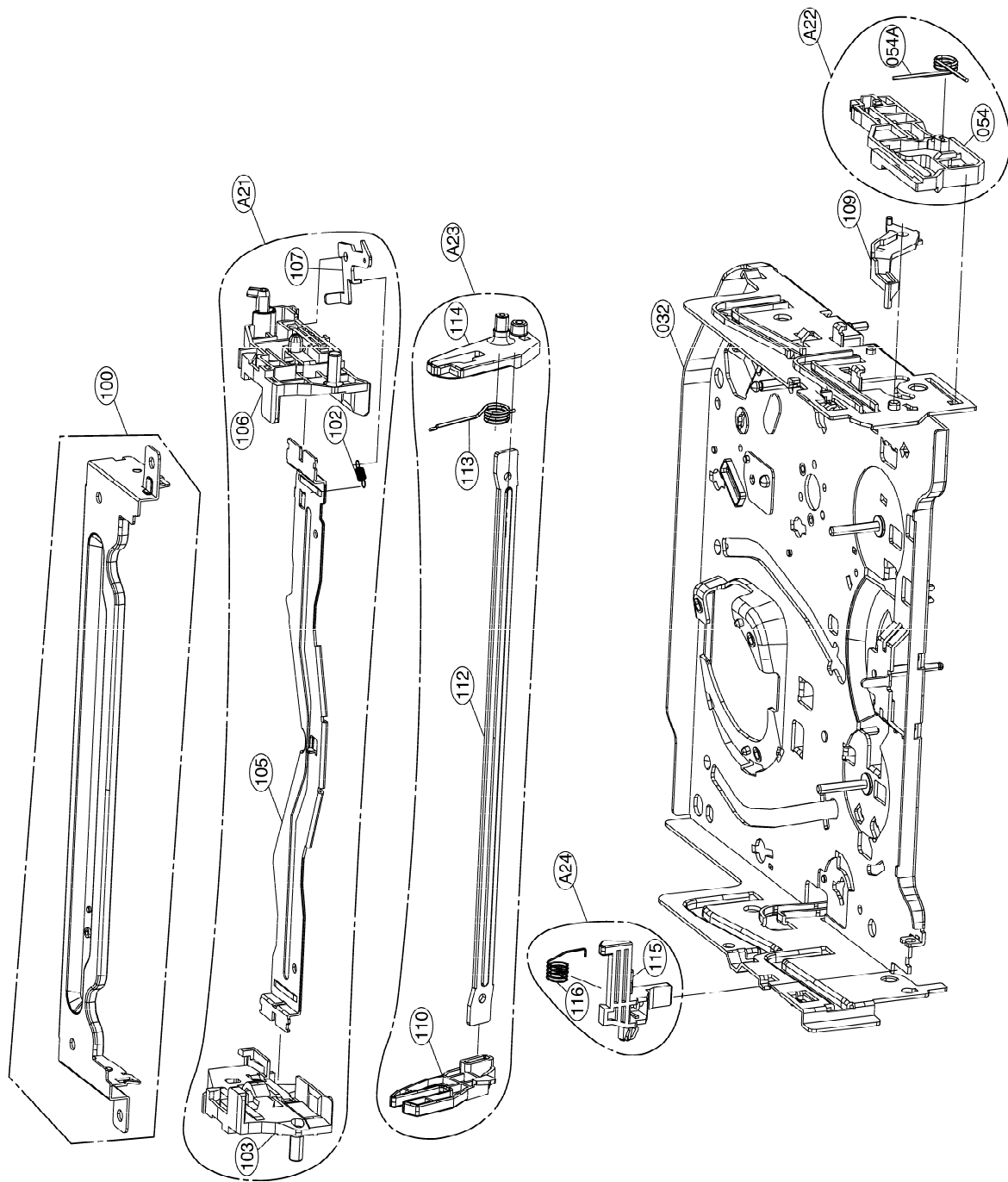


2. DECK MECHANISM SECTION (RS-02A(DR-10A))



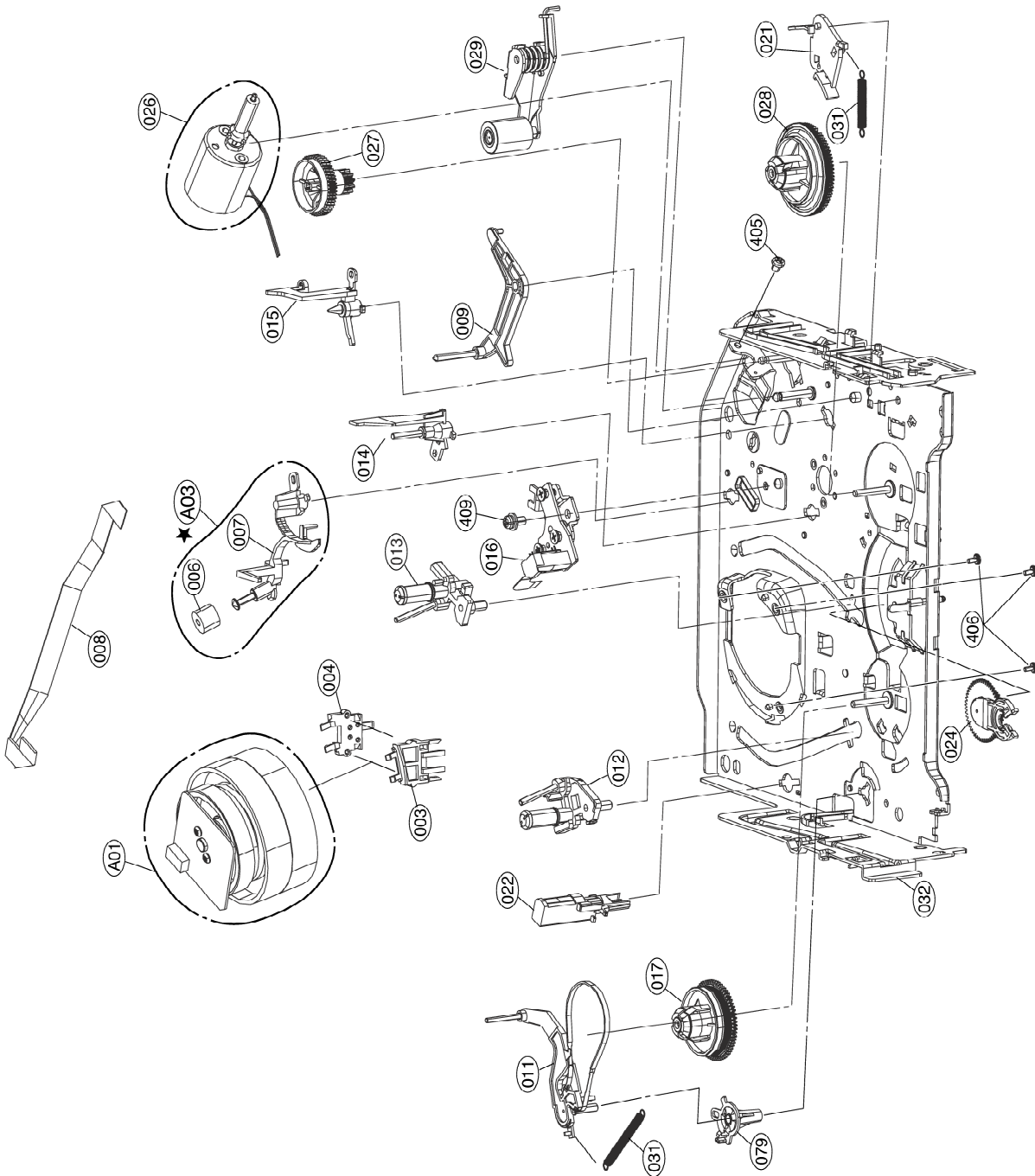
3. DECK MECHANISM SECTION (D37(N))

3-1. Front loading mechanism section



3-2. Moving mechanism section (1)

★ OPTIONAL PART



4. PACKING ACCESSORY SECTION

★ OPTIONAL PARTS

