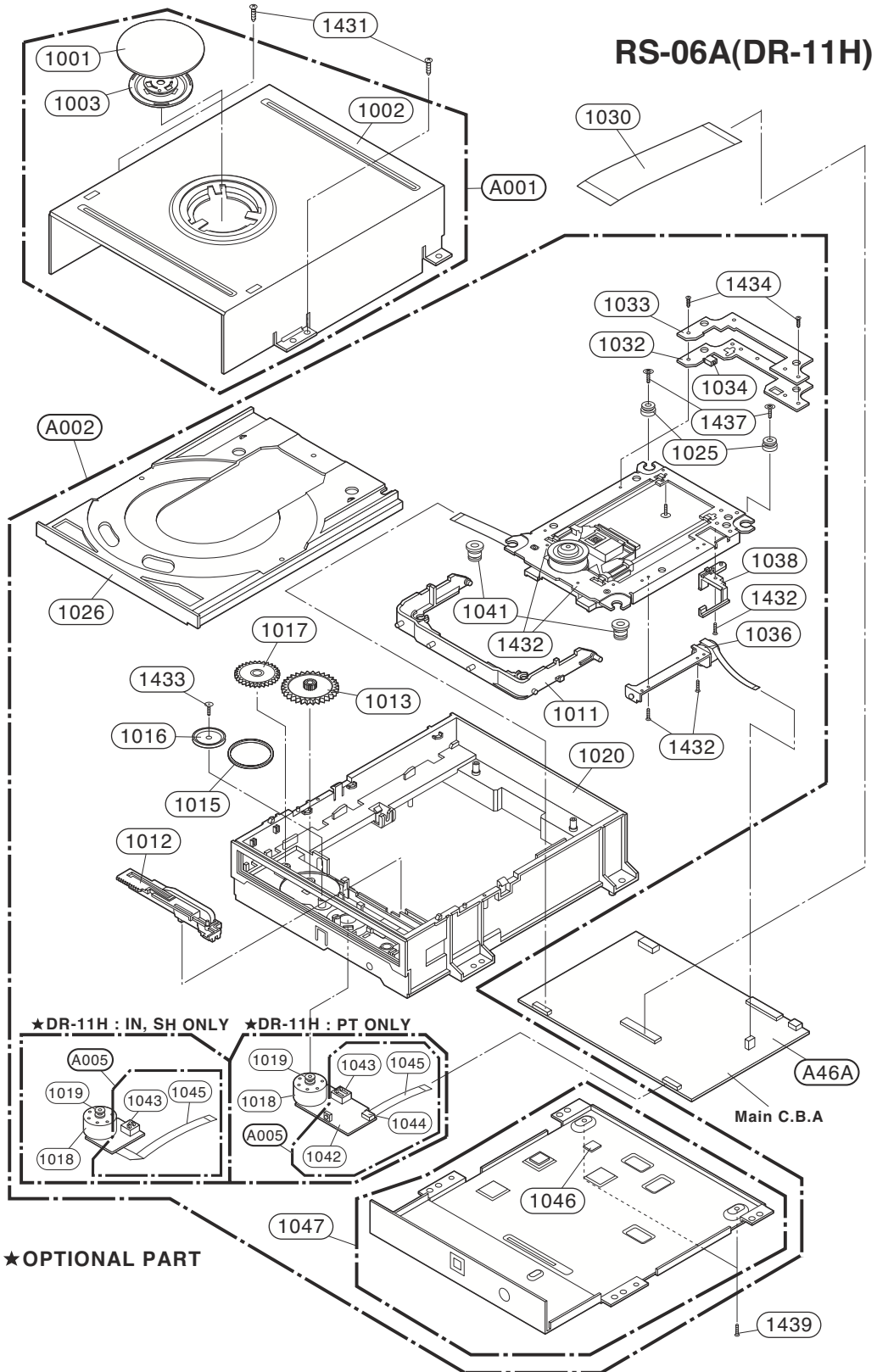


2. DECK MECHANISM SECTION (RS-06A)



3. PACKING ACCESSORY SECTION

