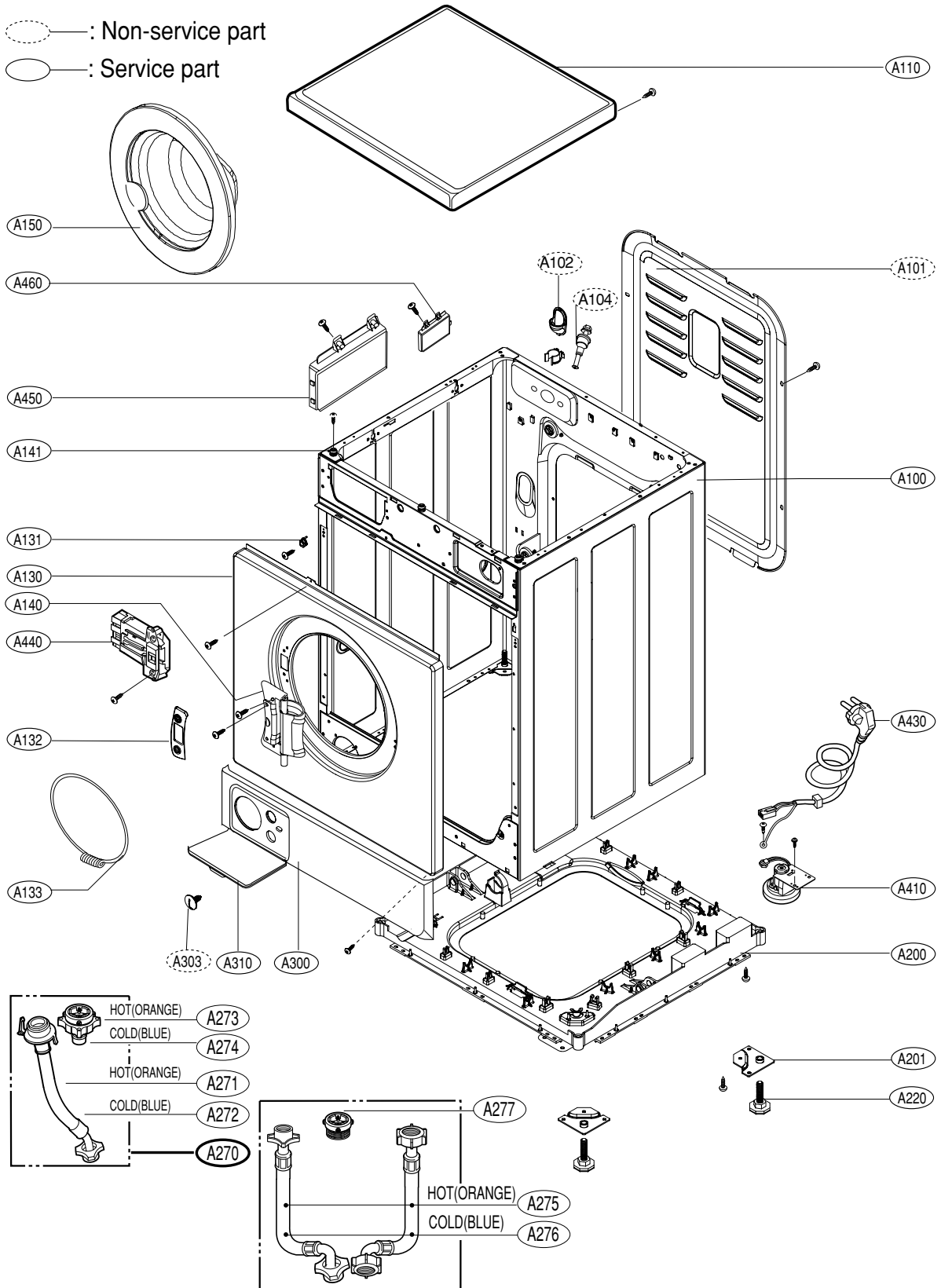
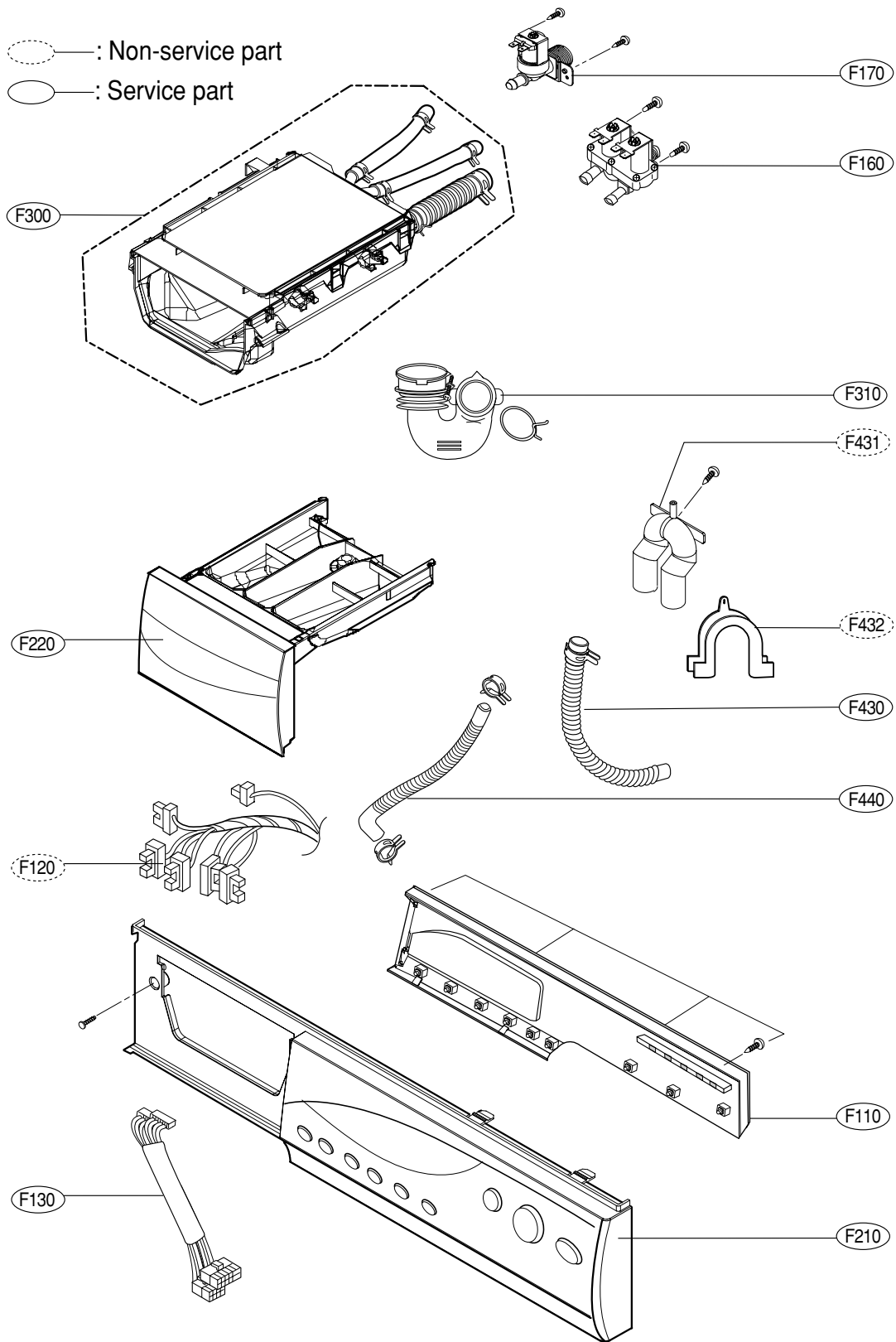


# 11. EXPLODED VIEW

## 11-1. THE EXPLODED VIEW OF CABINET ASSEMBLY

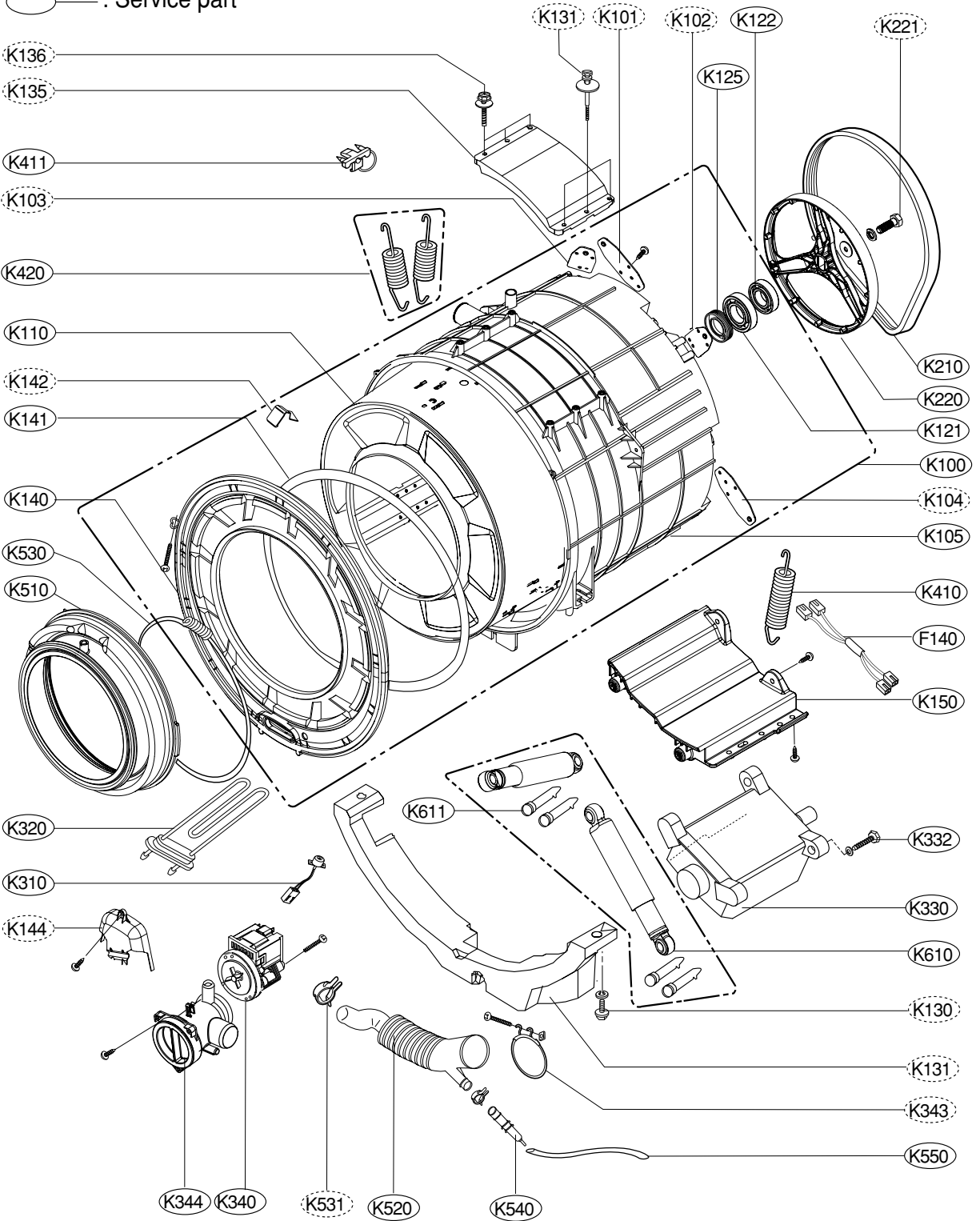


# 11-2 THE EXPLODED VIEW OF CONTROL PANEL & DISPENSER



# 11-3 THE EXPLODED VIEW OF DRUM & TUB ASSEMBLY

○ : Non-service part  
 ○ : Service part



Feuille1

Sales Model	Loc No.	Part No	Date part began being used	End Date
	*001	3829ER3001R	2001-05-25	
	*002	3890EZ3178B	2001-05-25	
	*003	3W20018B	2001-05-25	
	A100	3091FR0045A	2001-05-25	
	A110	3301ER1001A	2001-05-25	
	A110	3301ER1001A	2001-05-25	
	A130	3550FR1213A	2001-05-25	
	A131	4930FR4157A	2001-05-25	
	A140	4775FR2114C	2001-05-25	
	A141	4930ER4001A	2001-05-25	
	A150	3581ER1001A	2001-05-25	
	A150	3581ER1001A	2001-05-25	
	A200	3041FR1135C	2001-05-25	
	A201	4810FR4136A	2001-05-25	
	A220	5413FR4154A	2001-05-25	
	A276	3W40102G	2001-05-25	
	A276	3W40102G	2001-05-25	
	A300	3550FR1166A	2001-05-25	
	A310	5006FR3179A	2001-05-25	
	A410	6600FR1203E	2001-05-25	
	A430	6411FR1169N	2001-05-25	
	A440	6601ER1001A	2001-05-25	
	A450	6871EC1006P	2001-05-25	
	A460	6871FC2262C	2001-05-25	
	A460	6871FC2262C	2001-05-25	
	A480	5874FA2381B	2001-05-25	
	A480	5874FA2381B	2001-05-25	
	F110	6871EC2002A	2001-05-25	
	F160	5220FR1251A	2001-05-25	
	F160	5220FR1251A	2001-05-25	
	F210	3721ER1003E	2001-05-25	
	F220	3721ER1002A	2001-05-25	
	F300	4925FR1137F	2001-05-25	
	F310	4738FR2065A	2001-05-25	
	F430	5214FD3663C	2001-05-25	
	F430	5214FD3663C	2001-05-25	
	F440	5214FR3188A	2001-05-25	
	K100	3045FR0032D	2001-05-25	
	K105	3045FR0031C	2001-05-25	
	K110	3044FR1220D	2001-05-25	
	K121	4280FR4048B	2001-05-25	
	K122	4280FR4048C	2001-05-25	
	K125	4036ER3001A	2001-05-25	
	K140	3044FR0027A	2001-05-25	
	K141	4036FR4123A	2001-05-25	
	K150	4811ER1001C	2001-05-25	
	K210	4400FR3116A	2001-05-25	
	K210	4400FR3116A	2001-05-25	
	K220	4560FR1149A	2001-05-25	

Feuille1

K220	4560FR1149A	2001-05-25
K310	6322FR2046B	2001-05-25
K320	5301FR1158C	2001-05-25
K330	4681FR1194A	2001-05-25
K330	4681FR1194A	2001-05-25
K331	5203ER4001A	2001-05-25
K332	4040FR4051G	2001-05-25
K333	1NZZFR4175A	2001-05-25
K340	4681EA2002B	2001-05-25
K344	3661FR2093A	2001-05-25
K344	3661FR2093A	2001-05-25
K410	4970FR2084B	2001-05-25
K410	4970FR2084B	2001-05-25
K411	4930FR3040A	2001-05-25
K411	4930FR3040A	2001-05-25
K420	4970FR2084A	2001-05-25
K420	4970FR2084A	2001-05-25
K510	4987FR1165B	2001-05-25
K520	4738FR1145A	2001-05-25
K520	4738FR1145A	2001-05-25
K530	4861ER2001A	2001-05-25
K540	3504FR3134A	2001-05-25
K540	3504FR3134A	2001-05-25
K550	5214FR4125J	2001-05-25
K550	5214FR4125J	2001-05-25
K610	4901FR2080A	2001-05-25
K610	4901FR2080A	2001-05-25
K611	4774FR3118B	2001-05-25
K611	4774FR3118B	2001-05-25

Feuille1

Description	Code	Alter	B/Part No	Origin	Note
MANUAL ASSY,OWNERS	R			KR	
BOX,CARTON	R			KR	
SPANNER	R			KR	
CABINET ASSEMBLY	R			KR	
TOP PLATE ASSEMBLY	R			KR	
TOP PLATE ASSEMBLY	R			PN	
COVER,CABINET	R			KR	
HOLDER	R			KR	
HINGE ASSEMBLY	R			KR	
HOLDER	R			KR	
DOOR ASSEMBLY	R			KR	
DOOR ASSEMBLY	R			PN	
BASE ASSY,ANTI RAT	R			KR	
BRACKET,BASE	R			KR	
LEG ASSEMBLY	R			KR	
HOSE ASSEMBLY,INLET	R			KR	
HOSE ASSEMBLY,INLET	R			PN	
COVER,LOWER	R			KR	
CAP,COVER	R			KR	
SWITCH ASSEMBLY,SENSOR SWITCH	R			KR	
POWER CORD ASSEMBLY	R			KR	
SWITCH ASSEMBLY,DOOR	R			KR	
PWB(PCB) ASSEMBLY,MAIN	R			KR	
PWB(PCB) ASSEMBLY,POWER	R			PN	
PWB(PCB) ASSEMBLY,POWER	R			KR	
REACTOR	R			PN	
REACTOR	R			KR	
PWB(PCB) ASSEMBLY,DISPLAY	R			KR	
VALVE ASSEMBLY,INLET	R			PN	
VALVE ASSEMBLY,INLET	R			KR	
PANEL ASSY,CONTROL	R			KR	
PANEL ASSY,DRAWER	R			KR	
DISPENSER ASSY	R			KR	
BELLOWS	R			KR	
HOSE,DRAIN	R			PN	
HOSE,DRAIN	R			KR	
HOSE,PUMP	R			KR	
TUB ASSY,DRUM	R			KR	
TUB ASSY,OUTER[SUB4]	R			KR	
TUB ASSY,INNER[DRUM]	R			KR	
BEARING,BALL	R			KR	
BEARING,BALL	R			KR	
SEAL	R			KR	
COVER,TUB	R			KR	
GASKET,TUB COVER	R			KR	
BRACKET ASSEMBLY	R			KR	
BELT,POLY-V	R			PN	
BELT,POLY-V	R			KR	
PULLEY,DRUM	R			PN	

Feuille1

PULLEY,DRUM	R	KR
THERMISTOR ASSEMBLY	R	KR
HEATER ASSEMBLY	R	KR
MOTOR ASSEMBLY,WM	R	PN
MOTOR ASSEMBLY,WM	R	KR
BRUSH ASSEMBLY	R	KR
BOLT ASSEMBLY	R	KR
NUT,DRAWING	R	KR
MOTOR ASSEMBLY,PUMP	R	KR
CASING ASSY,PUMP	R	KR
CASING ASSY,PUMP	R	PN
SPRING,HINGE	R	PN
SPRING,HINGE	R	KR
HOLDER	R	KR
HOLDER	R	PN
SPRING,HINGE	R	PN
SPRING,HINGE	R	KR
GASKET ASSEMBLY	R	KR
BELLOWS	R	PN
BELLOWS	R	KR
CLAMP ASSEMBLY	R	KR
CHAMBER,AIR	R	KR
CHAMBER,AIR	R	PN
HOSE,INLET	R	PN
HOSE,INLET	R	KR
DAMPER ASSEMBLY,FRICITION	R	PN
DAMPER ASSY,FRICITION	R	KR
HINGE	R	KR
HINGE	R	PN





