



website : <http://www.LGService.com>

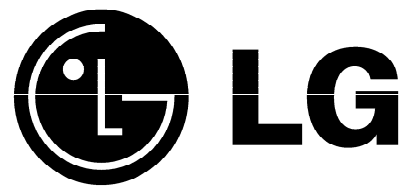
e-mail : <http://LGService.com/techsup.html>

# WASHING MACHINE SERVICE MANUAL

## CAUTION

READ THIS MANUAL CAREFULLY TO DIAGNOSE TROUBLE  
CORRECTLY BEFORE OFFERING SERVICE.

MODEL :   WD(M)-8070F(H)(B)           WD(M)-1174(6)F(H)B  
              WD(M)-1070(5)F(H)(B)   WD(M)-1274(6)F(H)B  
              WD(M)-1170(5)F(H)B   WD(M)-1374(6)F(H)B  
              WD(M)-1270(5)F(H)B   WD-1078FHB  
              WD(M)-1370(5)F(H)B   WM-1171(6)FHB  
              WD-8078FHB            WM-1371(6)FHB  
              WD(M)-8074F(H)B       WD-1271FB(B)  
              WD(M)-1074(6)F(H)B   WD-1071FB(B)



DEC. 2001 PRINTED IN KOREA

P/No.:3828ER3008E

---

# CONTENTS

1. SPECIFICATION.....	3
2. FEATURES & TECHNICAL EXPLANATION .....	4
3. PARTS IDENTIFICATION .....	6
4. INSTALLATION .....	7
5. OPERATION .....	10
6. WIRING DIAGRAM.....	12
7. PROGRAM CHART .....	13
8. TROUBLESHOOTING.....	14
8-1.BEFORE PERFORMING SERVICE .....	14
8-2.QC TEST MODE.....	14
8-3.HOW TO KNOW THE WATER LEVEL FREQUENCY.....	14
8-4.ERROR DISPLAY .....	15
9. ERROR DIAGNOSIS AND CHECK LIST .....	17
9-1. DIAGNOSIS AND ANSWER FOR ABNORMAL OPERATION .....	17
9-2. FAULT DIAGNOSIS AND TROUBLESHOOTING .....	20
10. DISASSEMBLY INSTRUCTIONS .....	30
11. EXPLODED VIEW AND PART LIST .....	37
11-1. THE EXPLODED VIEW OF CABINET ASSEMBLY.....	37
11-2. THE EXPLODED VIEW OF CONTROL PANEL & DISPENSER ASSEMBLY .....	39
11-3. THE EXPLODED VIEW OF DRUM & TUB ASSEMBLY .....	40
* APPENDIX (Replacement parts list).....	42

# 1. SPECIFICATION

ITEM	WD(M)-8070F(H)/1070(5)F(H)	WD(M)-8070F(4)(H)B/1070(5)F(H)B/1170(5)F(H)B WD(M)-1270(5)F(H)B/1370(5)F(H)B WD(M)-1074(6)F(H)B/1174(6)F(H)B WD(M)-1274(6)F(H)B/1374(6)F(H)B WD-8078FHB/1078FHB WM-1171(6)FHB WM-1371(6)FHB WD-1271FB(B), WD-1071FB(B)	
POWER SUPPLY	220-240V~, 50Hz		
PRODUCT WEIGHT	67kg	63kg	
WASHING	190W	150W	
ELECTRICITY CONSUMPTION	SPIN (800rpm)	300W	
	DRAIN MOTOR	32W	
	WASH HEATER	2000W	
REVOLUTION SPEED	WASH	45rpm	
	SPIN	WD(M)-8070(4)F(H)(B)/WD-8078FHB	400/600/800 rpm
		WD(M)-1070(5)F(H)(B)/1074(6)F(H)B/WD-1078FHB/1071FB(B)	400/600/800/1000 rpm
		WD(M)-1170(5)F(H)B/1174(6)F(H)B/WM-1171(6)FHB	400/600/800/1100 rpm
		WD(M)-1270(5)F(H)B/1274(6)F(H)B/1271FB(B)	400/600/800/1000/1200 rpm
WD(M)-1370(5)F(H)B/1374(6)F(H)B/WM-1371(6)FHB(B)		400/600/800/1100/1300 rpm	
OPERATION WATER PRESSURE	0.3-10kgf/cm <sup>2</sup> (30-1000kPa)		
CONTROL TYPE	Electronic		
WASH CAPACITY	7.0kg		
	Synthetic (4.0kg), Delicate (3.0kg) Wool (2.0kg) Hand Wash (2.0kg)		
DIMENSION	600mm (W) × 600mm (D) × 850mm (H)		
WASH PROGRAM	Whites, Coloureds, Synthetic, Delicate, Wool, Hand Wash		
	Rinse+Spin, Spin, Pump		
OPTION	Bio, Rinse +, Eco, Pre Wash		
DOOR SWITCH TYPE	Bi-Metal type		
WATER LEVEL	9 steps (by sensor)		
RESERVATION	From 3 hours to 19 hours		
SENSING OF THE LAUNDRY AMOUNT	Adopted		
FUZZY LOGIC	Adopted		
DISPLAY OF THE REMAINING TIME	Adopted		
ERROR DIAGNOSIS	7items	10items	
POWER AUTO OFF	Adopted		
CHILD LOCK	Adopted		
AUTO RESTART	Adopted		

## 2. FEATURES & TECHNICAL EXPLANATION

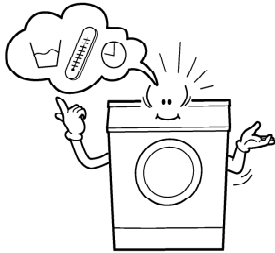
---

### 2-1.FEATURES



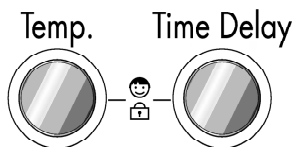
#### ■ **Jumbo drum**

LG's jumbo drum can wash about 40% more per load than conventional washing machine. A bigger drum improves the wash performance.



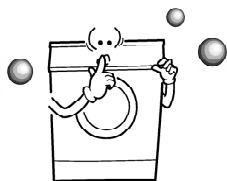
#### ■ **More economical by Fuzzy Logic System**

FUZZY Logic System detects the amount of load and water temperature, and then determines the optimum water level and washing time to minimize energy and water consumption.



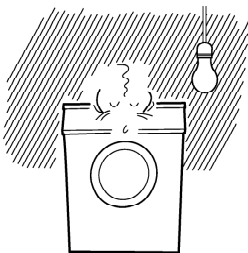
#### ■ **Child-Lock**

The Child-Lock system has been developed to prevent children from pressing any button to change the programme during operation.



#### ■ **Low noise speed control system**

By sensing the amount of load and balance, automatical distributes load evenly to minimize the spinning noise level.



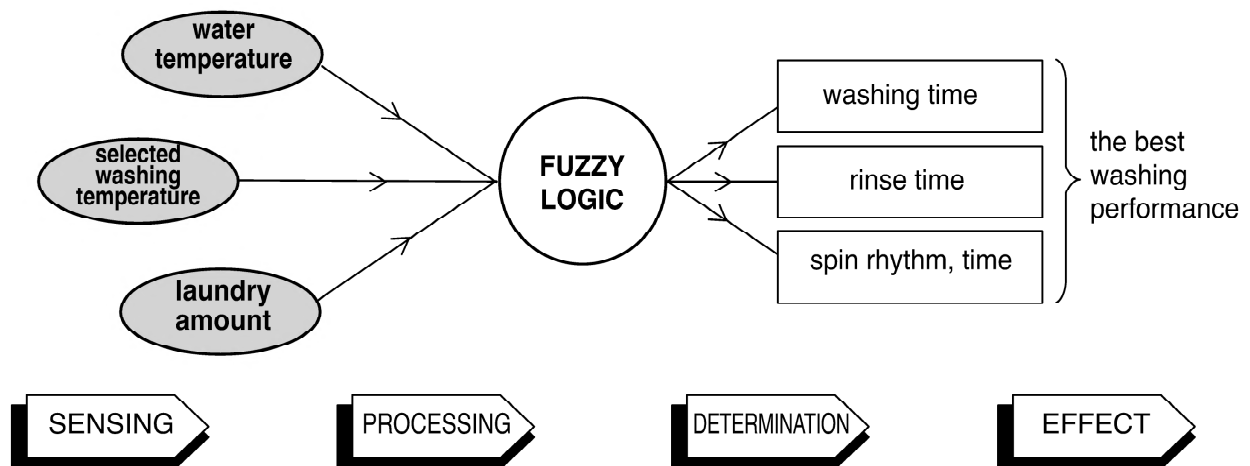
#### ■ **Auto Restart**

Although the washing machine is turned off by a power failure, it restarts automatically where it stopped when power is supplied again. It will be the same when the machine unplugged and is plugged in again.

---

## 2-2.DETERMINE WASHING TIME BY FUZZY LOGIC

To get the best washing performance optimal time is determined by sensing of water temperature, selected washing temperature and laundry amount.



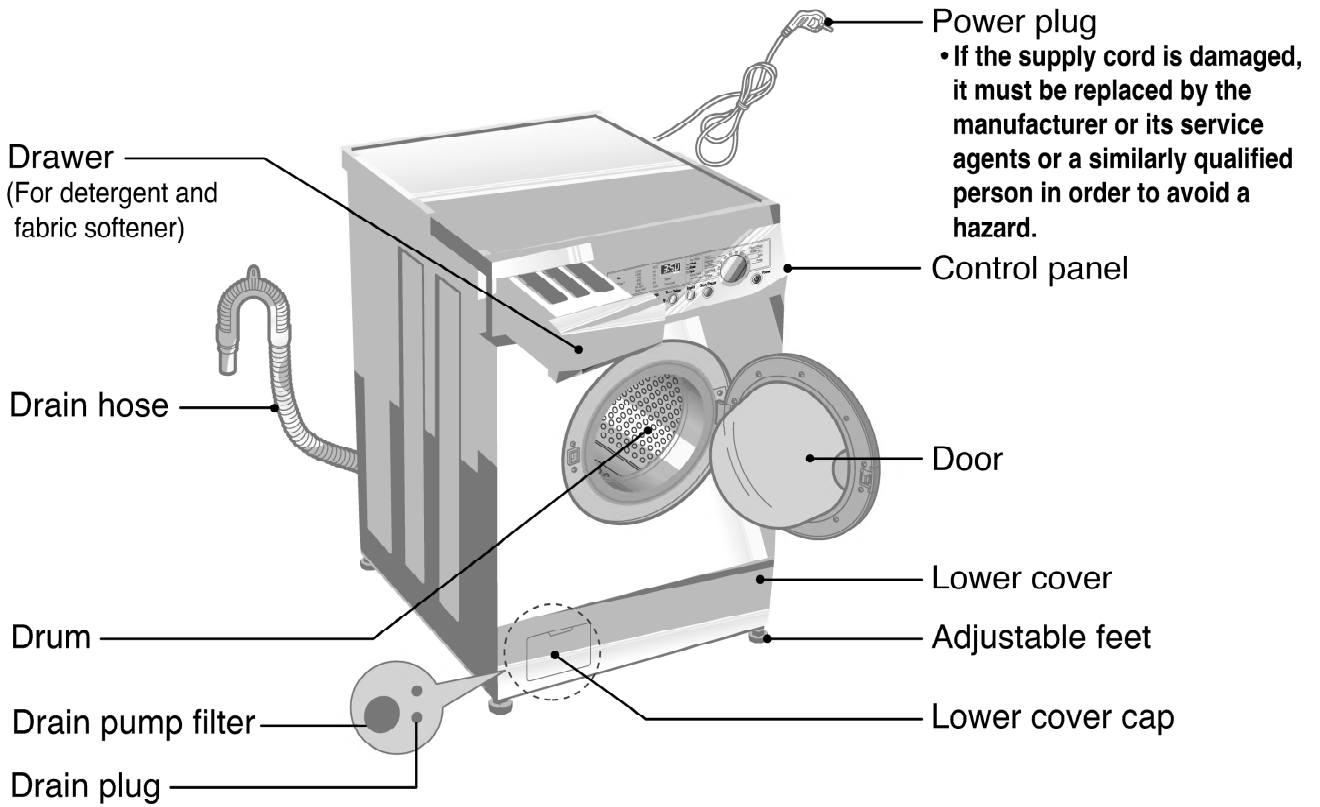
## 2-3.WATER LEVEL CONTROL

- This model adopts a pressure sensor which can sense the water level in the tub.
- When the water level reaches to the preset level the water supply is stopped, then the washing program proceeds.
- Spinning does not proceed until the water in the tub reduces a certain level.

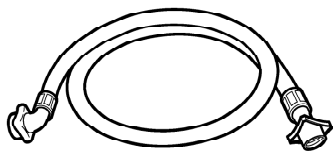
## 2-4.THE DOOR CAN NOT BE OPENED

- While program is operating.
- While Door Lock light turns on.

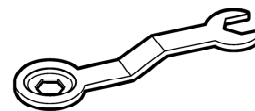
# 3. PARTS IDENTIFICATION



## ■ ACCESSORIES



Hot/Cold (2EA)  
Cold (1EA)



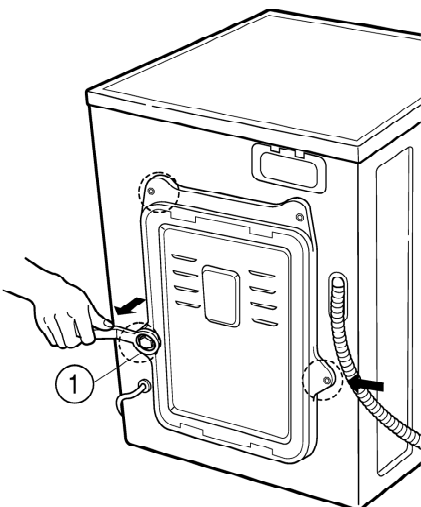
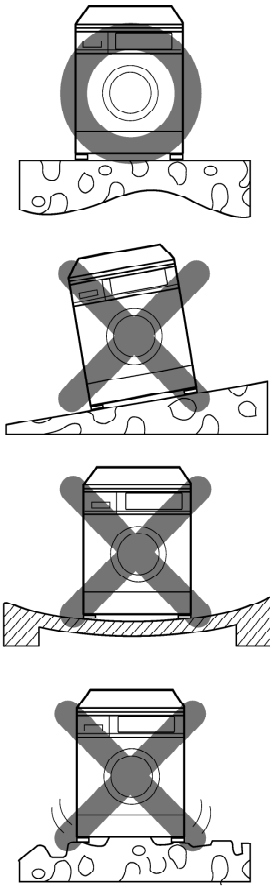
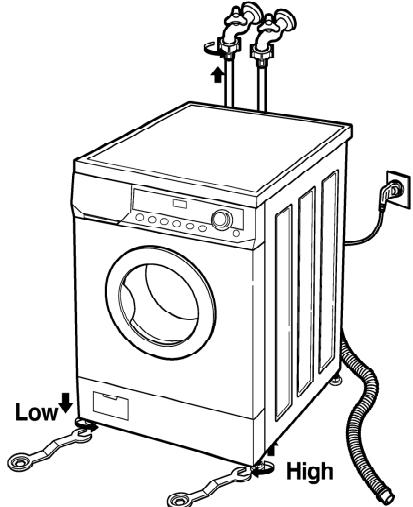
Wrench

# 4. INSTALLATION

- ① Before servicing ask the customer what the trouble is.
- ② Check the adjustment (power supply is 220-240V, remove the transit bolts....)
- ③ Check the troubles referring to the troubleshooting.
- ④ Decide service steps referring to disassembly instructions.
- ⑤ Then, service and repair.
- ⑥ After servicing, operate the appliance to see whether it works O · K or NOT.

## ■ STANDARD INSTALLATION

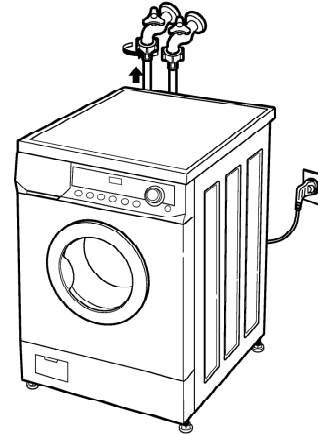
The appliance should be installed as follows.

REMOVE THE TRANSIT BOLTS	INSTALL THE APPLIANCE ON FLAT AND FIRM SURFACE	ADJUST THE HORIZONTAL
<ul style="list-style-type: none"> <li>• Remove the transit bolts (4EA: ①) with supplied wrench.</li> <li>• Keep the transit bolts and wrench for future use.</li> <li>• Insert the 4 caps provided into the hole.</li> </ul> 		<ul style="list-style-type: none"> <li>• Turn the adjustable feet to set the appliance horizontally.</li> </ul>  <ul style="list-style-type: none"> <li>• The appliance goes up by rotating the feet clockwise.</li> <li>• The appliance comes down by rotating the feet counter-clockwise.</li> </ul>

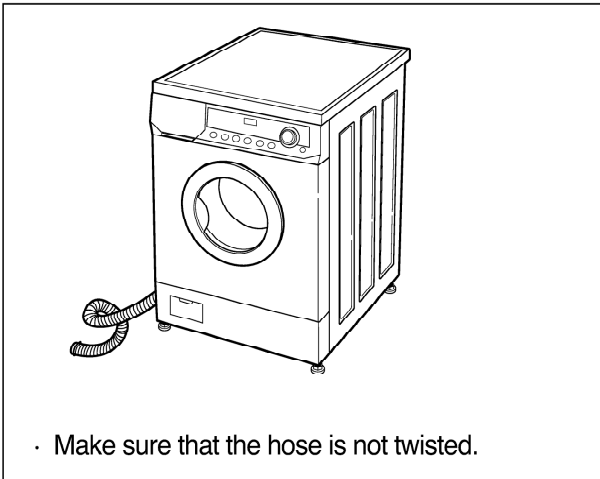


## ■ HOW TO CONNECT INLET HOSE

- Check that the rubber washer is inside of the valve connector.
- Connect the inlet hose firmly to prevent leak.

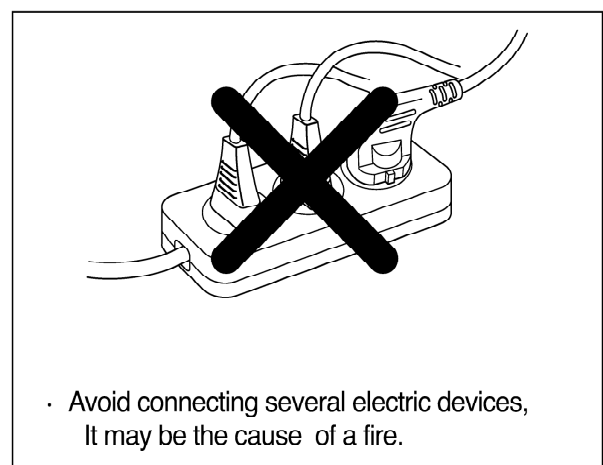
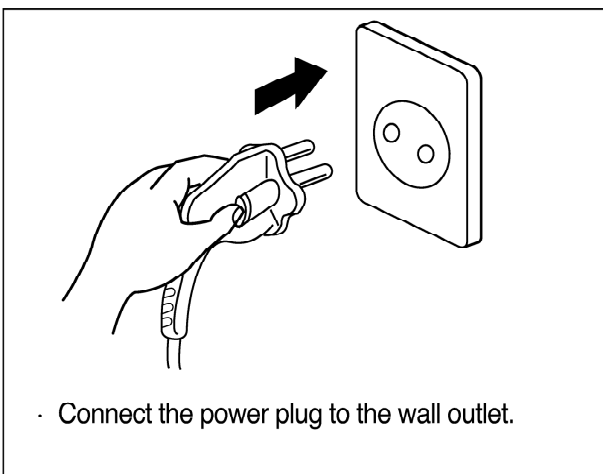


## ■ CONNECT DRAIN HOSE

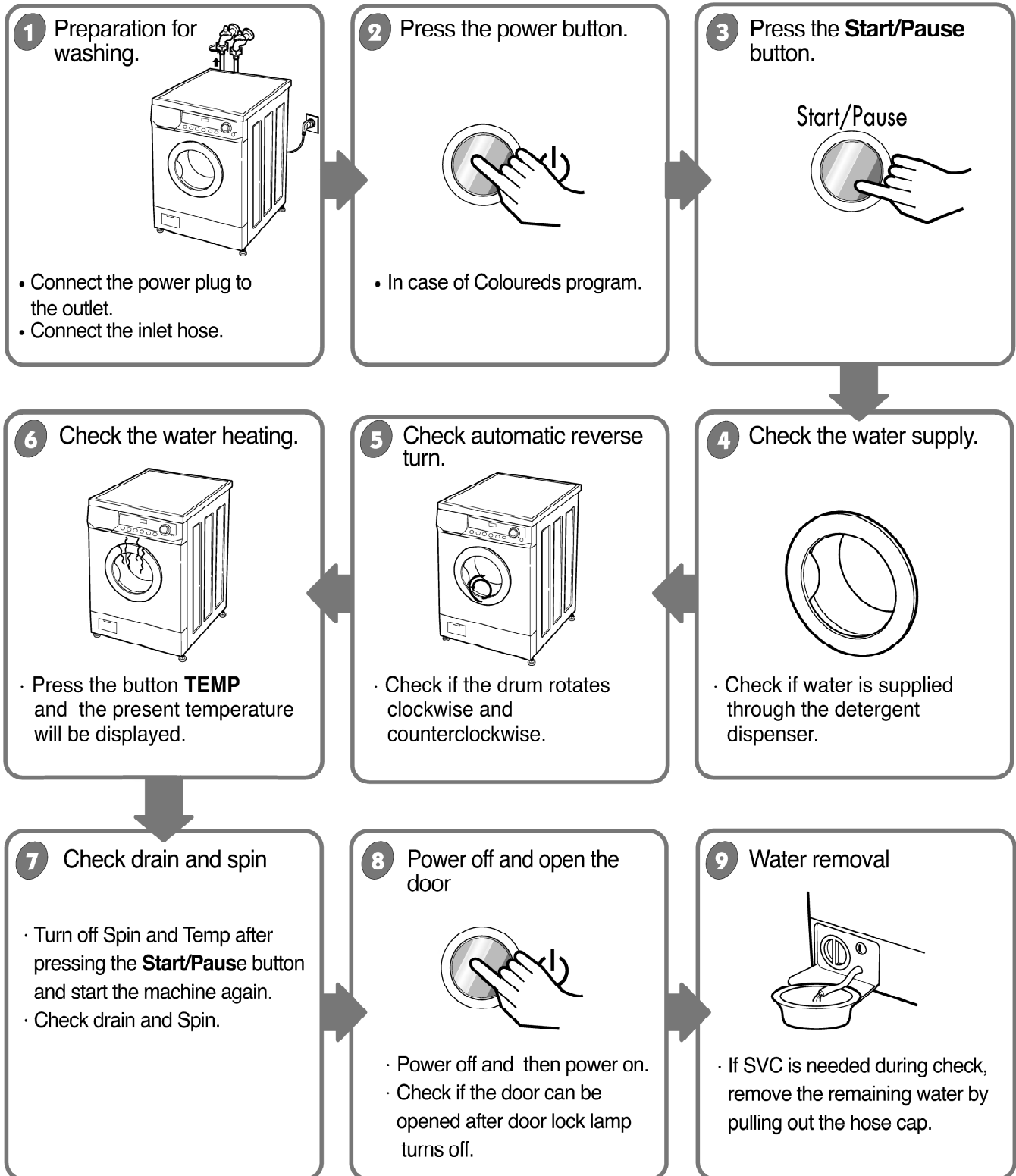


※ The drain hose should be placed under 100cm from the floor.

## ■ CONNECT POWER PLUG



## 7 TEST OPERATION



# 5. OPERATION

## Option

### Bio

- If you want to eliminate protein stains (milk, blood, chocolate...), you may select Bio by pressing the option button.
- [You can select Bio when temperature is higher than 60°C in Whites, Coloureds and Synthetic.]

### Rinse+

- If you wish to rinse more, the Rinse+ option will remove any trace of detergents.

### Eco

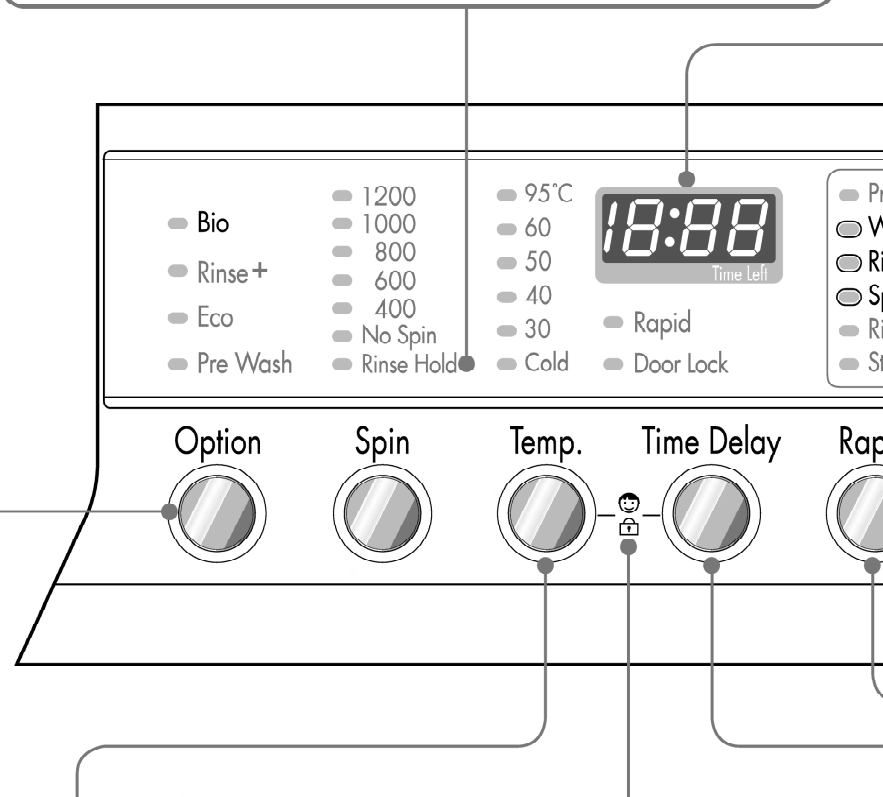
- By selecting Eco, the water temperature is reduced and washing time is lengthened. So you can economize in your consumption of energy.
- [You can select Eco when temperature is higher than 60°C in Whites, Coloureds and Synthetic.]

### Pre Wash

- If the laundry is heavily soiled, "Pre Wash" course is effective.
- Pre Wash is available in Coloureds, Whites and Synthetic Program.

## Rinse hold

- If you desire to leave fabrics in the machine without spinning after rinse to prevent them wrinkling, you may select rinse hold by pressing the spin button.
- If you want to drain and spin, when Rinse Hold function is proceed, Press the Start/Pause button to cancel the Rinse Hold function and select spin speed or program. Press the Start/Pause button again to start program.
- If you want to drain only, select the no spin or pump program.
- If lamp turns on, that function has been selected.



## Water temperature selector

- Press the button to select water temperature.
- The water temperature [40°C → 50°C → 60°C → Cold → 30°C] can be selected in Coloreds, or Synthetic.
- 95°C is selected for Whites only.
- By pressing the button while operating the washer, the present temperature is displayed.

## Child - lock

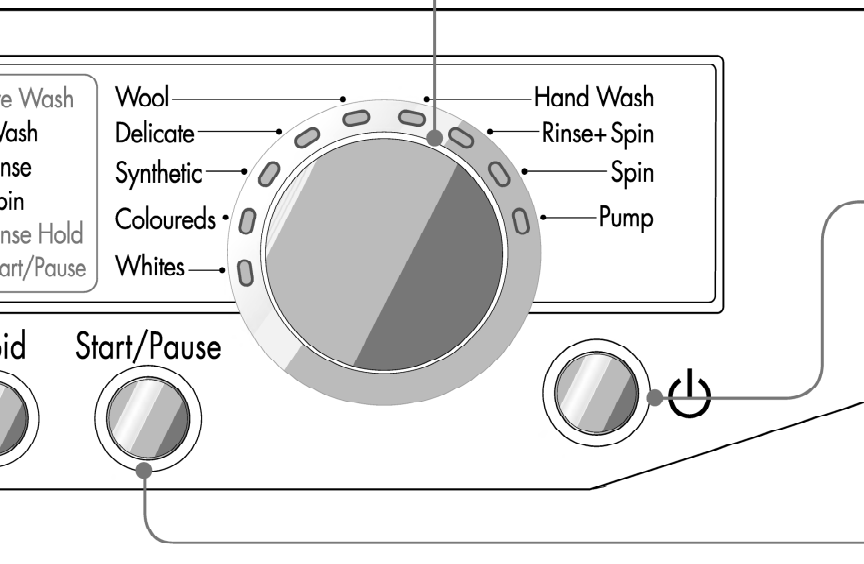
- Child Lock system can be set and canceled by pressing both [Temp.] and [Time Delay] button simultaneously.
- Once Child Lock is set, all buttons are inoperable.
- Child Lock system can be set anytime even during Power-off and operation.
- It is automatically cancelled when an operational error occurs.

## LED display

- It displays the remaining time (Hour : Minute ) to finish.
- In case of abnormal operation, error indications are displayed.  
(*IE, OE, UE, dE, tE, FE, PE, LE, SE, CE*)
- See troubleshooting guide.

## Wash program selector

- 9 programs can be set depending on the type of the laundry.
- By rotating the dial, [ Coloureds → Synthetic → Delicate → Wool → Hand Wash → Rinse + Spin → Spin → Pump → Whites ] can be selected.  
(The opposite order is possible)



## Power button

- Press the button to turn power on and off.
- Press the button to cancel the delay finish.

## Start/Pause button

- Use the button to start or pause wash cycle.
- The power turns off automatically 4 minutes after the pause button is pressed.

## Time Delay

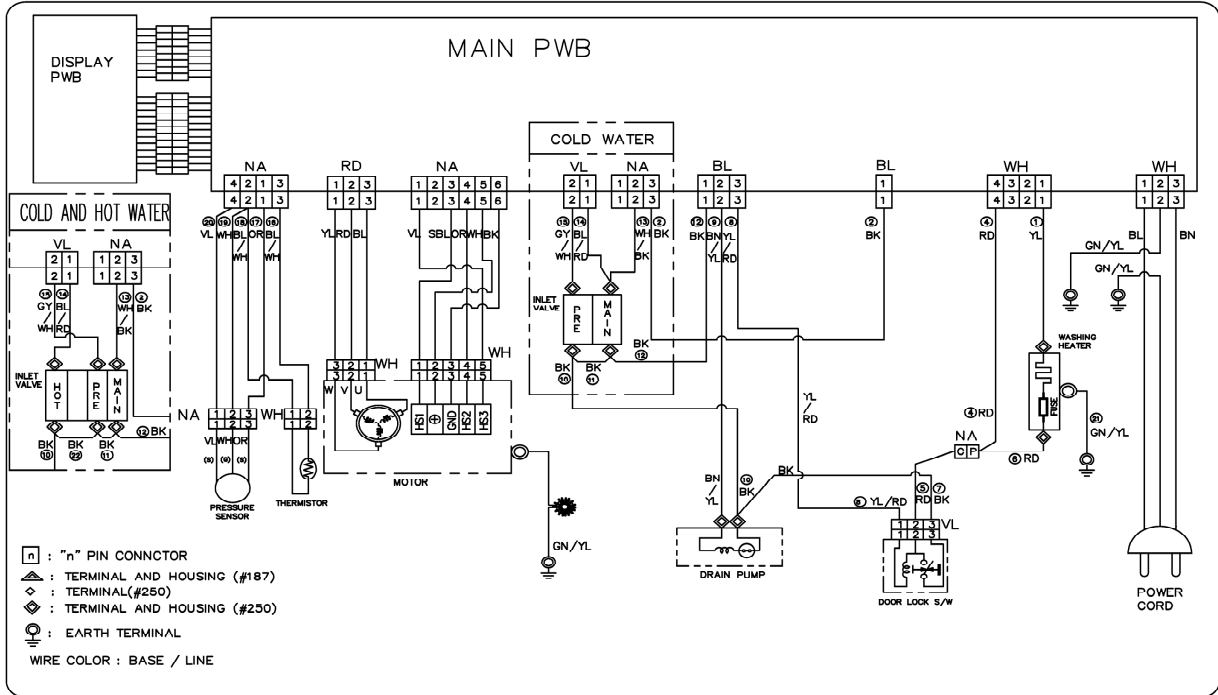
- Press the button when delayed washing is needed.
- When the button is pressed, [ 3:00 ] is displayed, maximum delay of [ 19:00 ] hours can be set.
- Each press advances time delay by the hour.
- Use [Power]button to cancel [Time Delay].
- [Time Delay] means the time required from the present to the completion of washing.

## Rapid

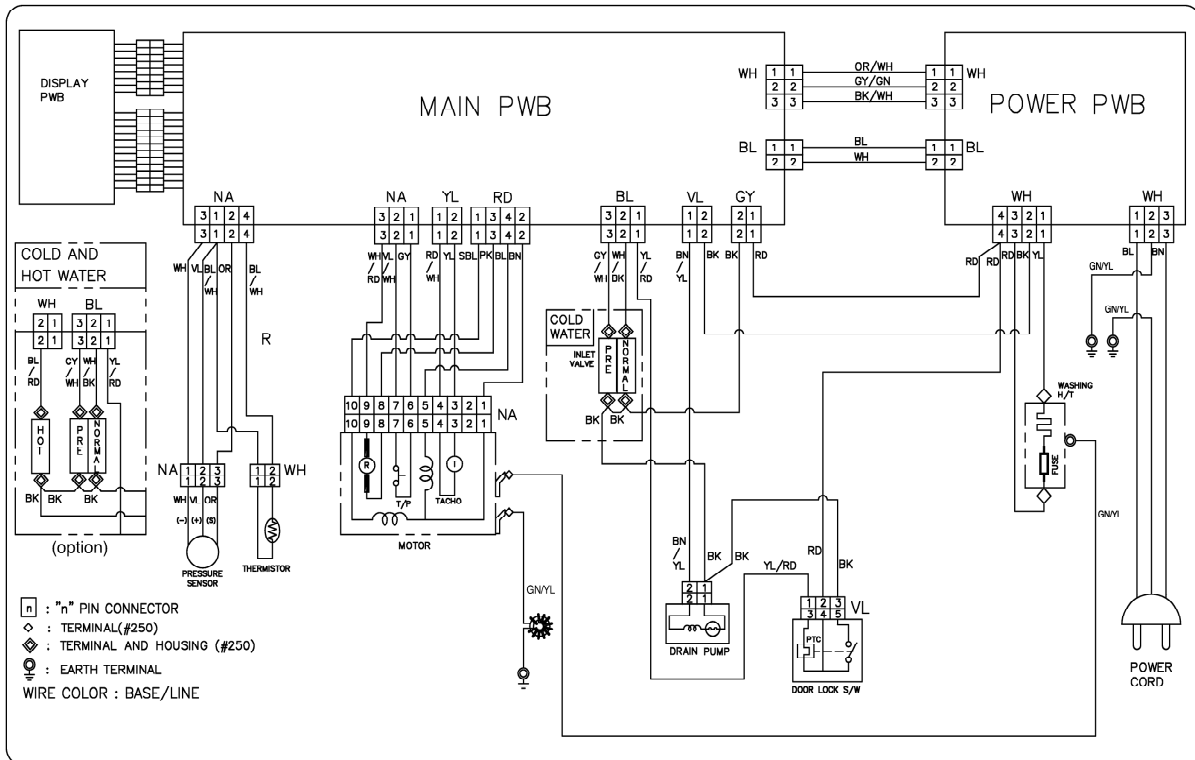
- If you press the Rapid button in Whites or Coloureds program, Rapid function is selected. Rapid function reduces the whole time including the Washing and Rinsing time.

# 6. WIRING DIAGRAM

- WD(M)-8070F(H)B, WD(M)-1070(5)F(H)B, WD(M)-1170(5)F(H)B, WD(M)-1270(5)F(H)B, WD(M)-1370(5)F(H)B
- WD(M)-8074F(H)B, WD(M)-1074(6)F(H)B, WD(M)-1174(6)F(H)B, WD(M)-1274(6)F(H)B, WD(M)-1374(6)F(H)B
- WD-8078FHB, WD-1078FHB, WM-1171(6)FHB, WM-1371(6)FHB, WD-1271FB(B), WD-1071FB(B)



- WD-8070F(H), WD-1070(5)F(H)



# 7. PROGRAM CHART

**PROGRAM CHART**      \* Water Supply : W-S      \* Intermittent Spin : I-S      \* Disentangle : D-T

CYCLE STEP COLOURS	Washing										Rinse												Spin			AUTO OFF END	Normal Working Time (Hour:Minute)						
	Pre				Main						Normal				Rinse +				Drain	Spin	D-T												
	W-S	Washing	Drain	I-S	Washing		Stavecooling				Drain	I-S	W-S	Rinsing	Drain	I-S	W-S	Rinsing				Drain	I-S	W-S	Rinsing								
					Heating	Washing	W-S	Rinsing	Drain	1									2	3	4												
Time (SEC)	1	2	3	4	5	6	7	8	9	10	11	12	13	14	15	16	17	18	19	20	21	22	23	24	25	26	27	28	29	30	31		
Whites																																	About 2:38
Coloureds																																	About 1:55
Synthetic																																	About 1:28
Delicate																																	About 58
Wool																																	About 58
Handwash																																	About 57
Rinse + Spin																																	About 19
Spin																																	About 11
Pump																																	About 1

- \* Pre Wash : If the laundry is heavily soiled, "Pre Wash" course is effective. Pre Wash is available in Coloureds, Whites and Synthetic Program.
- \* Eco : By selecting Eco function, the water temperature is reduced and washing time is lengthened. So you can economize in your consumption of energy.
- \* Rinse+ : If you wish to rinse more, the Rinse+ function will remove any trace of detergents.
- \* Bio : If you want to eliminate protein stains (milk, blood, chocolate...), you may select Bio function by pressing the option button.
- \* You can select Bio function and Eco function when temperature is higher than 60°C in Whites, Coloureds and Synthetic.

# 8. TROUBLESHOOTING

## 8-1. BEFORE PERFORMING SERVICE

- Be careful of electric shock or disconnecting the parts while troubleshooting.
- Voltage of each terminal in 220-240V~ and DC while applying an electric current.

## 8-2. QC TEST MODE.

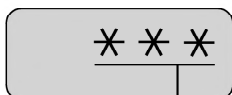
- ① Pressing Spin, and Temp button simultaneously.
- ② Power supply ON with pressing upper two button. then buzzer sound twice.
- ③ Press the START/PAUSE button as follows.

[Press the START/PAUSE button more 4 times until stop spinning]

Pressing number of [START/PAUSE] button	Checking Point	Display Status
None	All lamps turn on	
1 time	Clockwise spin (right)	Motor rpm (About 45)
2 times	Low speed spin	Motor rpm (About 63~67)
3 times	High speed spin	Motor rpm (About 79~85) : WD(M)-8070(4)F(H)(B) Motor rpm (About 100~106) : WD(M)-1070(5)F(H)(B)/WD(M)-1074(6)F(H)(B) Motor rpm (About 107~103) : WD(M)-1170(5)F(H)(B)/WD(M)-1174(6)F(H)(B)/WMM-1171(6)FHB Motor rpm (About 114~120) : WD(M)-1270(5)F(H)(B)/WD(M)-1274(6)F(H)(B) Motor rpm (About 122~127) : WD(M)-1370(5)F(H)(B)/WD(M)-1374(6)F(H)(B)/WMM-1371(6) FHB
4 times	Inlet valve for pre-wash operation	Water level frequency (25~65)
5 times	Inlet valve for main-wash operation	Water level frequency (25~65)
	Hot inlet valve in case of hot water fill	
6 times	Inlet valve for main-wash operation	Water level frequency (25~65)
7 times	Counterclockwise spin (left)	Motor rpm (About 45)
8 times	A heater is in operation for 3 sec.	Water temperature
9 times	Draining pump operation	Water level frequency
10 times	Auto off operation	

## 8-3. HOW TO KNOW THE WATER LEVEL FREQUENCY

- \* Press the Option and Spin button simultaneously.




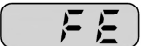







● The digits means water level frequency ( $10^{-1}$  kHz)



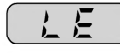
ex) 241 : Water level frequency =  $241 \times 10^{-1}$  kHz  
=24.1 kHz

## 8-4. ERROR DISPLAY.

- If you press the [Start/Pause] button when an error is displayed, any error except *FE* will disappear and the machine will change into pause status.
- In case of 『*PE*』, 『*LE*』, 『*DE*』, if the error is not resolved within 20 sec. In the case of other errors, if the error is not resolved within 4 min. power will be turned off automatically and the error code will blink. But in case of 『*FE*』, power will not be turned off.

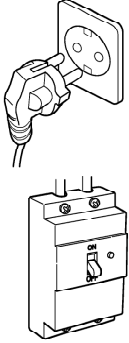



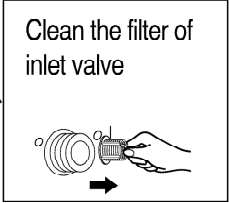
	ERROR	SYMPTOM	CAUSE
1	WATER INLET ERROR		<ul style="list-style-type: none"> <li>○ Water has not reached to the pre-set level within 4 min. since inlet valve operated, or water has not reached to the normal level within 25 min.</li> </ul>
2	IMBALANCE ERROR		<ul style="list-style-type: none"> <li>○ The appliance is tilted.</li> <li>○ Laundry is gathered to one side.</li> <li>○ Non distributable things are put into the drum.</li> </ul>
3	DRAIN ERROR		<ul style="list-style-type: none"> <li>○ Water has not drained enough within 5 min.</li> </ul>
4	OVERFLOW ERROR		<ul style="list-style-type: none"> <li>○ Water is automatically being pumped out because too much water is in the tub.</li> </ul>
5	SENSOR PRESSURE S/W ERROR		<ul style="list-style-type: none"> <li>○ The sensor pressure switch is out of order.</li> </ul>
6	DOOR OPEN ERROR		<ul style="list-style-type: none"> <li>○ The [Start/Pause] button is pressed with the door open.</li> <li>○ The door switch is out of order.</li> </ul>
7	HEATING ERROR		<ul style="list-style-type: none"> <li>○ The thermistor is out of order.</li> </ul>
8	SENSOR ERROR		<ul style="list-style-type: none"> <li>○ The connector (5-pin, male, white) in the wire harness is not connected to the connector (5-pin, female) of hall sensor in the MOTOR.</li> </ul> <p> Reconnect or repair the contact in the connector.</p>

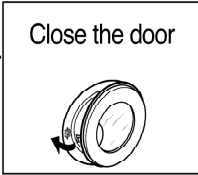


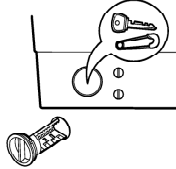
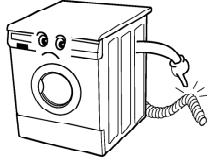


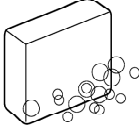
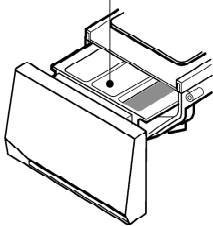
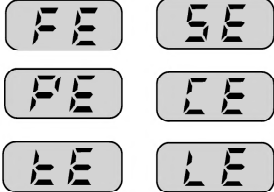
	<b>ERROR</b>	<b>SYMPTOM</b>	<b>CAUSE</b>
<b>8</b>	SENSOR ERROR		<ul style="list-style-type: none"> <li>• The electric contact between the connectors (5-pin, male in the wire harness and 5-pin female in the hall sensor) is bad or unstable. <ul style="list-style-type: none"> <li>☞ Reconnect or repair the contact in the connector.</li> </ul> </li> <li>• The connector (6-pin, male, natural) in the wire harness is not connected to the connector (6-pin, female, natural) of PWB assembly (Main) or the electric contact of connectors is bad/unstable. <ul style="list-style-type: none"> <li>☞ Reconnect or repair the contact in the connector.</li> </ul> </li> <li>• The electric contact between the connectors [6-pin, male in the wire harness and 6-pin female in the controller (Main)] is bad or unstable. <ul style="list-style-type: none"> <li>☞ Reconnect or repair the contact in the connector.</li> </ul> </li> <li>• The wire harness between hall sensor in the MOTOR and PWB assembly (Main) is cut (open circuited). <ul style="list-style-type: none"> <li>☞ Repair/replace the damaged WIRE HARNESS.</li> </ul> </li> <li>• The hall sensor is out of order/defective. <ul style="list-style-type: none"> <li>☞ Replace the motor.</li> </ul> </li> <li>• The controller (Main) is out of order/defective. <ul style="list-style-type: none"> <li>☞ Replace the PWB assembly (Main).</li> </ul> </li> </ul>
<b>9</b>	CURRENT ERROR		<ul style="list-style-type: none"> <li>• PWB assembly (Main) is out of order. <ul style="list-style-type: none"> <li>☞ Replace the PWB assembly (Main).</li> </ul> </li> <li>• Winding in the MOTOR is short-circuited. <ul style="list-style-type: none"> <li>☞ Replace the MOTOR.</li> </ul> </li> </ul>
<b>10</b>	LOCK ERROR		<ul style="list-style-type: none"> <li>• The connector (3-pin, male, white) in the wire harness is not connected to the connector (3-pin, female, white) of MOTOR. <ul style="list-style-type: none"> <li>☞ Reconnect or repair the connector.</li> </ul> </li> <li>• The electric contact between the connectors [3-pin, male, white in the wire harness and 6-pin, female, white in the PWB assembly (Main)] is bad or unstable. <ul style="list-style-type: none"> <li>☞ Reconnect or repair the contact in the connector.</li> </ul> </li> <li>• The wire harness between the MOTOR and PWB assembly (Main) is cut (open circuited). <ul style="list-style-type: none"> <li>☞ Repair the damaged (open-circuited) WIRE HARNESS.</li> </ul> </li> <li>• The hall sensor is out of order/defective. <ul style="list-style-type: none"> <li>☞ Replace the PWB assembly (Main).</li> </ul> </li> </ul>

# 9. ERROR DIAGNOSIS AND CHECK LIST

## 9-1. DIAGNOSIS AND ANSWER FOR ABNORMAL OPERATION

SYMPTOM	GUIDE FOR SERVICE CALL	
<p>NO POWER</p>	<p>Is the power plug connected firmly to 220-240V~ outlet?</p> <p style="text-align: center;"><b>YES</b></p> <p>Power failure? or Breaker opened? is the outlet controlled by a switch</p> <p style="text-align: center;"><b>NO</b></p> <p style="text-align: center;">Visit to check.</p>	
<p>Water inlet trouble</p> 	<p>Is I E displayed?</p> <p style="text-align: center;"><b>YES</b></p> <p>Is the tap opened?</p> <p style="text-align: center;"><b>YES</b></p> <p>Is the tap frozen?</p> <p style="text-align: center;"><b>NO</b></p> <p>Is the water supply shut-off?</p> <p style="text-align: center;"><b>NO</b></p> <p>Is filter in the inlet valve clogged with foreign material?</p> <p style="text-align: center;"><b>NO</b></p> <p style="text-align: center;">Visit to check.</p>	  <p style="text-align: center;"><b>YES</b></p> <p>Clean the filter of inlet valve</p> 

SYMPTOM	GUIDE FOR SERVICE CALL
<p>◦ DOOR OPEN ERROR</p> <p>Refer to 7-4 ERROR DISPLAY</p>	<div style="text-align: center;"> <p>Did you press the <b>Start/Pause</b> button when the door is open?</p> <p><b>YES</b> → <span style="border: 1px solid black; padding: 5px;">Close the door</span></p>  </div> <div style="text-align: center; margin-top: 20px;"> <p><b>NO</b></p> <p>↓</p> <p style="border: 1px solid black; border-radius: 15px; padding: 10px; display: inline-block;">Visit to check.</p> <p><b>Check if the door switch is O.K</b></p> </div>
<p>◦ Drain trouble</p> 	<div style="text-align: center;"> <p>Is <b>O E</b> displayed?</p>  <p><b>YES</b> ↓</p> <p>Is the debris filter clogged with foreign material such as pins, coins, and etc.?</p> <p><b>YES</b> → <span style="border: 1px solid black; padding: 5px;">Clean up the filter.</span></p>  <p><b>NO</b> ↓</p> <p>Is the drain hose frozen with water, kinked, or crushed?</p> <p><b>NO</b> ↓</p> <p style="border: 1px solid black; border-radius: 15px; padding: 10px; display: inline-block;">Visit to check.</p>  </div>

SYMPTOM	GUIDE FOR SERVICE CALL
<p>◦ Suds overflow from the appliance. (In this condition, wash and spin do not operate normally)</p>	<div style="display: flex; justify-content: space-between;"> <div style="width: 65%;"> <p>Is low-sudsing detergent for the drum washing machine used?</p> <p style="text-align: center;"><b>YES</b></p> <p>Is the proper amount of detergent used as recommended?</p> <p style="text-align: center;"><b>YES</b></p> <p>Recommend to reduce the amount of detergent.</p> <ul style="list-style-type: none"> <li>* This appliance has the automatic suds sensing function which operates under much suds condition for good rinse and preventing overflow.</li> <li>* When much suds are sensed, the suds removing function such as drain, water input, and pause will operate without rotating the drum.</li> </ul> </div> <div style="width: 30%; text-align: center;">  <p><b>LOW SUDSING DETERGENT</b></p> </div> </div>
<p>◦ No effect of softener</p>	<div style="display: flex; justify-content: space-between;"> <div style="width: 65%;"> <p>Is softener put in the correct compartment of drawer?</p> <p style="text-align: center;"><b>YES</b></p> <p>Is the drawer closed during wash?</p> <p style="text-align: center;"><b>YES</b></p> <p>Is the softener cap clogged?</p> <p style="text-align: center;"><b>YES</b></p> <p>Explain how to use softener. <b>Clean the compartment for softener.</b></p> </div> <div style="width: 30%; text-align: center;"> <p>Compartment for softener</p>  </div> </div>
	<p style="text-align: center;">Visit to check.</p>

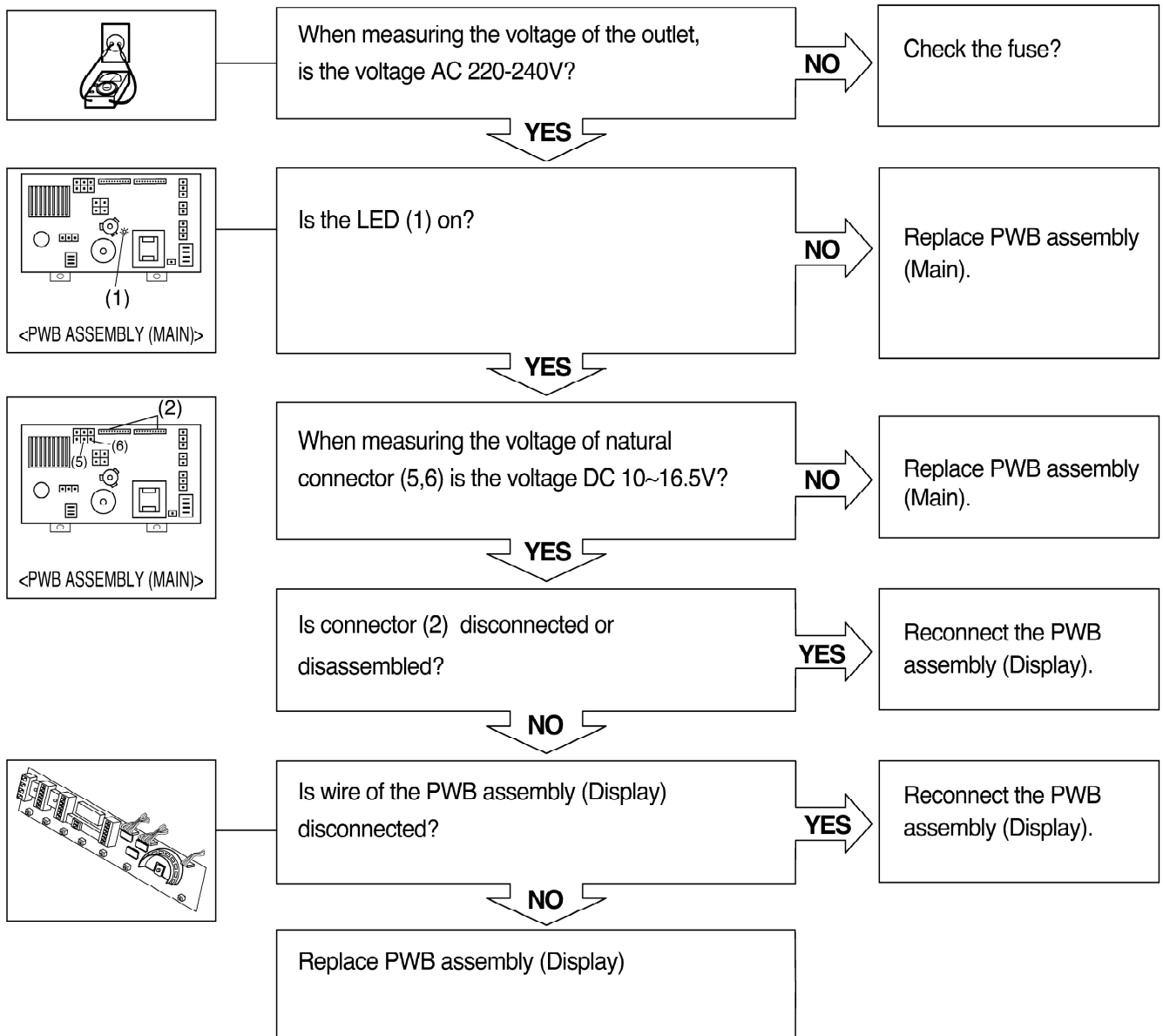
## 9-2. FAULT DIAGNOSIS AND TROUBLESHOOTING

- WD(M)-8070F(H)B, WD(M)-1070(5)F(H)B, WD(M)-1170(5)F(H)B, WD(M)-1270(5)F(H)B, WD(M)-1370(5)F(H)B  
WD(M)-8074F(H)B, WD(M)-1074(6)F(H)B, WD(M)-1174(6)F(H)B, WD(M)-1274(6)F(H)B, WD(M)-1374(6)F(H)B  
WD-8078FHB, WD-1078FHB, WM-1171(6)FHB, WM-1371(6)FHB, WD-1271FB(B), WD-1071FB(B)

### CAUTION

1. Be careful of electric shock or disconnecting the parts while troubleshooting.
2. First of all, check the connection of each part terminal with wiring diagram.
3. If you replace the PWB assembly (Main), put in the connectors correctly.

### NO POWER

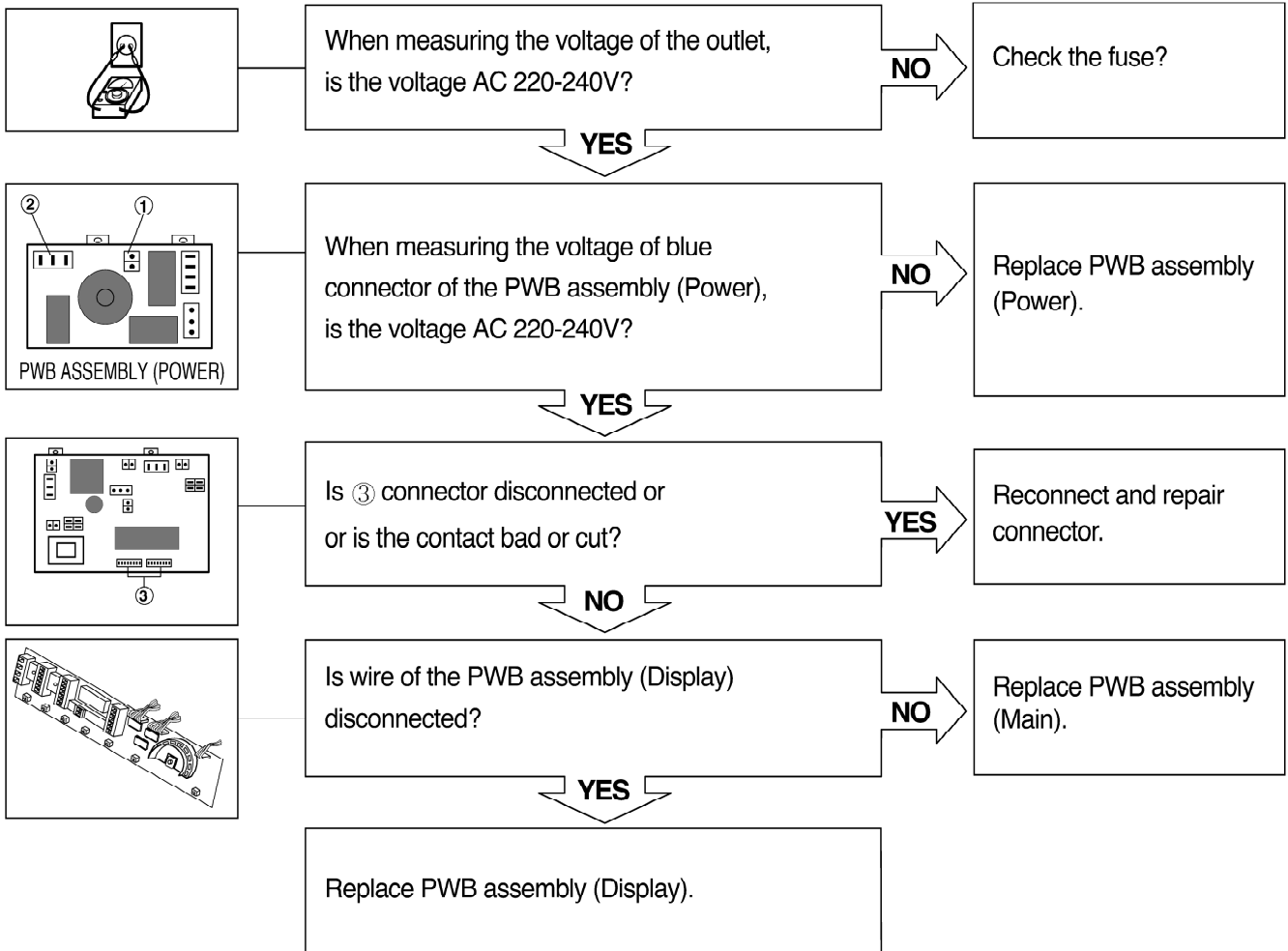


■ WD-8070F(H), WD-1070(5)F(H)

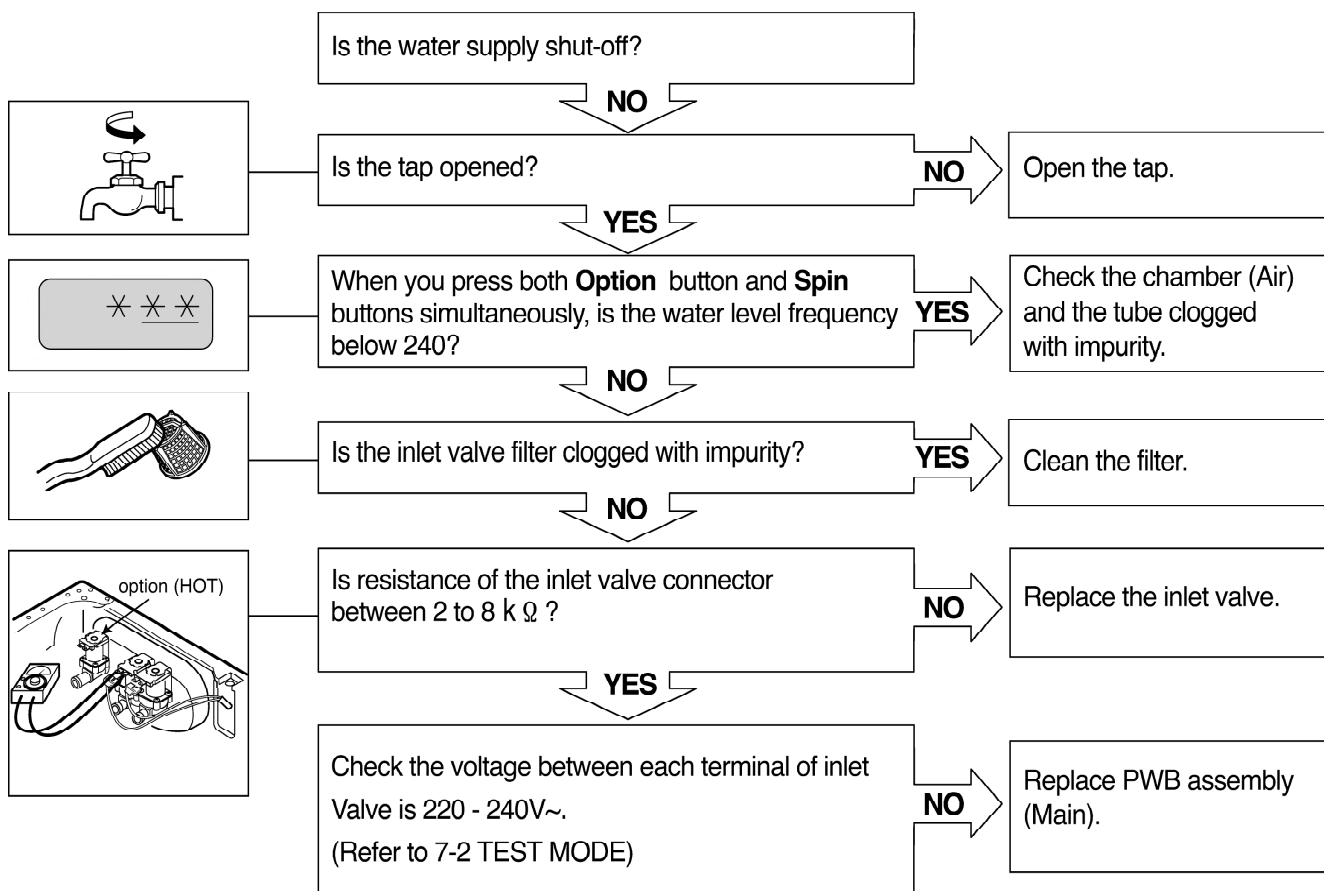
**CAUTION**

1. Be careful of electric shock or disconnecting the parts while troubleshooting.
2. First of all, check the connection of each part terminal with wiring diagram.
3. Voltage between each terminal is AC 220-240V while applying an electric current (except secondary part of the transformer and sensors).

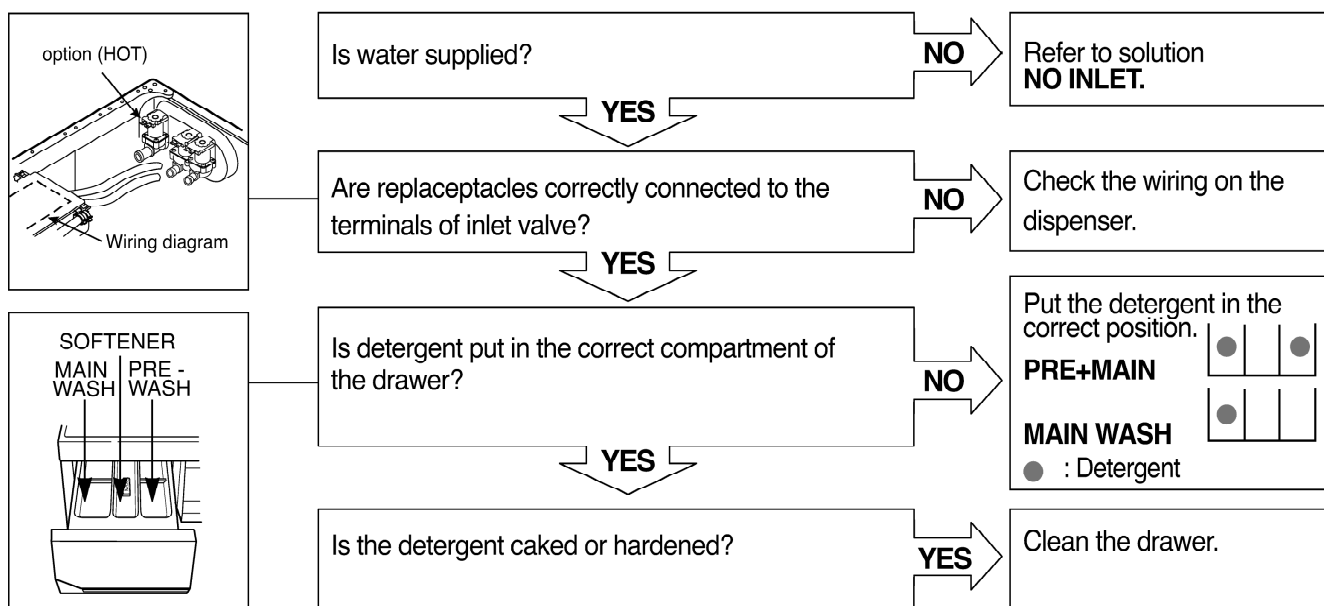
**NO POWER**



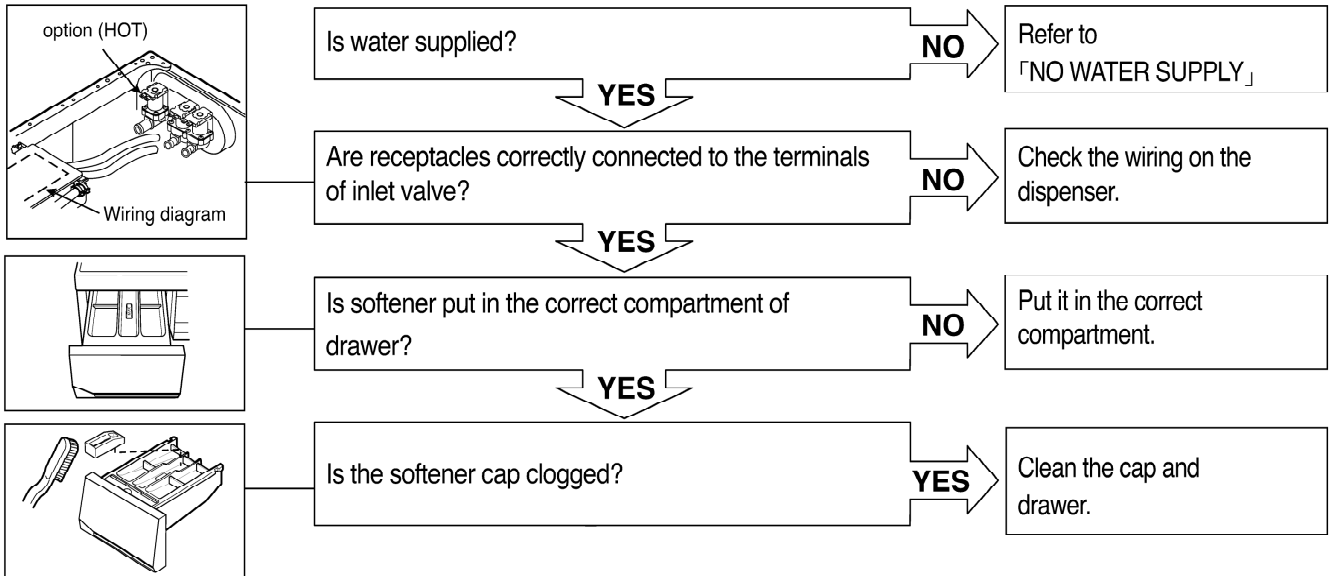
## NO WATER SUPPLY



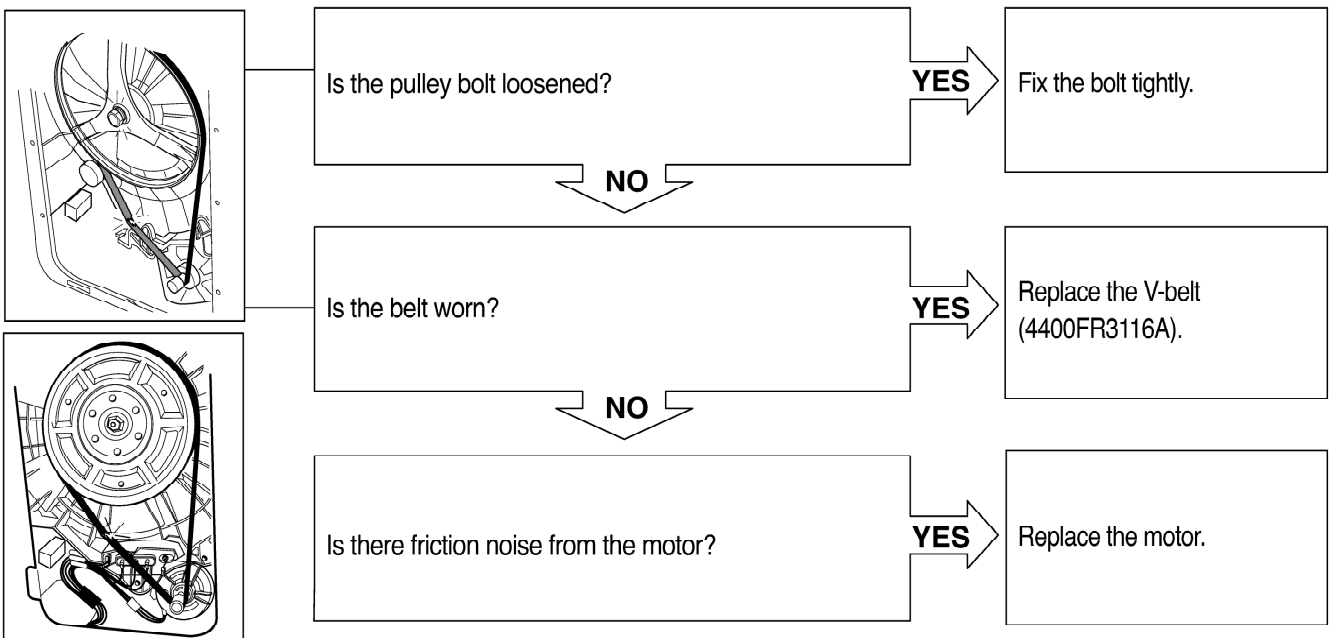
## DETERGENT DOES NOT FLOW IN



## SOFTENER DOES NOT FLOW IN



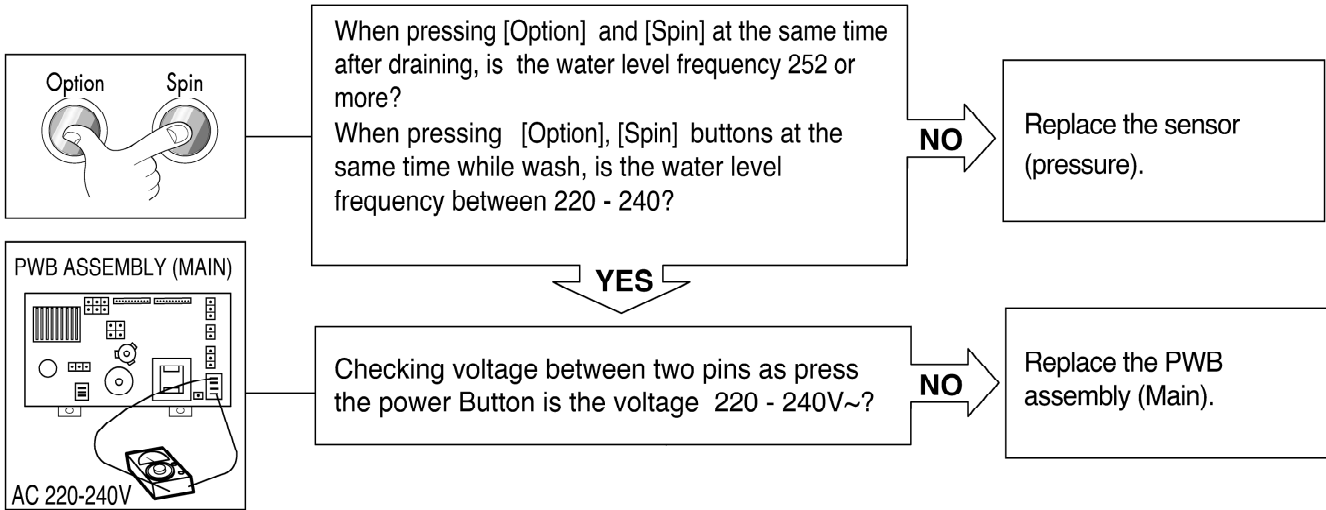
## ABNORMAL SOUND



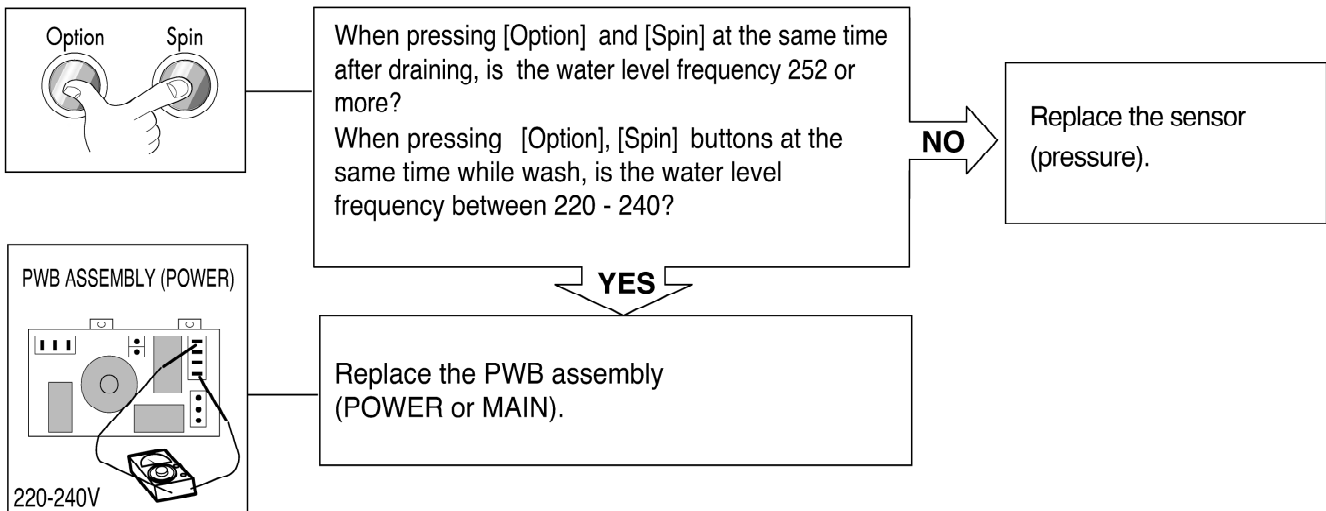


## HEATING WITHOUT WATER

- WD(M)-8070F(H)B, WD(M)-1070(5)F(H)B, WD(M)-1170(5)F(H)B, WD(M)-1270(5)F(H)B, WD(M)-1370(5)F(H)B  
 WD(M)-8074F(H)B, WD(M)-1074(6)F(H)B, WD(M)-1174(6)F(H)B, WD(M)-1274(6)F(H)B, WD(M)-1374(6)F(H)B  
 WD-8078FHB, WD-1078FHB, WM-1171(6)FHB, WM-1371(6)FHB, WD-1271FB(B), WD-1071FB(B)

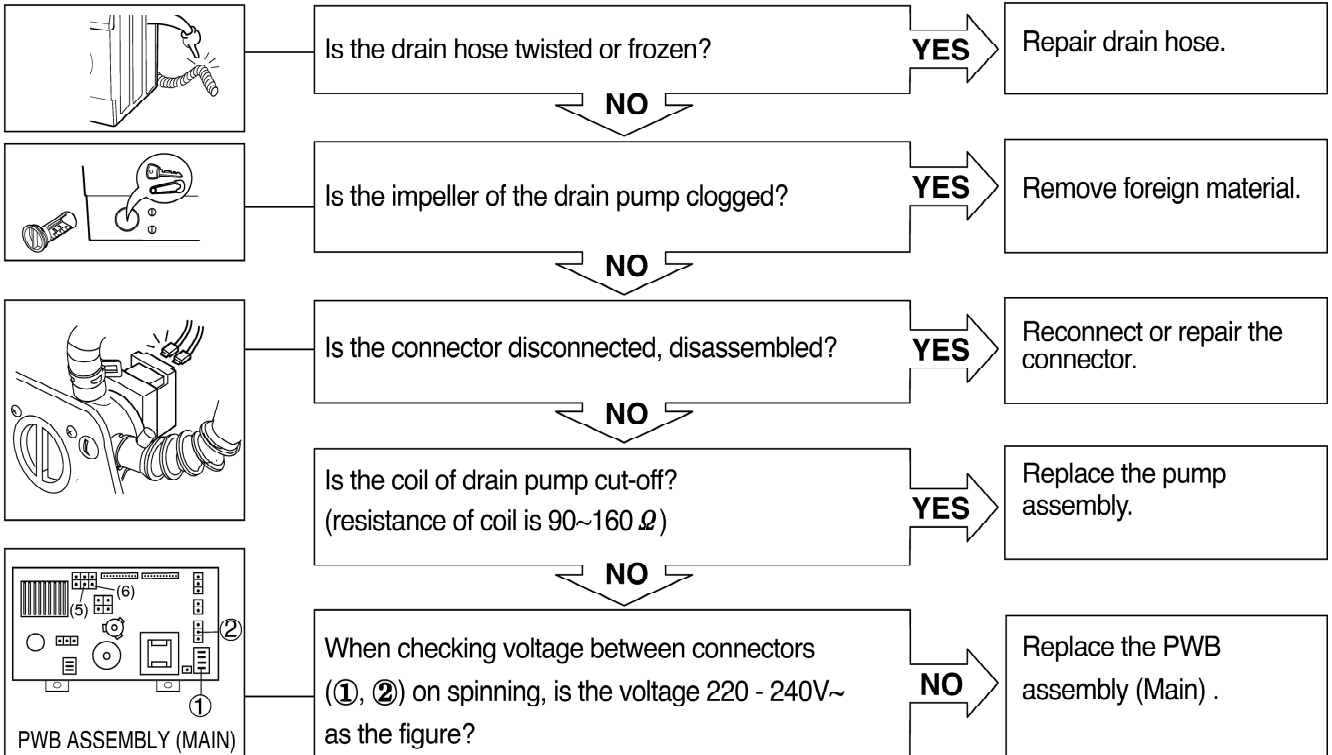


- WD-8070F(H), WD-1070(5)F(H)

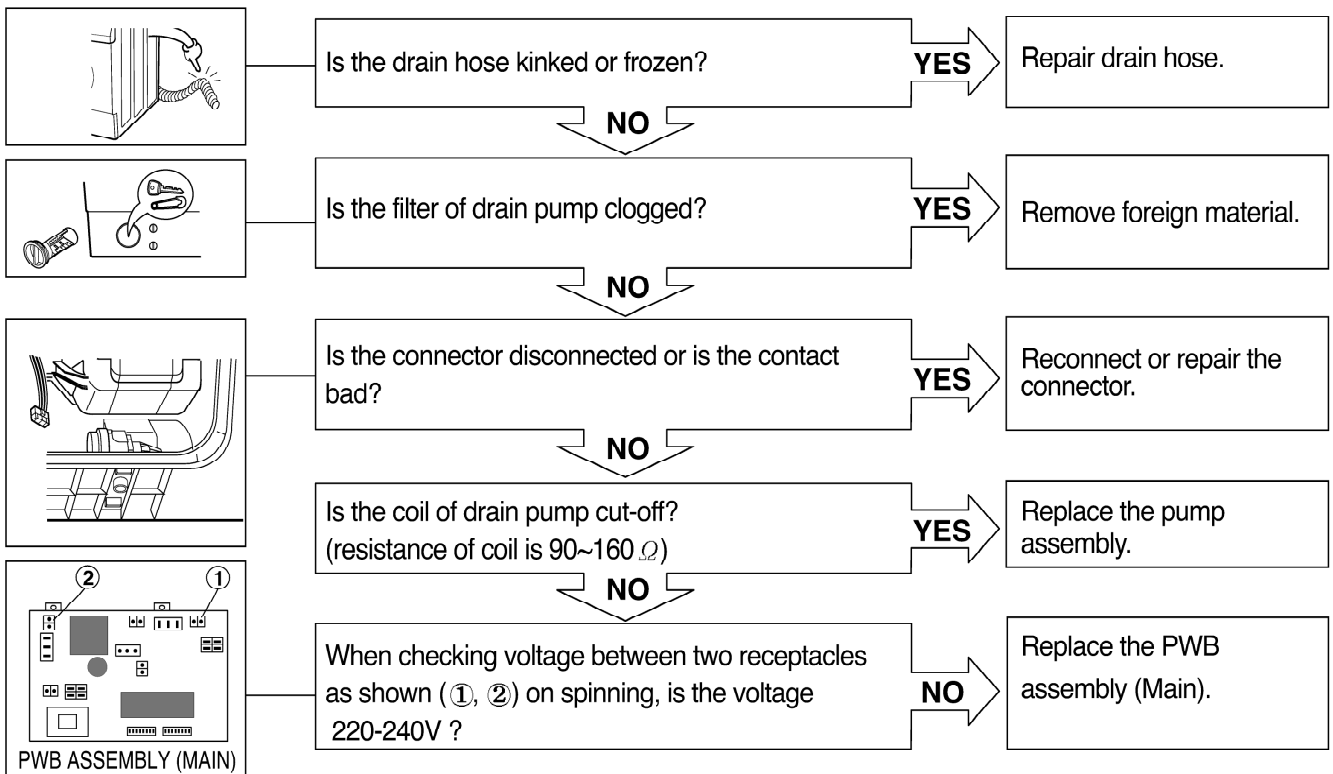


## DRAIN MALFUNCTIONING

- WD(M)-8070F(H)B, WD(M)-1070(5)F(H)B, WD(M)-1170(5)F(H)B, WD(M)-1270(5)F(H)B, WD(M)-1370(5)F(H)B  
 WD(M)-8074F(H)B, WD(M)-1074(6)F(H)B, WD(M)-1174(6)F(H)B, WD(M)-1274(6)F(H)B, WD(M)-1374(6)F(H)B  
 WD-8078FHB, WD-1078FHB, WM-1171(6)FHB, WM-1371(6)FHB, WD-1271FB(B), WD-1071FB(B)

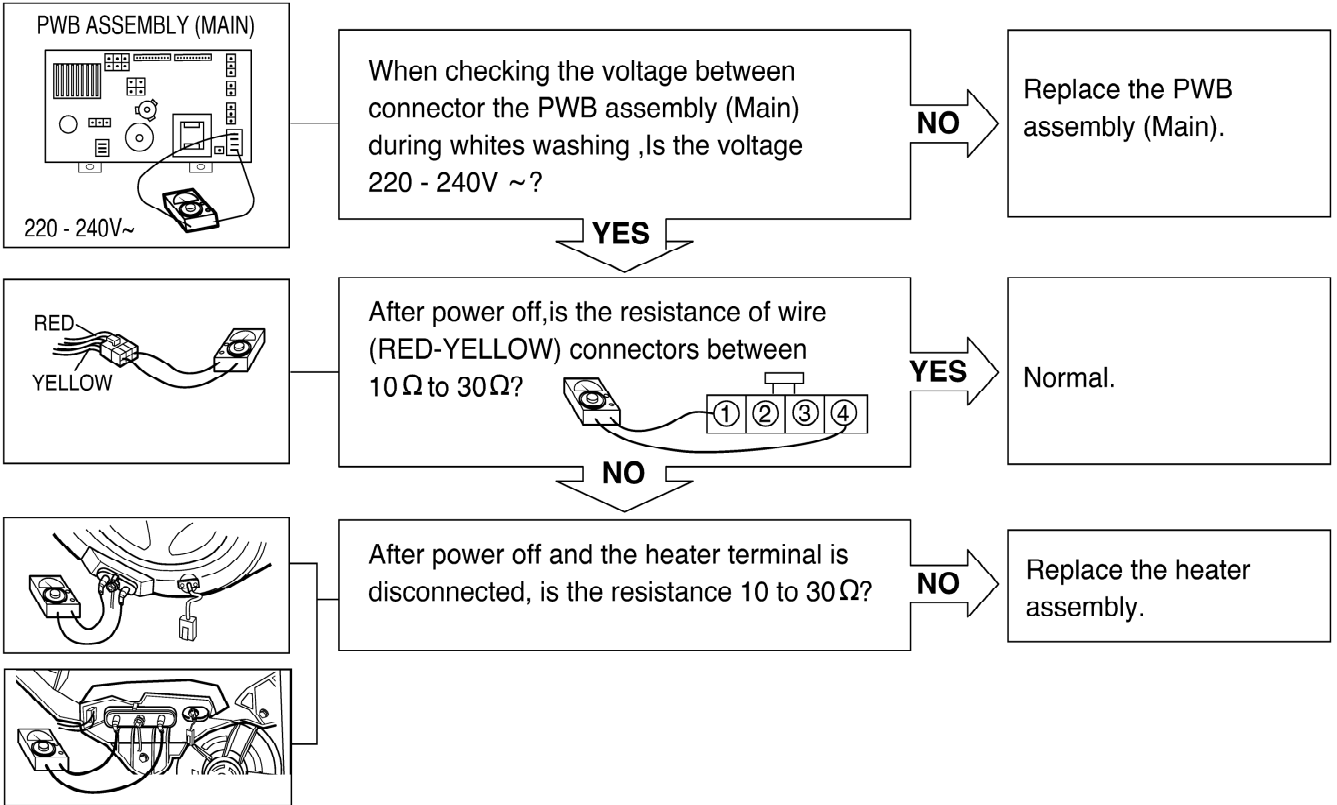


- WD-8070F(H), WD-1070(5)F(H)

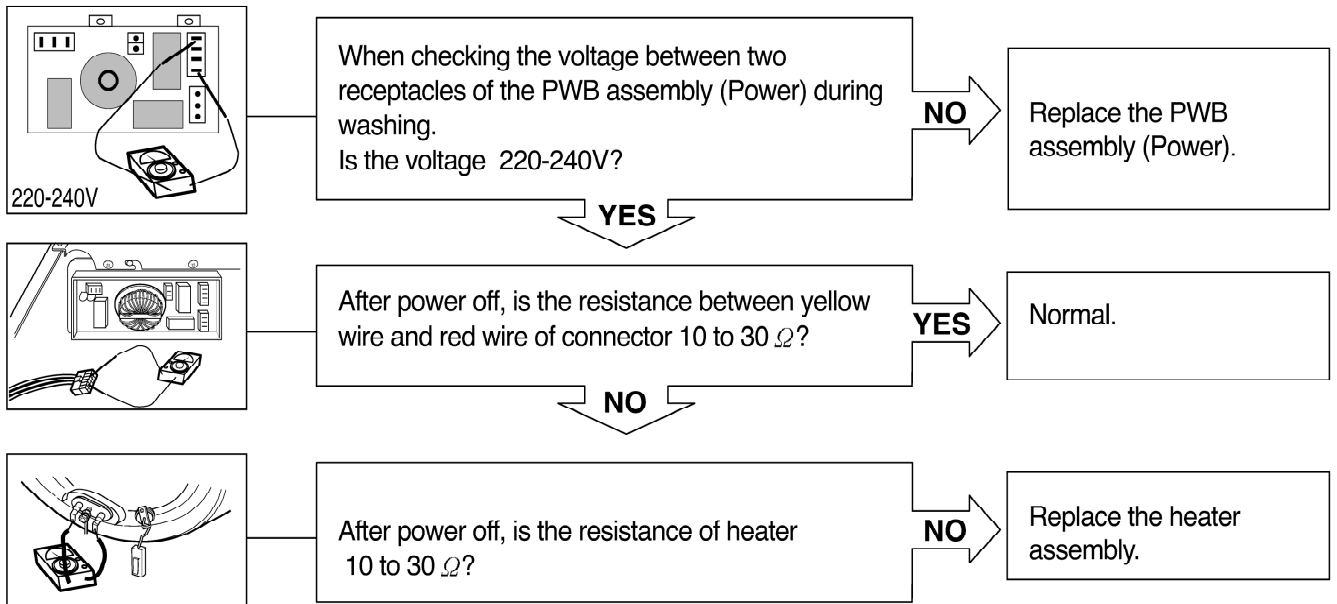


## WASH HEATER TROUBLE

- WD(M)-8070F(H)B, WD(M)-1070(5)F(H)B, WD(M)-1170(5)F(H)B, WD(M)-1270(5)F(H)B, WD(M)-1370(5)F(H)B  
 WD(M)-8074F(H)B, WD(M)-1074(6)F(H)B, WD(M)-1174(6)F(H)B, WD(M)-1274(6)F(H)B, WD(M)-1374(6)F(H)B  
 WD-8078FHB, WD-1078FHB, WM-1171(6)FHB, WM-1371(6)FHB, WD-1271FB(B), WD-1071FB(B)

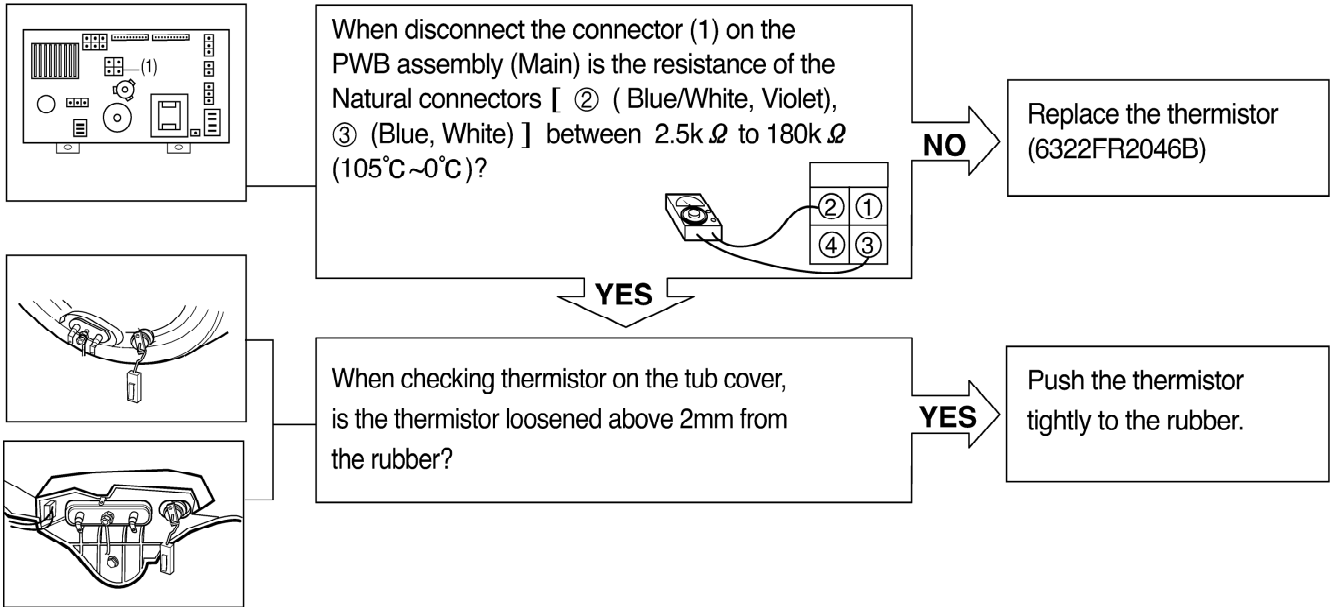


- WD-8070F(H), WD-1070(5)F(H)

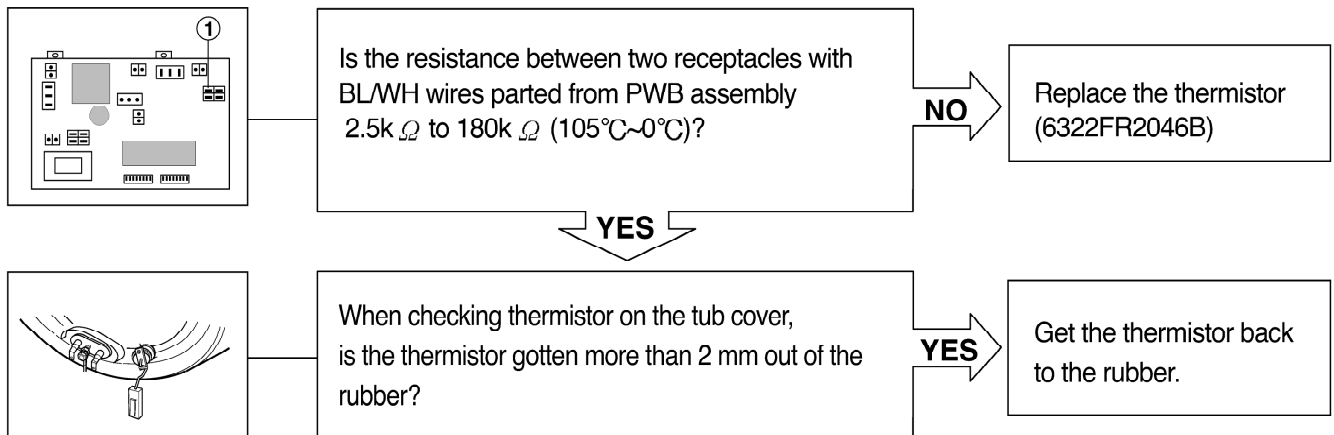


## HEATING CONTINUOUSLY ABOVE THE SETTING WATER TEMPERATURE

- WD(M)-8070F(H)B, WD(M)-1070(5)F(H)B, WD(M)-1170(5)F(H)B, WD(M)-1270(5)F(H)B, WD(M)-1370(5)F(H)B  
 WD(M)-8074F(H)B, WD(M)-1074(6)F(H)B, WD(M)-1174(6)F(H)B, WD(M)-1274(6)F(H)B, WD(M)-1374(6)F(H)B  
 WD-8078FHB, WD-1078FHB, WM-1171(6)FHB, WM-1371(6)FHB, WD-1271FB(B), WD-1071FB(B)

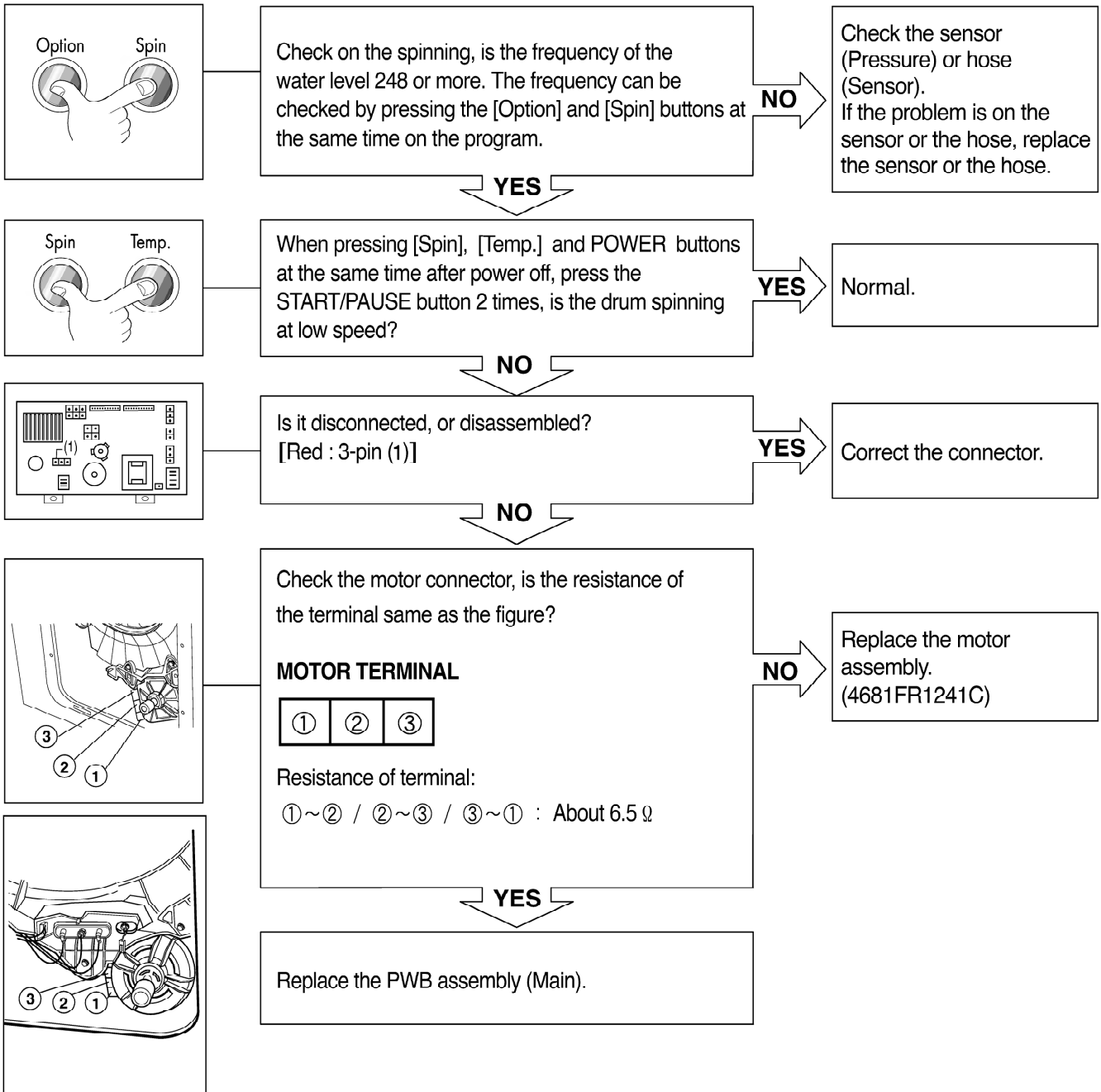


- WD-8070F(H), WD-1070(5)F(H)

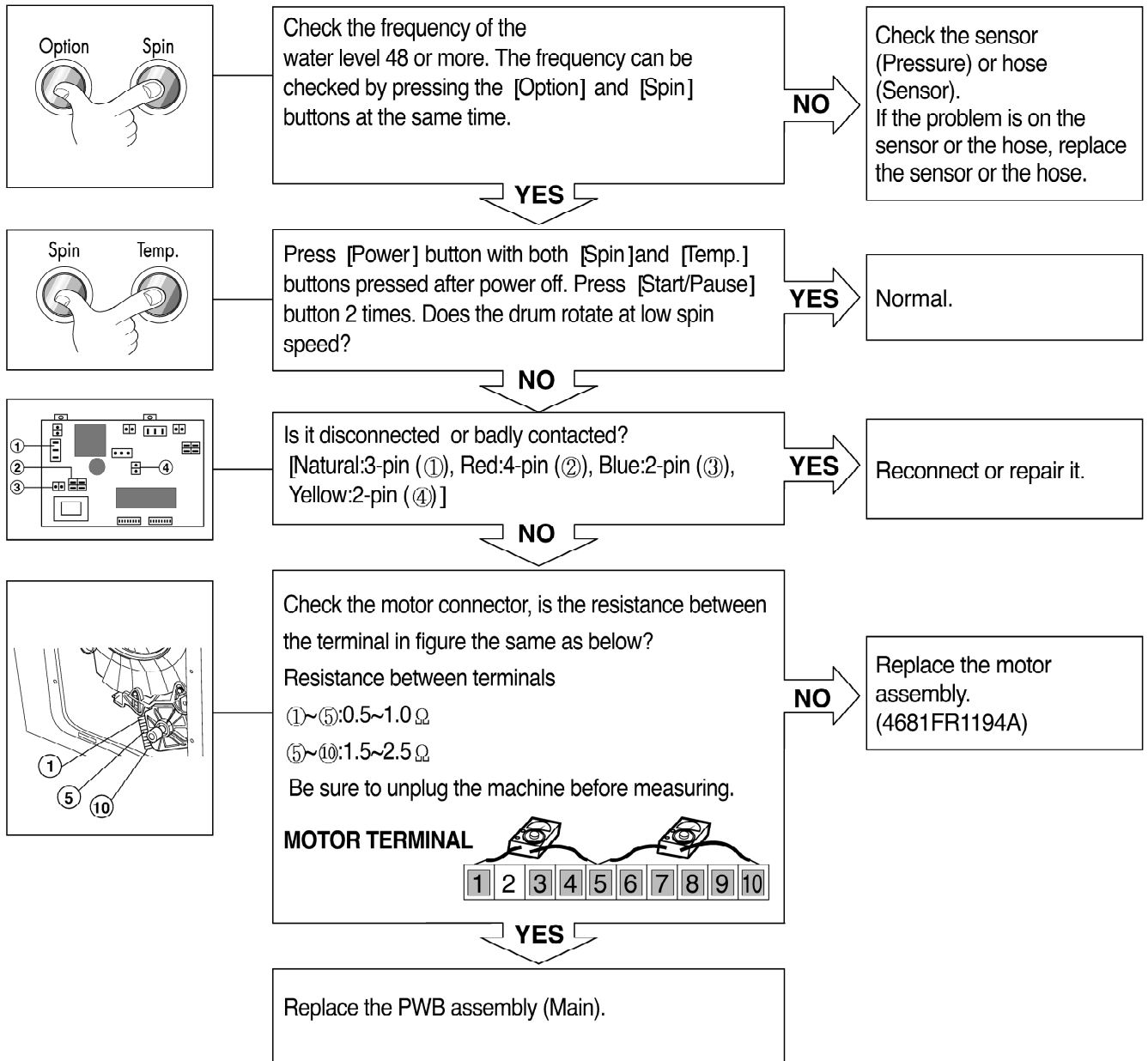


## SPIN TROUBLE

- WD(M)-8070F(H)B, WD(M)-1070(5)F(H)B, WD(M)-1170(5)F(H)B, WD(M)-1270(5)F(H)B, WD(M)-1370(5)F(H)B  
 WD(M)-8074F(H)B, WD(M)-1074(6)F(H)B, WD(M)-1174(6)F(H)B, WD(M)-1274(6)F(H)B, WD(M)-1374(6)F(H)B  
 WD-8078FHB, WD-1078FHB, WM-1171(6)FHB, WM-1371(6)FHB, WD-1271FB(B), WD-1071FB(B)



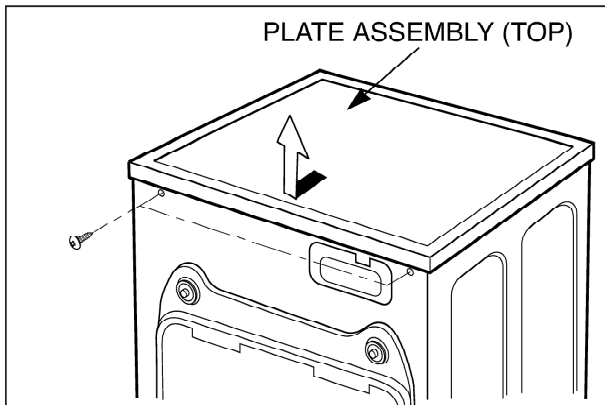
■ WD-8070F(H), WD-1070(5)F(H)



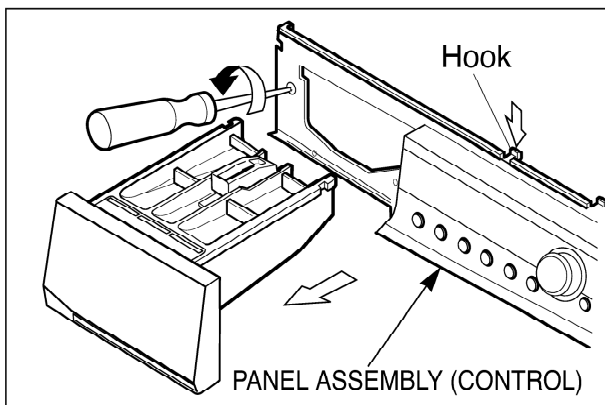
# 10. DISASSEMBLY INSTRUCTIONS

\* Be sure to unplug the machine out of the outlet before disassembling and repairing the parts.

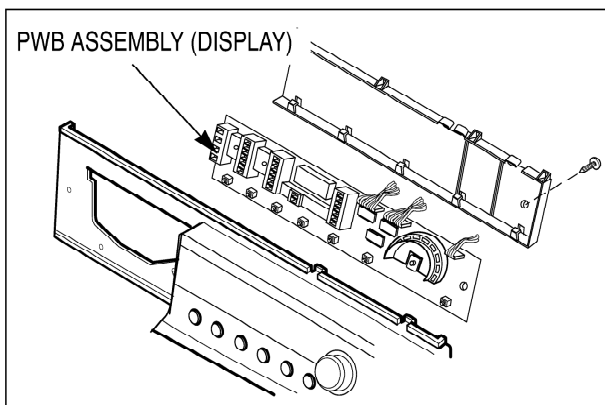
## CONTROL PANEL



- ① Unscrew 2 screws on the back of the top plate assembly.
- ② Pull the top plate backward and upward as shown.



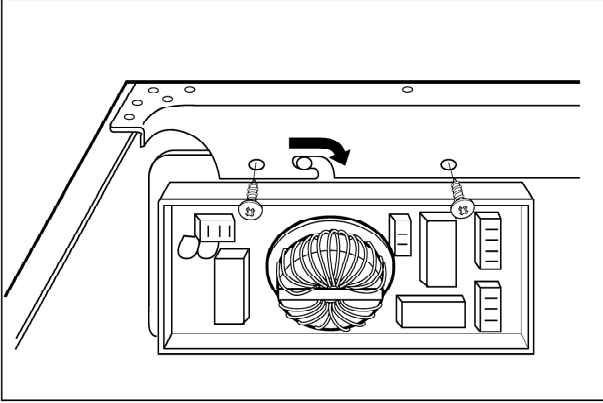
- ① Disconnect the PWB assembly (Display) connector.
- ② Pull out the drawer and unscrew 3 screws.
- ③ Push 2 upper hooks down and pull the control panel.



- ① Pull out the Rotary (Dial) knob.
- ② Disconnect the PWB assembly (Display) from the control panel by pushing 5 hooks down and unscrewing 1 screw.

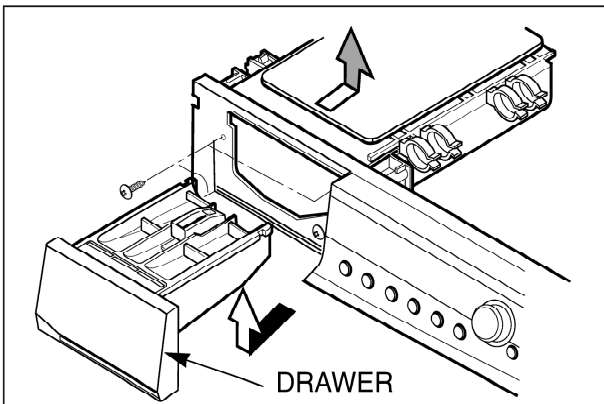
## PWB ASSEMBLY (POWER)

■ WD-8070F(H), WD-1070(5)F(H)

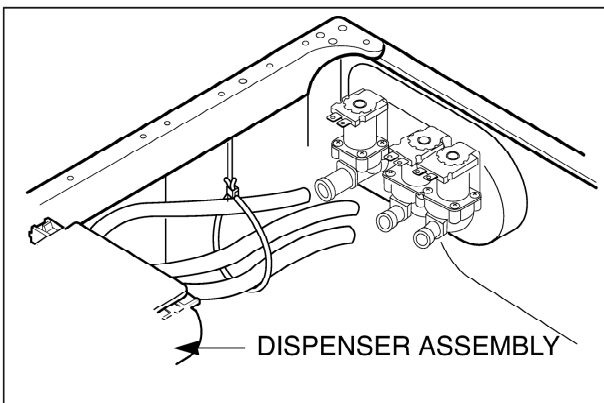


- ① Disassemble the top plate assembly.
- ② Unscrew 2 screws.
- ③ Disconnect connector from the wiring.

## DISPENSER ASSEMBLY



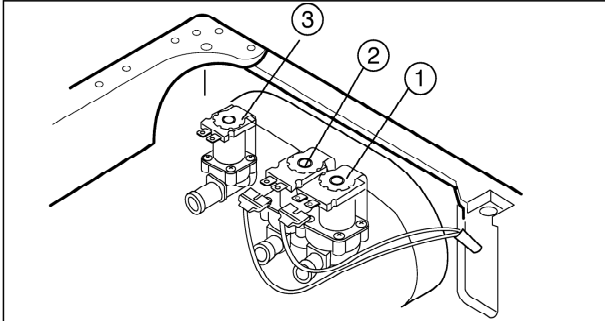
- ① Disassemble the top plate assembly.
- ② Pull out the drawer to arrow direction.
- ③ Unscrew 3 screws.



- ① The hose clamps and the hose are disassembled.
- ② The ventilation bellows and the water inlet bellows are disassembled on the tub.



## INLET VALVE

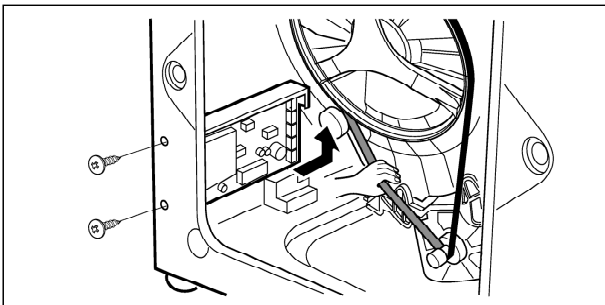


- ① Disconnect the wiring receptacle.
  - ② Unscrew 2 screws from the back.
- ※When reconnecting the connector.

VALVE #1 (MAIN)	Whited/Black-Black
VALVE #2 (PRE)	Gray/ White - Black
VALVE #3 (HOT)	Blue/Red - Black

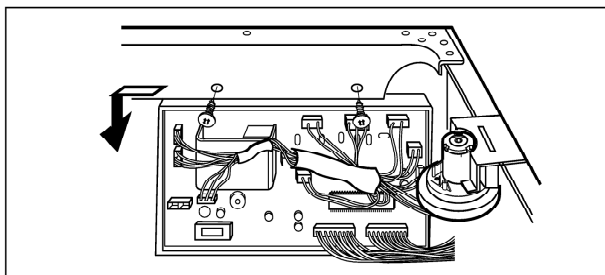
[WD(M)-8070F(H)(B)/WD(M)-1070(5)F(H)(B)/WD(M)-1170(5)F(H)B  
WD(M)-1270(5)F(H)B/WD(M)-1370(5)F(H)B/WD(M)-8074F(H)B  
WD(M)-1074(6)F(H)B/WD(M)-1174(6)F(H)B/WD(M)-1274(6)F(H)B  
WD(M)-1374(6)F(H)B/WD-8078FHB/WD-1078FHB/WM-1171(6)FHB  
WM-1371(6)FHB/WD-1271FB(B)/WD-1071FB(B)]

## PWB ASSEMBLY (MAIN)

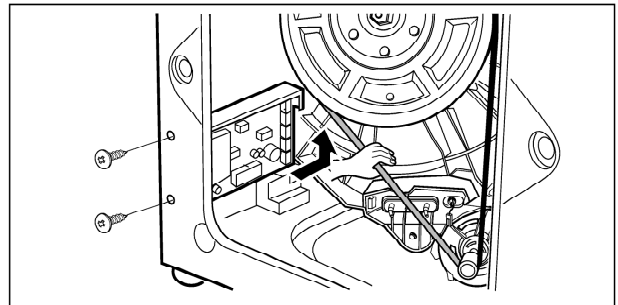


- ① Remove the back cover.

■ WD-8070F(H), WD-1070(5)F(H)

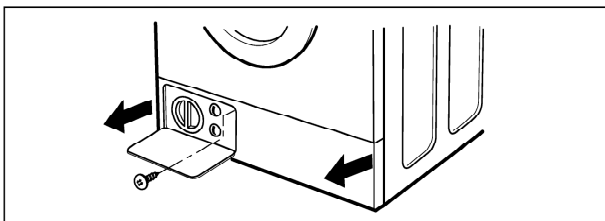


- ① Unscrew 2 screws.
- ② Pull the PWB assembly (Main) as shown.



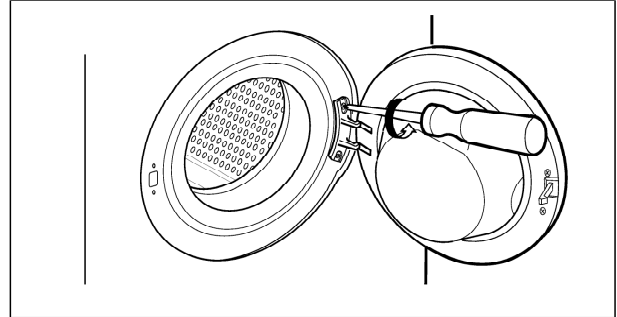
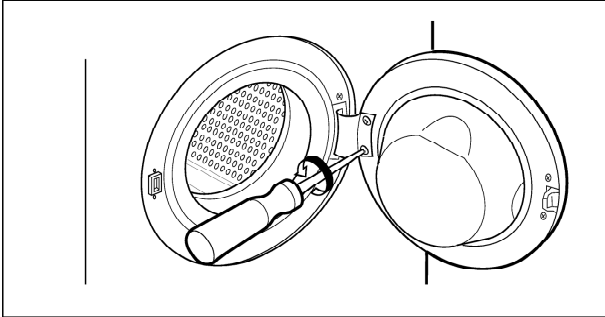
- ② Unscrew 2 screws.
- ③ Pull the PWB assembly (Main) as shown.

## LOWER COVER



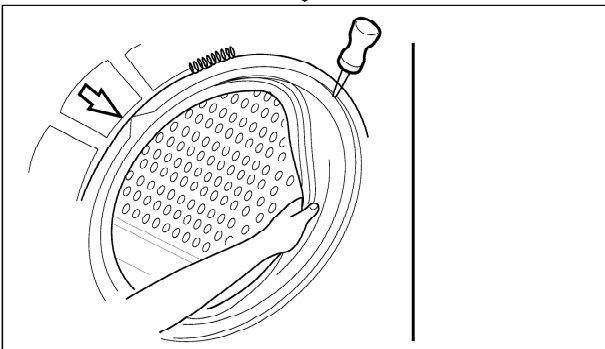
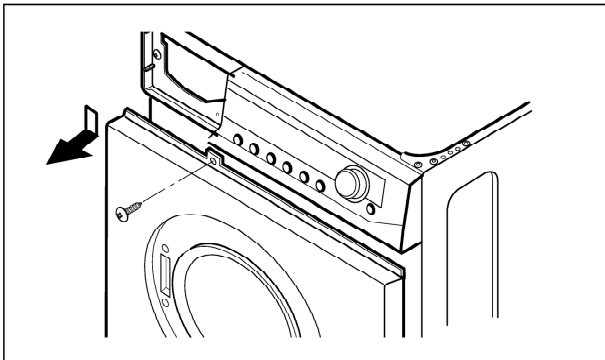
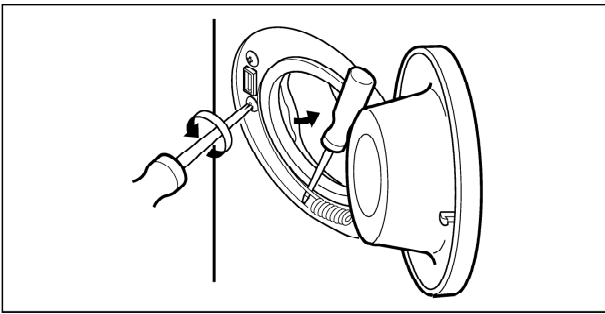
- Open the lower cover plate by using coin and pull out the lower cover in the arrow direction after a screw is unscrewed.

## DOOR



- ① Open the door completely.
- ② Remove the two screws from the hinge.

## GASKET ASSEMBLY

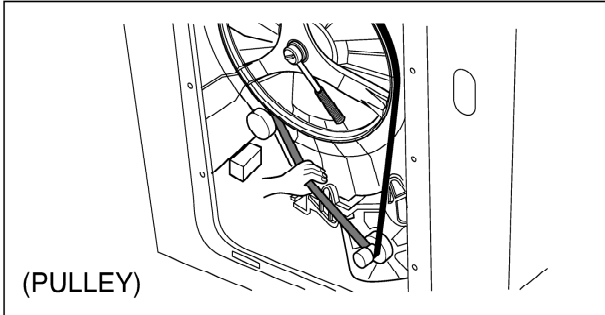


- ① Take apart the cabinet gasket clamp.
- ② Unscrew 2 screws from the cabinet cover.
- ③ Open the lower cover cap and unscrew 1 screw inside.
- ④ Take apart the lower cover.

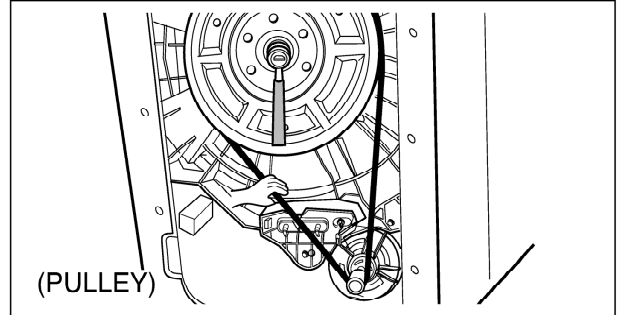
- ① Unscrew all the screws on the upper and lower sides of the cabinet cover.

- ① Take apart the tub gasket clamp.
- ② Make sure that the drain hole of the gasket is put beneath when reassembling the gasket.  
※ Refer to the arrow mark on the tub cover.

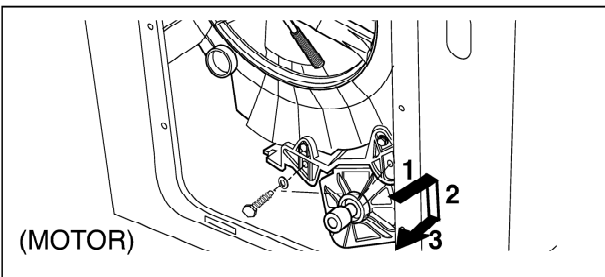
## PULLEY, MOTOR, DAMPER



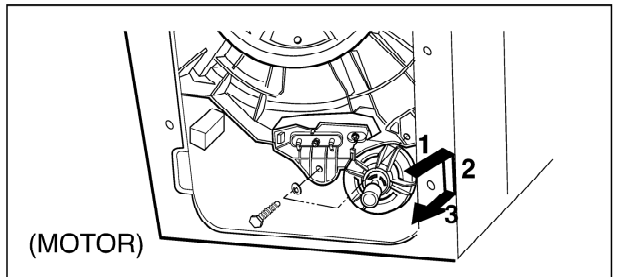
- ① Remove the back cover.
- ② Take off the belt turning the pulley.



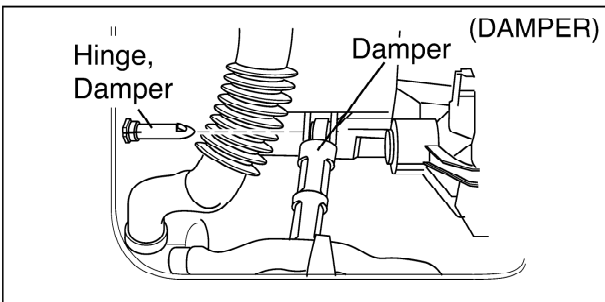
- ③ Unscrew the bolt to pull out the pulley.



- ① Unscrew 2 screws from the bracket.
- ② Push the motor in the arrow direction for disassembling.

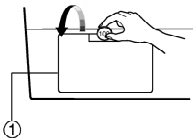


- ③ When reassembling the motor, make sure that motor mounting bushings are not taken off from the bracket.

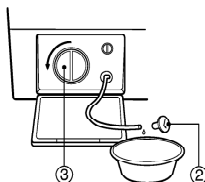


- ① Pull out the hinge, pressing its snap.
- ② Do not use the pulled out hinge again. It may be taken off during operation.

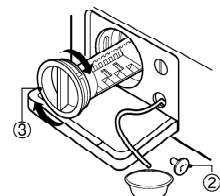
### ■ Clean the drain pump filter



Open the lower cover cap ( ① ) by using coin.

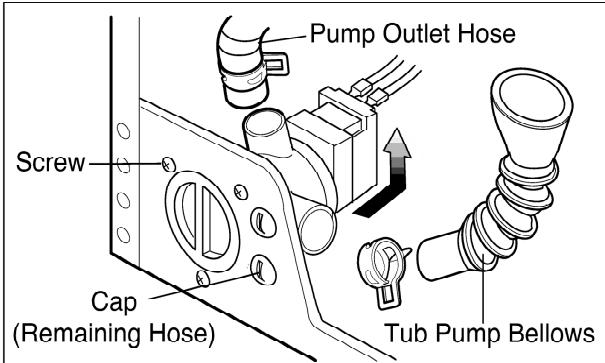


Unplug the drain plug ( ② ), then the water flows out, At this time use a vessel to prevent water flowing on the floor. If the water does not flow any more, turn the pump filter ( ③ ) open to the left.



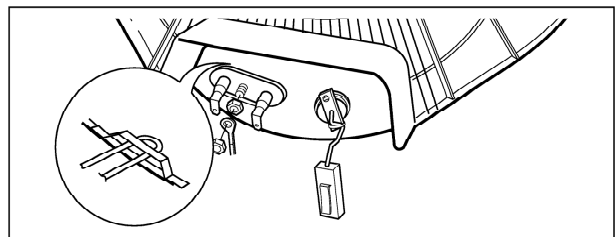
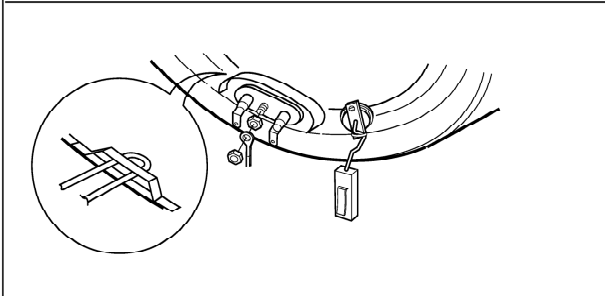
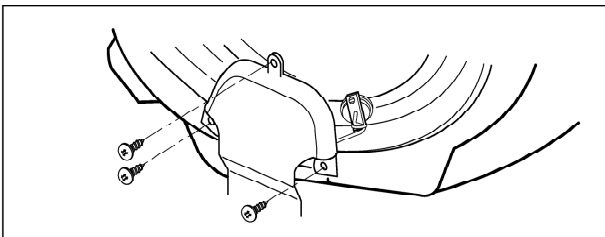
Take out any foreign material from the pump filter ( ③ ). After cleaning, turn the pump filter ( ③ ) clockwise and insert the drain plug ( ② ) to the original place. close the lower cover cap.

## PUMP



- ① Remove pump outlet hose.
- ② Remove tub pump bellows.
- ③ Remove cap (remaining hose.)
- ④ Disconnect the wiring.
- ⑤ Unscrew 3 screws.
- ⑥ Remove the pump.

## HEATER

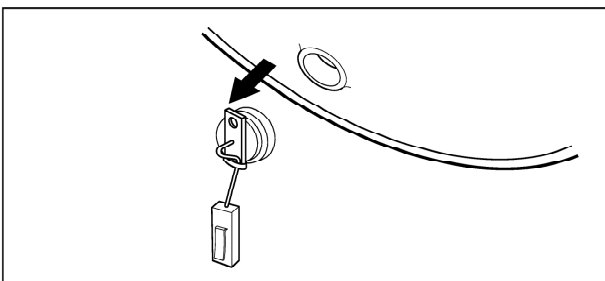


- ① Unscrew 3 screws fixing the heater protecting cover.
- ② Loosen the M6 heater nut to pull out the heater.

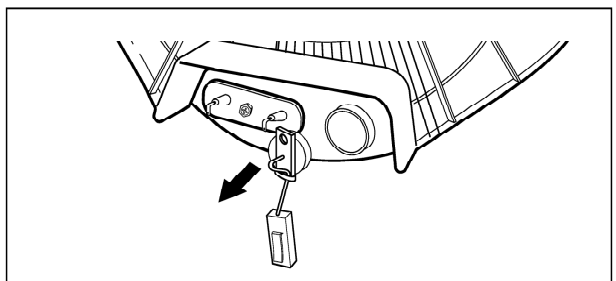
### CAUTION

When mounting the heater, be sure to insert the heater into the heater clip on the bottom of the tub.

## THERMISTOR

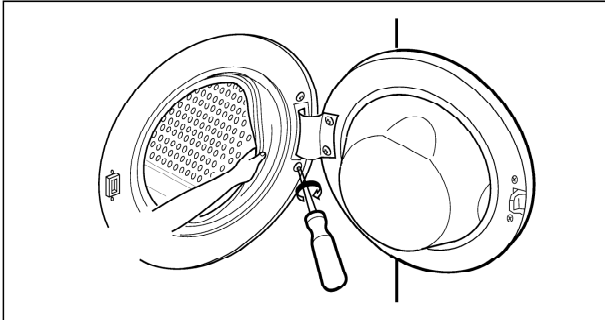


- ① Pull it out by holding the thermistor bracket.
- \* If it is pulled by the wire, it may be broken.

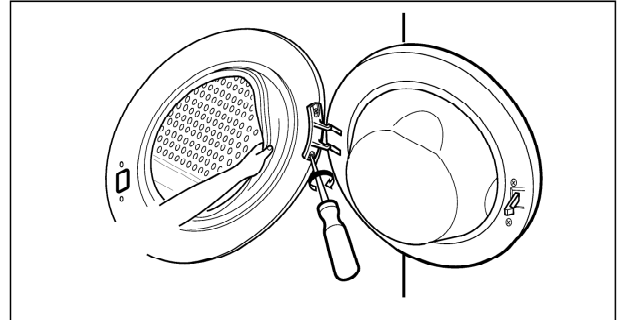


- ② When mounting the thermistor again, make sure that it is got back tight to the rubber.

## DOOR HINGE ASSEMBLY

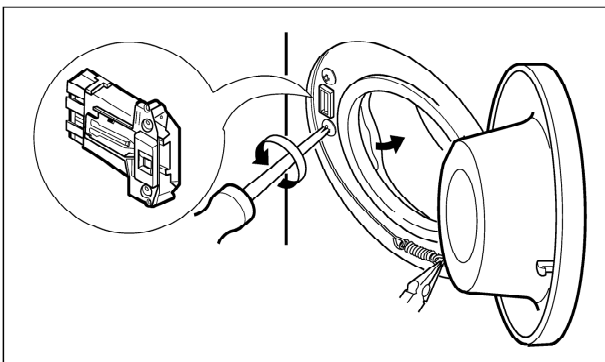


- ① Disassemble the door from the door hinge.
- ② Take apart the cabinet cover clamp and release the gasket.



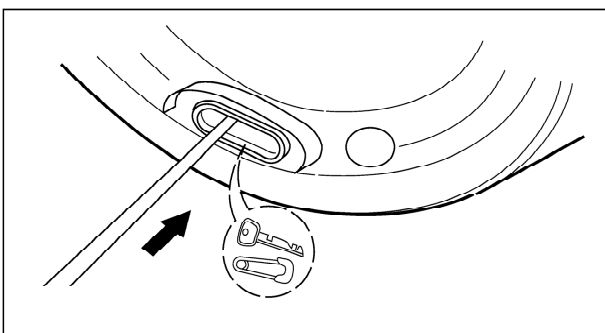
- ③ Unscrew 2 screws on the door hinge.
- ④ Push the door hinge arm to the inside of the cabinet cover for disassembling.

## SWITCH ASSEMBLY, DOOR LOCK

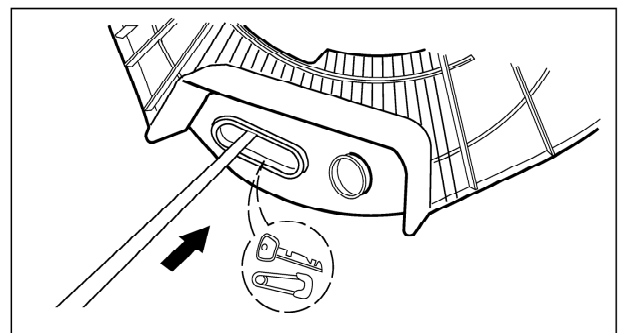


- ① Take apart the cabinet cover clamp and release the gasket.
- ② Unscrew 2 screws holding the door lock.
- ③ Disconnect the door lock from the wiring connector.

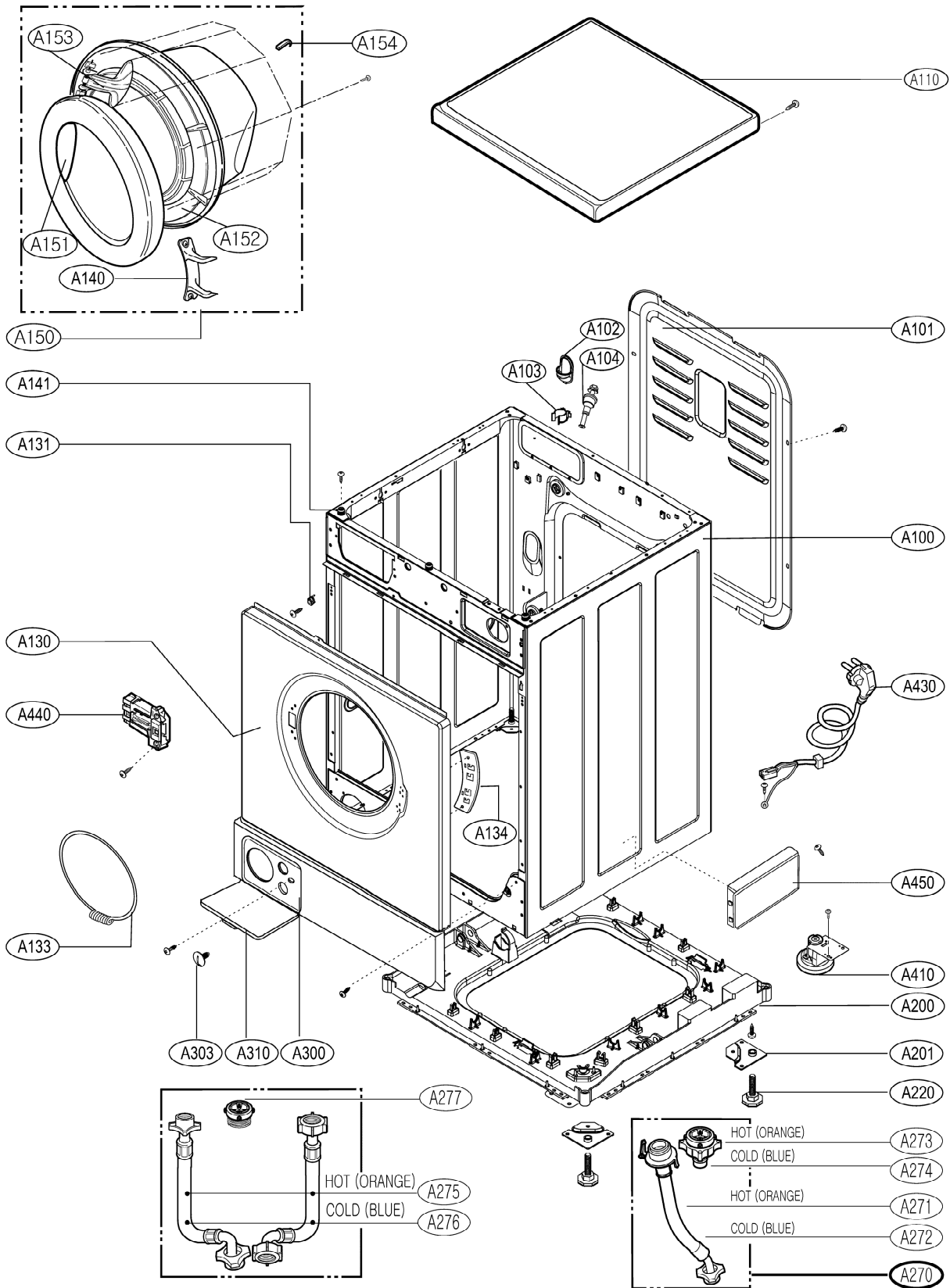
## WHEN FOREIGN MATERIAL IS STUCK BETWEEN DRUM AND TUB



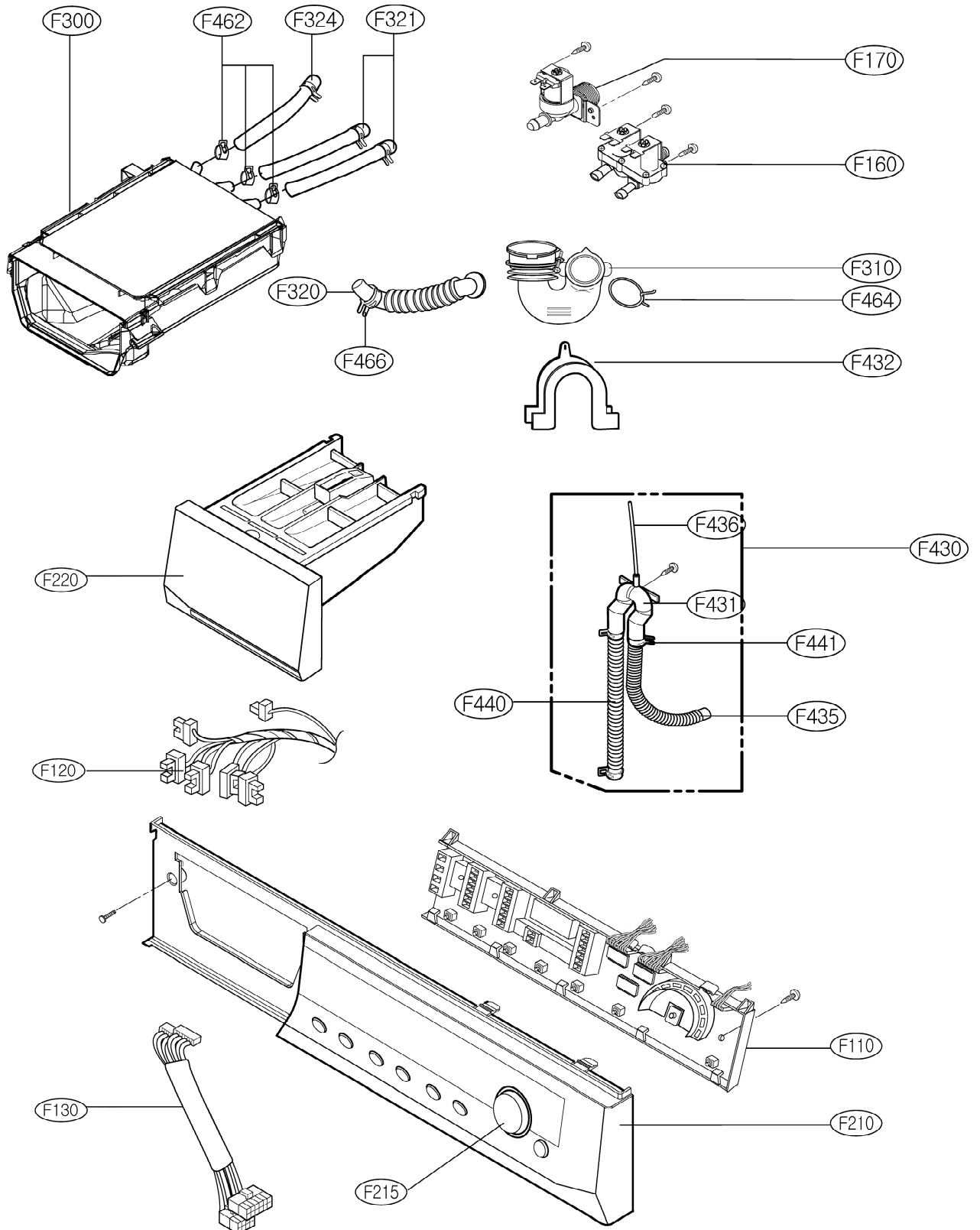
- ① Remove the heater.
- ② Remove the foreign material (wire, coin and others) by inserting a long bar through the hole.



■ WD(M)-8074F(H)B, WD(M)-1074(6)F(H)B, WD(M)-1174(6)F(H)B, WD(M)-1274(6)F(H)B, WD(M)-1374(6)F(H)B  
 WD-8078FHB, WD-1078FHB, WM-1171(6)FHB, WM-1371(6)FHB, WD-1271FB(B), WD-1071FB(B)



# 11-2 THE EXPLODED VIEW OF CONTROL PANEL & DISPENSER ASSEMBLY



■ WD(M)-8074F(H)B, WD(M)-1074(6)F(H)B, WD(M)-1174(6)F(H)B, WD(M)-1274(6)F(H)B, WD(M)-1374(6)F(H)B  
 WD-8078FHB, WD-1078FHB, WM-1171(6)FHB, WM-1371(6)FHB, WD-1271FB(B), WD-1071FB(B)

