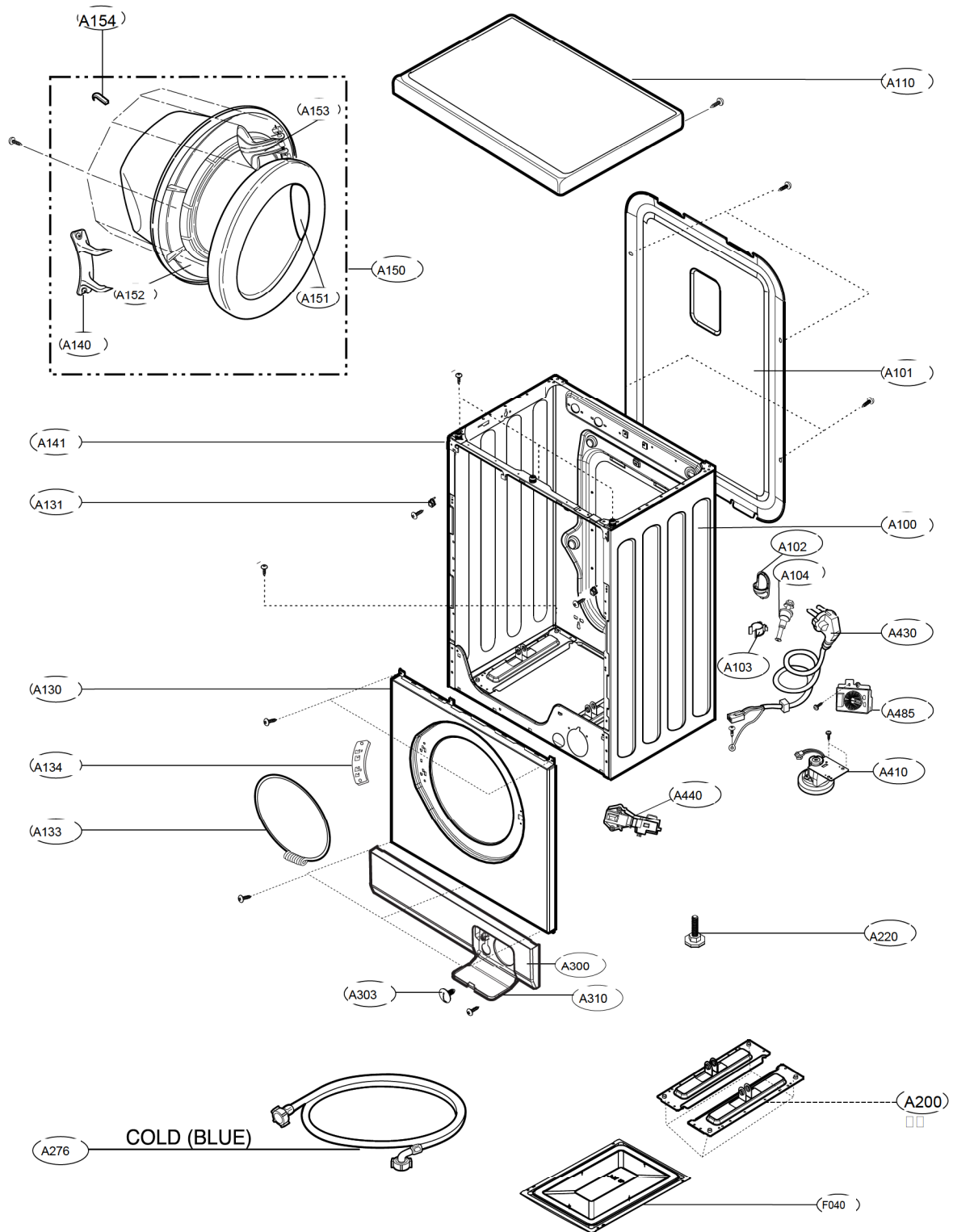
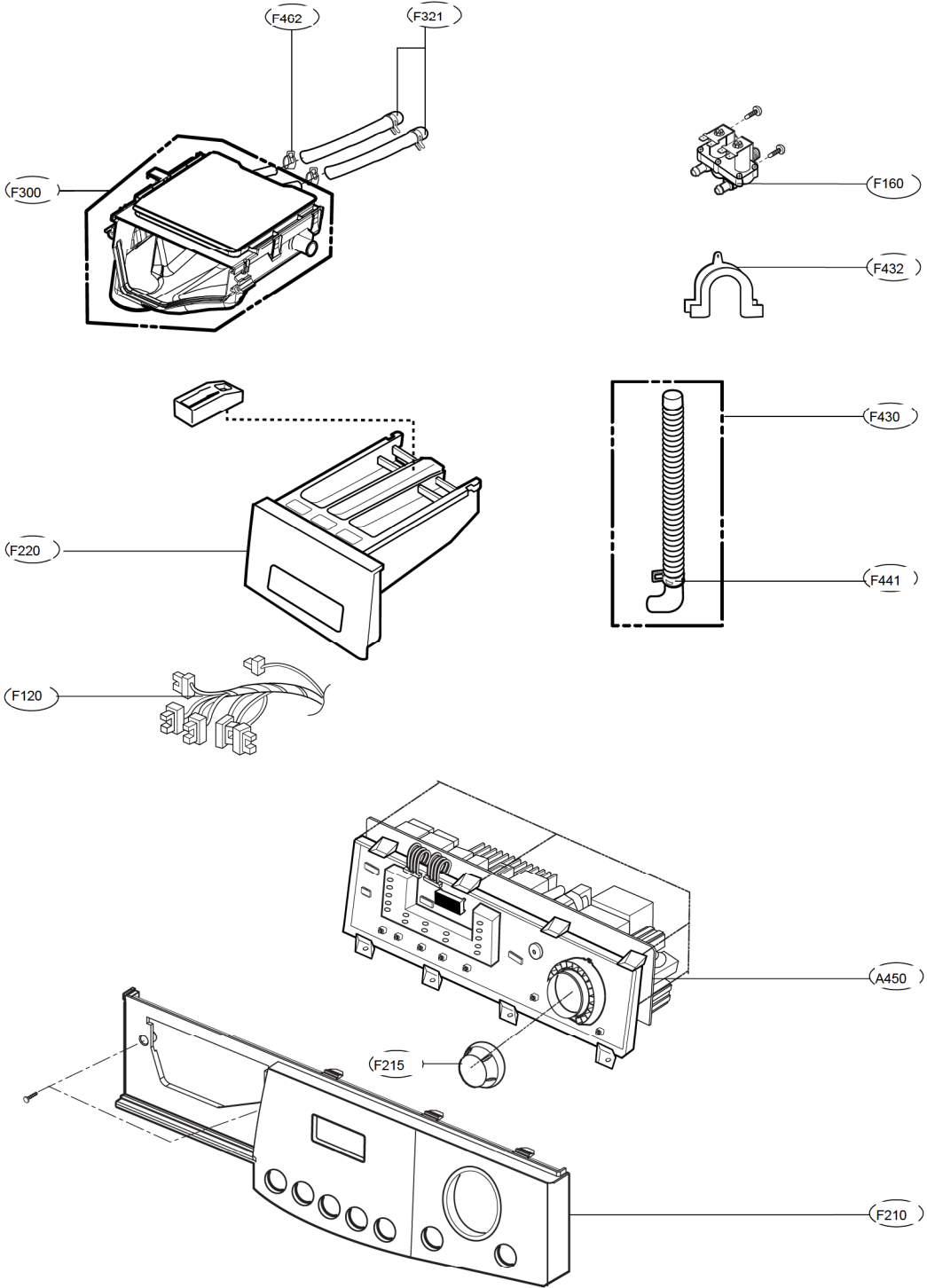


# 10. EXPLODED VIEW

## 10- 1.THE EXPLODED VIEW OF CABINET ASSEMBLY



10- 2THE EXPLODED VIEW OF CONTROL PANEL & DISPENSER ASSEMBLY



# 10- 3 THE EXPLODED VIEW OF DRUM & TUB ASSEMBLY

