



# Machine à laver

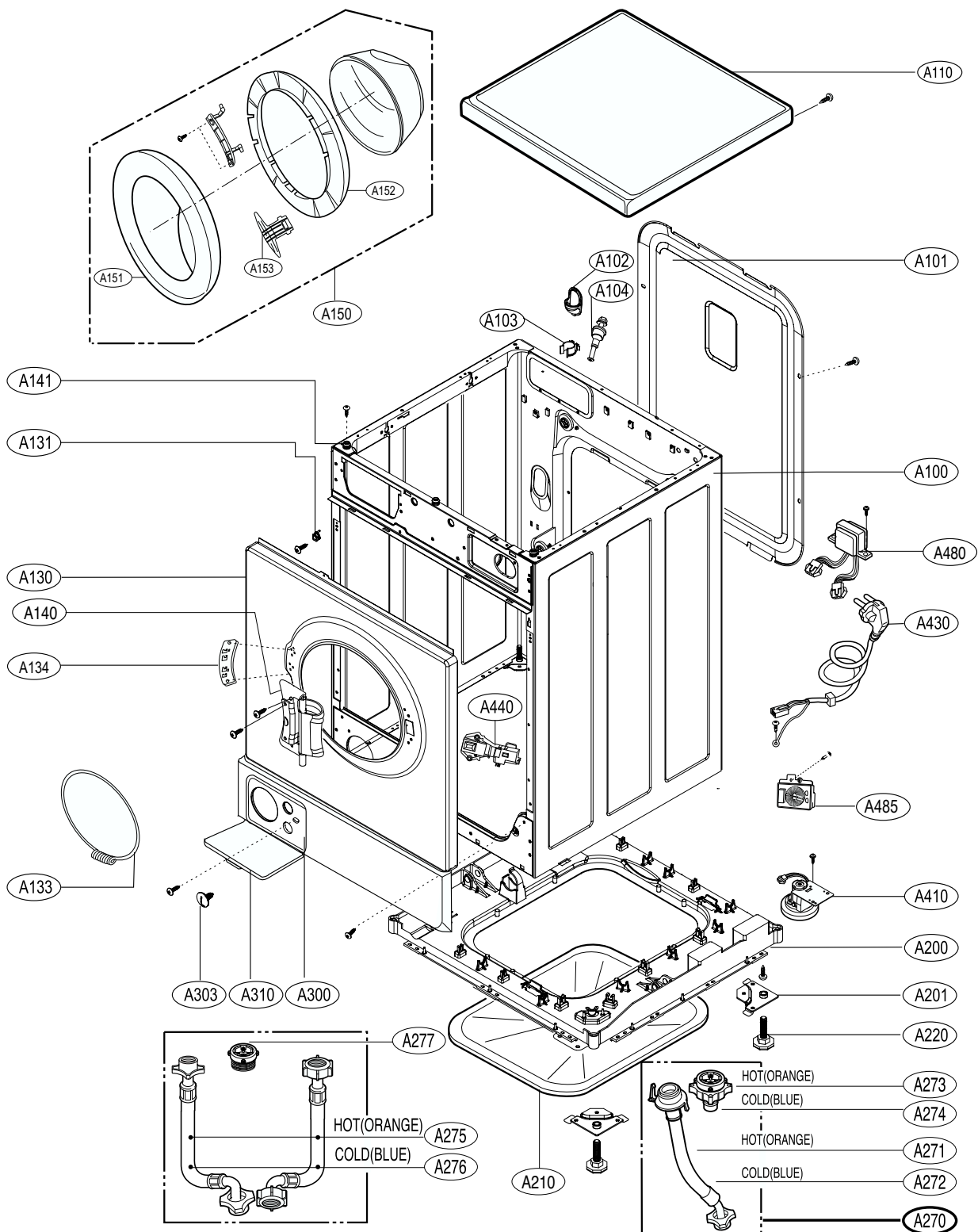
## MANUEL D'UTILISATION

WD-13150(5)FB  
WD-12150(5)FB  
WD-11150(5)FB  
WD-10150(5)FB  
WD-90150(5)FB  
WD-80150FB

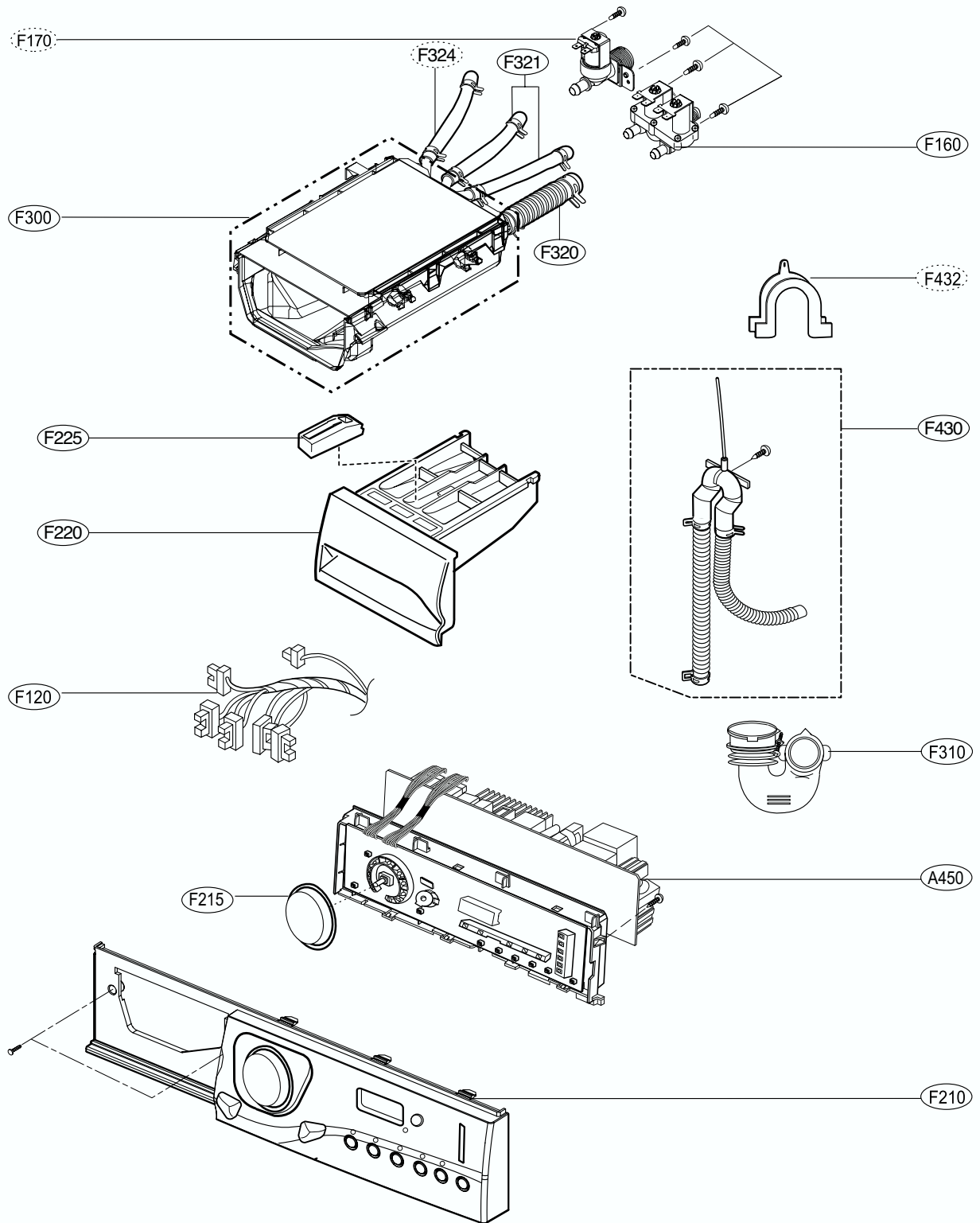
Merci pour votre achat  
Machine à laver totalement Automatique LG.  
Nous vous recommandons de lire soigneusement votre notice  
d'utilisation qui vous donnera toutes les instructions  
utiles pour l'installation, l'utilisation et la maintenance.  
Conservez-la pour vous y référer par la suite.  
Enregistrez le modèle et les numéros de séries de votre machine à laver

# 10. EXPLODED VIEW

## 10-1. THE EXPLODED VIEW OF CABINET ASSEMBLY



# 10-2 THE EXPLODED VIEW OF CONTROL PANEL & DISPENSER ASSEMBLY





## Sheet1

Positions Nr	E-Teil Nr.	Beschreibung
*001	3829ER3013F	Manual Assembly,Owners
*002	3890EZ3446B	Box,Carton
*003	3W20018B	Spanner
*004	3828ER3013D	Manual,Service
A100	3091FR0045V	Cabinet Assembly
A101	3550ER1028A	Cover,Rear
A110	3301ER1001F	Plate Assembly,Top
A130	3550ER1009A	Cover,Cabinet
A131	4930ER4004A	Holder
A131	5001ER3001B	ACCESSORY ASSEMBLY
A133	2W20017C	CLAMP ASSEMBLY
A133	2W20017C	Clamp Assembly
A134	4810ER3004B	Bracket,Hinge
A140	4774ER2001A	Hinge
A141	4930ER4001A	Holder
A141	5001ER3001B	ACCESSORY ASSEMBLY
A150	3581ER1005D	Door Assembly
A153	3650ER3002B	Handle
A200	3041FR1135S	Base Assembly,Cabinet
A201	4810ER3016A	Bracket,Base
A220	4779ER3002A	Leg Assembly
A220	4779ER3002A	LEG ASSEMBLY
A220	4779ER3002A	Leg Assembly
A220	4779ER3002A	LEG ASSEMBLY
A220	5001ER3001B	ACCESSORY ASSEMBLY
A276	3W40102P	Hose Assembly,Inlet
A276	3W40102P	Hose Assembly,Inlet
A300	3550ER1012A	Cover,Lower
A303	5006ER3009A	Cap,Drain Hose
A310	5006FR3179A	Cap,Cover
A410	6600FA1704X	Switch Assembly,Pressure
A410	6600FA1704X	SWITCH ASSEMBLY,SENSOR SWITCH
A430	6411ER1005F	Power Cord Assembly
A440	6601ER1005A	Switch Assembly,Locker
A440	6601ER1005A	Switch Assembly,Locker
A450	0ILNRKE003A	IC,Comparator
A450	6871ER1011B	PCB Assembly,Main
A480	5874EC2002A	Transformer,Reactor
A485	6201EC1006E	Filter Assembly
A485	6201EC1006E	Filter Assembly
F110	6871EC2016A	PCB Assembly,Display
F120	6877ER1017J	Drawing,Assembly
F140	6877ER1018B	Harness,Multi
F160	5220FR1251E	Valve Assembly,Inlet
F160	5220FR1251E	Valve Assembly,Inlet
F210	3721ER1041S	Panel Assembly,Control
F215	4940ER3010B	Knob,Rotary
F215	4940ER3010B	KNOB,ROTARY
F220	3721ER1197L	Panel Assembly,Drawer
F300	4925ER1002B	Dispenser Assembly
F310	4738FR2065A	Bellows

Sheet1

F320	4738ER3001B	Bellows
F321	5214FR4125L	Hose,Inlet
F430	5215ER2002C	Hose Assembly,Drain
F431	4932ER3008A	Connector,Drain Hose
F435	5214FD3663D	Hose,Drain
F436	5214FR4125B	Hose,Inlet
F440	5214FR3188E	Hose,Pump
F441	4861FR3068C	Clamp
F441	4861FR3068C	CLAMP
F461	4861FR3068C	Clamp
F461	4861FR3068C	CLAMP
F464	4860FR3092D	Clamp
F464	4860FR3092D	CLAMP
F466	4861FR3068B	Clamp
F467	4860FR3092C	Clamp
K105	3045ER0006A	Tub Assembly,Outer
K110	3045ER1002N	Tub Assembly,Drum(Inner)
K111	4432ER1003A	Lifter
K115	4434ER1003G	Spider
K121	4280FR4048K	Bearing,Ball
K122	4280FR4048C	Bearing,Ball
K125	4036ER2003A	Gasket
K130	4866ER1012D	Balance Weight
K131	4011FR3173D	Bolt Assembly
K135	4866ER1014A	Balance Weight
K136	4011FR3173D	Bolt Assembly
K140	3551ER0002P	Cover Assembly,Tub
K141	4036ER4001A	Gasket
K210	4400FR3116D	Belt,Poly V
K212	4W50100E	Washer,Customized
K220	4560ER1001A	Pulley,Drum
K221	1NZZFA4352B	Nut,Common
K310	6322FR2046C	Thermistor,NTC
K310	6322FR2046C	THERMISTOR ASSEMBLY
K311	4036FR4050A	Gasket
K320	5301ER1001B	Heater Assembly
K320	5301ER1001B	Heater Assembly
K330	4681ER1003A	Motor Assembly,DC,Drum
K330	4681ER1003A	Motor,Unclassified
K332	4040FR4051G	Bolt Assembly
K332	4040FR4051G	BOLT ASSEMBLY
K340	4681EA2002B	Motor Assembly,AC,Pump
K340	4681EA2002B	Motor Assembly,AC
K342	5214FR4006H	Hose,Connector
K344	3661FR2093E	Casing Assembly,Pump
K351	6501KW3002A	Sensor Assembly
K410	4970FR2084H	Spring,Hinge
K411	4930FR3040A	Holder
K411	4930FR3040A	HOLDER
K420	4970FR2084G	Spring,Hinge
K510	4986ER1003A	Gasket
K520	4738FR1145A	Bellows
K520	4738FR1145A	BELLOWS

Sheet1

K530	4861ER2001B	Clamp Assembly
K540	3504FR3134A	Chamber,Air
K540	3504FR3134A	CHAMBER,AIR
K550	5214FR4125M	Hose,Inlet
K610	4900FR2030E	Damper Assembly,Friction
K611	4774FR3118B	Hinge
K611	4774FR3118B	HINGE