



P/No.:3828EN9008Q



website : <http://www.LGService.com>  
e-mail : <http://LGService.com/techsup.html>

# WASHING MACHINE SERVICE MANUAL

## CAUTION

READ THIS MANUAL CAREFULLY TO DIAGNOSE TROUBLE  
CORRECTLY BEFORE OFFERING SERVICE.

<b>MODEL :</b>	<b>WD-1018(0~9)SUP</b>	<b>WD-10302TUP</b>
	<b>WD-8018(0~9)SUP</b>	<b>WD-10302NUP</b>
	<b>WD-6518(0~9)SUP</b>	<b>WD-10302SUP</b>
	<b>WD-1018(0~9)NUP</b>	<b>WD-80302TUP</b>
	<b>WD-8018(0~9)NUP</b>	<b>WD-80302NUP</b>
	<b>WD-6518(0~9)NUP</b>	<b>WD-80302SUP</b>
	<b>WD-1018(0~9)TUP</b>	<b>WD-65302TUP</b>
	<b>WD-8018(0~9)TUP</b>	<b>WD-65302NUP</b>
	<b>WD-6518(0~9)TUP</b>	<b>WD-65302SUP</b>

---

# CONTENTS

1. SPECIFICATION.....	3
2. FEATURES & TECHNICAL EXPLANATION .....	4
3. PARTS IDENTIFICATION .....	6
4. INSTALLATION.....	7
5. OPERATION.....	10
6. WIRING DIAGRAM/PROGRAM CHART .....	12
7. TROUBLESHOOTING.....	13
7-1.BEFORE PERFORMING SERVICE .....	13
7-2.TEST MODE .....	13
7-3.HOW TO KNOW THE WATER LEVEL FREQUENCY.....	13
7-4.ERROR DISPLAY .....	14
8. ERROR DIAGNOSIS AND CHECK LIST .....	15
8-1. DIAGNOSIS AND ANSWER FOR ABNORMAL OPERATION .....	15
8-2. FAULT DIAGNOSIS AND TROUBLESHOOTING .....	18
9. DISASSEMBLY INSTRUCTIONS .....	24
10. EXPLODED VIEW .....	31
10-1. THE EXPLODED VIEW OF CABINET ASSEMBLY .....	31
10-2. THE EXPLODED VIEW OF CONTROL PANEL & DISPENSER ASSEMBLY .....	32
10-3. THE EXPLODED VIEW OF DRUM & TUB ASSEMBLY.....	33
*APPENDIX (Replacement parts list).....	34

# 1. SPECIFICATION

ITEM	WD-1018(0~9)SUP WD-8018(0~9)SUP WD-6518(0~9)SUP WD-10302SUP WD-80302SUP WD-65302SUP	WD-1018(0~9)NUP WD-8018(0~9)NUP WD-6518(0~9)NUP WD-10302NUP WD-80302NUP WD-65302NUP	WD-1018(0~9)TUP WD-8018(0~9)TUP WD-6518(0~9)TUP WD-10302TUP WD-80302TUP WD-65302TUP
POWER SUPPLY	220-240V~, 50Hz		
PRODUCT WEIGHT	55kg	60kg	65kg
ELECTRICITY CONSUMPTION	WASHING	110W	
	SPIN (800rpm)	320W	
	DRAIN MOTOR	30W	
	WASH HEATER	2100W	
REVOLUTION SPEED	WASH	50rpm	
	SPIN	WD-6518(0~9)S(N)(T)UP / WD-65302S(N)(T)UP	400/500/600/650rpm
		WD-8018(0~9)S(N)(T)UP / WD-80302S(N)(T)UP	400/500/600/800rpm
	WD-1018(0~9)S(N)(T)UP / WD-10302S(N)(T)UP	400/600/800/1000rpm	
OPERATION WATER PRESSURE	0.3-10kgf/cm <sup>2</sup> (30-1000kPa)		
CONTROL TYPE	MICOM		
WASH CAPACITY	refer to the rating label		
	Synthetic(1.5), Delicate(1.0) Wool(1.0), Hand Wash(1.0) Quick 30(1.0)	Synthetic(1.7), Delicate(1.5) Wool(1.5), Handwash(1.5) Quick 30(1.5)	Synthetic(3.0), Delicate(2.0) Wool(2.0), Handwash(2.0) Quick 30(2.0)
DIMENSION	600mm(W)x360mm(D)x850mm(H)	600mm(W)x440mm(D)x850mm(H)	600mm(W)x550mm(D)x850mm(H)
WASH PROGRAM	Cotton, Synthetic, Delicate, Wool, Hand Wash, Quick 30, Drain		
OPTION	Bio, Rinse +, Pre-Wash, Crease Care		
DOOR SWITCH TYPE	Bi-Metal type		
WATER LEVEL	9 steps (by sensor)		
RESERVATION	From 3 hours to 19 hours		
SENSING OF THE LAUNDRY AMOUNT	Adopted		
FUZZY LOGIC	Adopted		
DISPLAY OF THE REMAINING TIME	Adopted		
ERROR DIAGNOSIS	7 items		
POWER AUTO OFF	Adopted		
CHILD LOCK	Adopted		
AUTO RESTART	Adopted		

## 2. FEATURES & TECHNICAL EXPLANATION

---

### 2-1.FEATURES



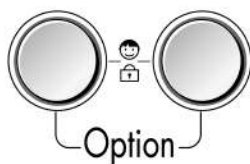
#### ■ Protection against creases

With the alternate rotation of the drum, creasing in the laundry is minimized.



#### ■ More economical by Fuzzy Logic System

FUZZY Logic System detects the amount of load and water temperature, and then determines the optimum water level and washing time to minimize energy and water consumption.



#### ■ Child-Lock

The Child-Lock system has been developed to prevent children from pressing any button (except Power button) to change the programme during operation.



#### ■ Low noise speed control system

By sensing the amount of load and balance, automatical distributes load evenly to minimize the spinning noise level.



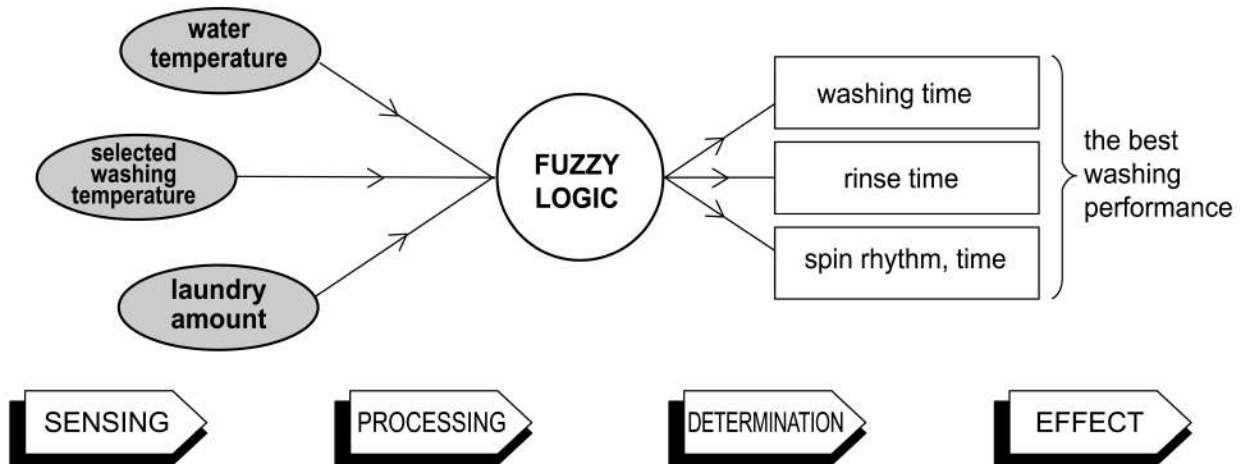
#### ■ Auto Restart

Although the washing machine is turned off by a power failure, it restarts automatically where it stopped when power is supplied again. and it will be the same the machine is unplugged and is plugged in again.

---

## 2-2.DETERMINE WASHING TIME BY FUZZY LOGIC

To get the best washing performance optimal time is determined by sensing of water temperature, selected washing temperature and laundry amount.



## 2-3.WATER LEVEL CONTROL

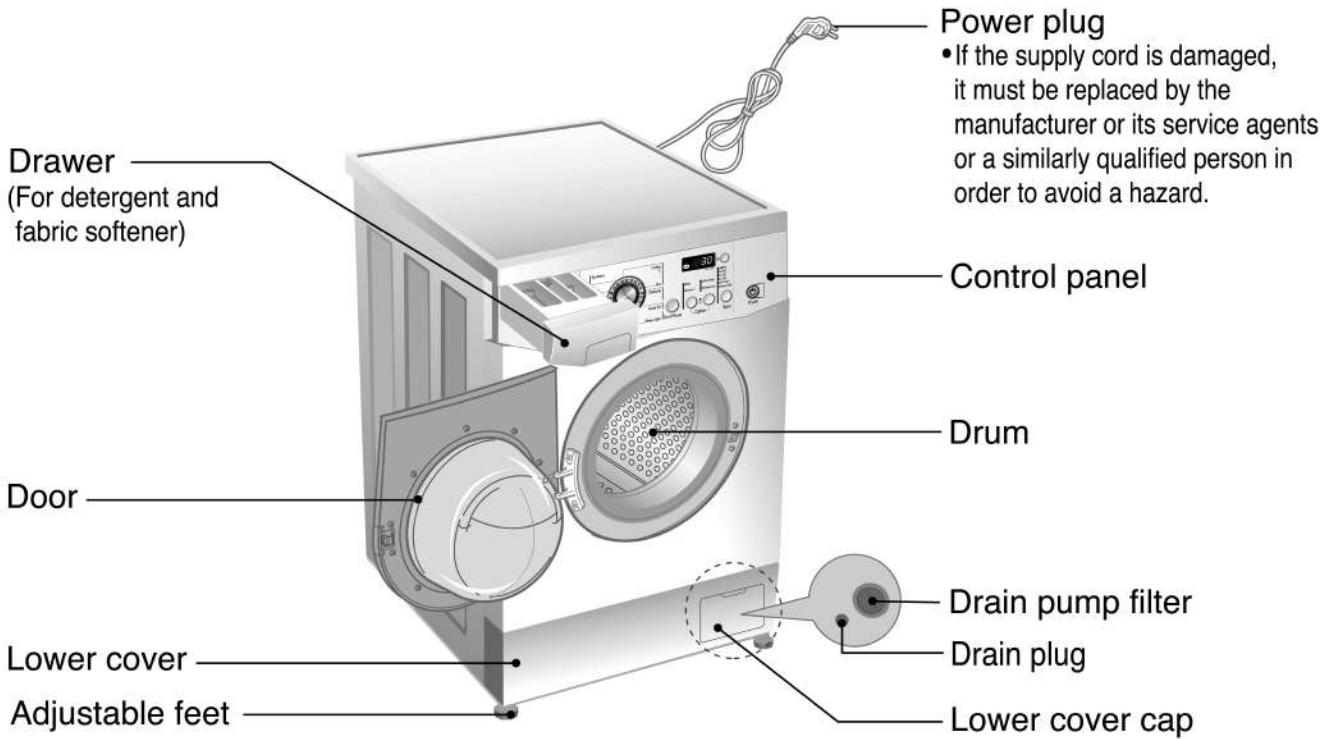
- This model adopts a pressure sensor which can sense the water level in the tub.
- When the water level reaches to the preset level the water supply is stopped, then the washing program proceeds.
- Spinning does not proceed until the water in the tub reduces a certain level.

## 2-4.THE DOOR CAN NOT BE OPENED

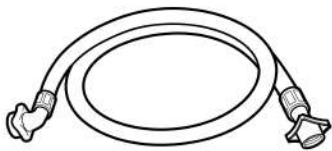
- While program is operating.
- While **Door Lock** light turns on.

# 3. PARTS IDENTIFICATION

---



## ■ ACCESSORIES



Inlet hose Cold (1EA)  
Option: Hot/Cold (2EA)



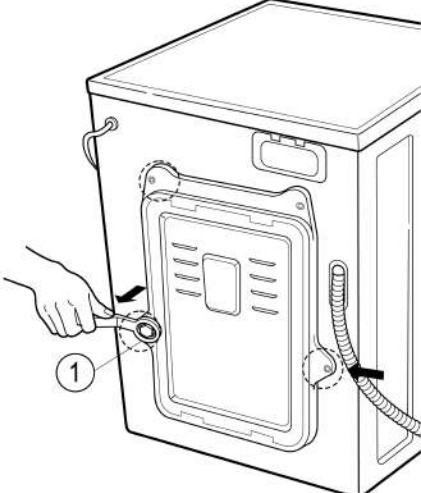
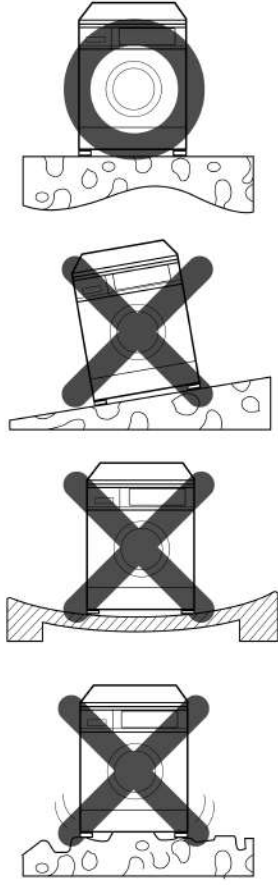
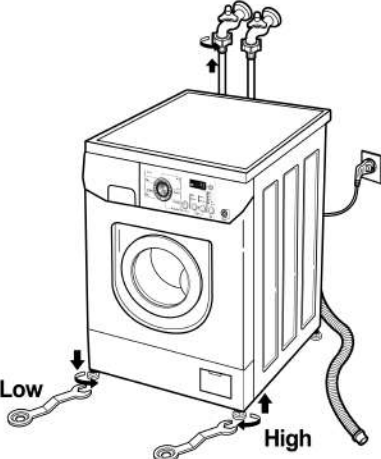
Spanner

## 4. INSTALLATION

- ① Before servicing ask the customer what the trouble is.
- ② Check the adjustment (power supply is 220-240V, remove the transit bolts....)
- ③ Check the troubles referring to the troubleshooting.
- ④ Decide service steps referring to disassembly instructions.
- ⑤ Then, service and repair.
- ⑥ After servicing, operate the appliance to see whether it works O-K or NOT.

### ■ STANDARD INSTALLATION

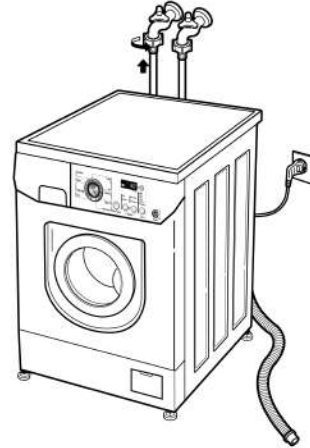
The appliance should be installed as follows.

REMOVE THE TRANSIT BOLTS	INSTALL THE APPLIANCE ON FLAT AND FIRM SURFACE	ADJUST THE HORIZONTAL
<ul style="list-style-type: none"> <li>• Remove the transit bolts (4EA: ①) with supplied wrench.</li> <li>• Keep the transit bolts and wrench for future use.</li> <li>• Insert the 4 caps provided into the hole.</li> </ul> 		<ul style="list-style-type: none"> <li>• Turn the adjustable feet to set the appliance horizontally.</li> </ul>  <ul style="list-style-type: none"> <li>• The appliance goes up by rotating the feet clockwise.</li> <li>• The appliance comes down by rotating the feet counter-clockwise.</li> </ul>

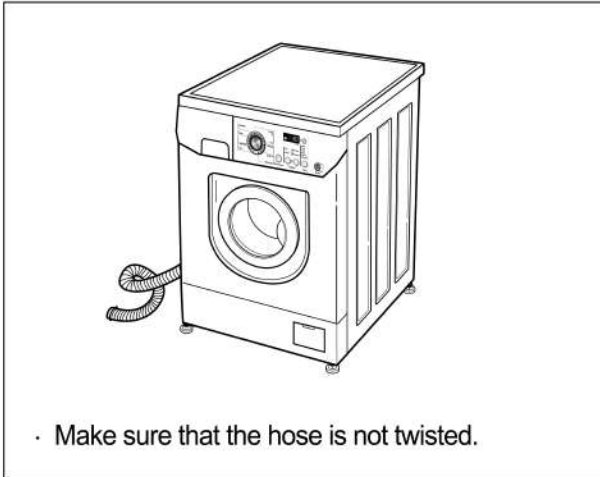


## ■ HOW TO CONNECT INLET HOSE

- Check that the rubber washer is inside of the valve connector.
- Connect the inlet hose firmly to prevent leak.

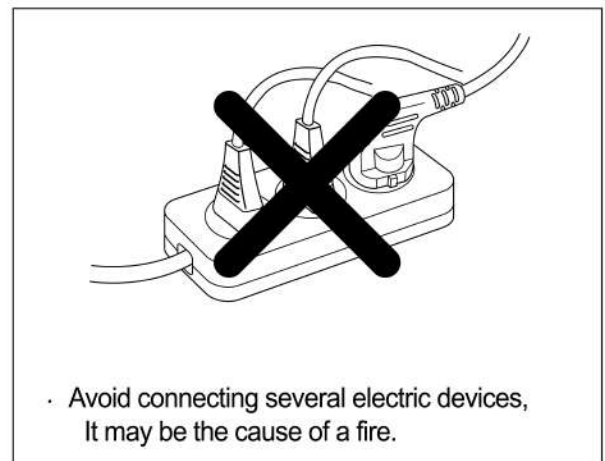
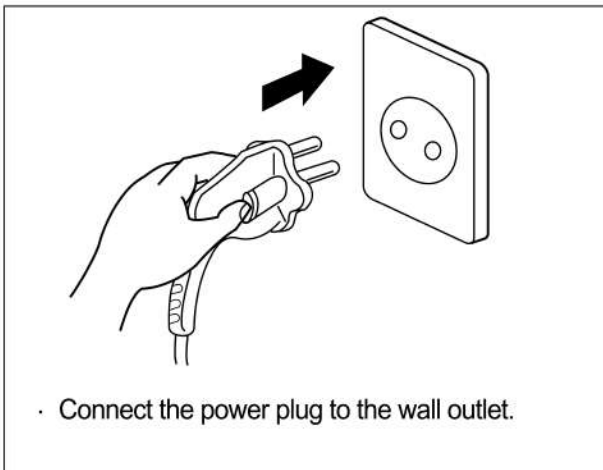


## ■ CONNECT DRAIN HOSE

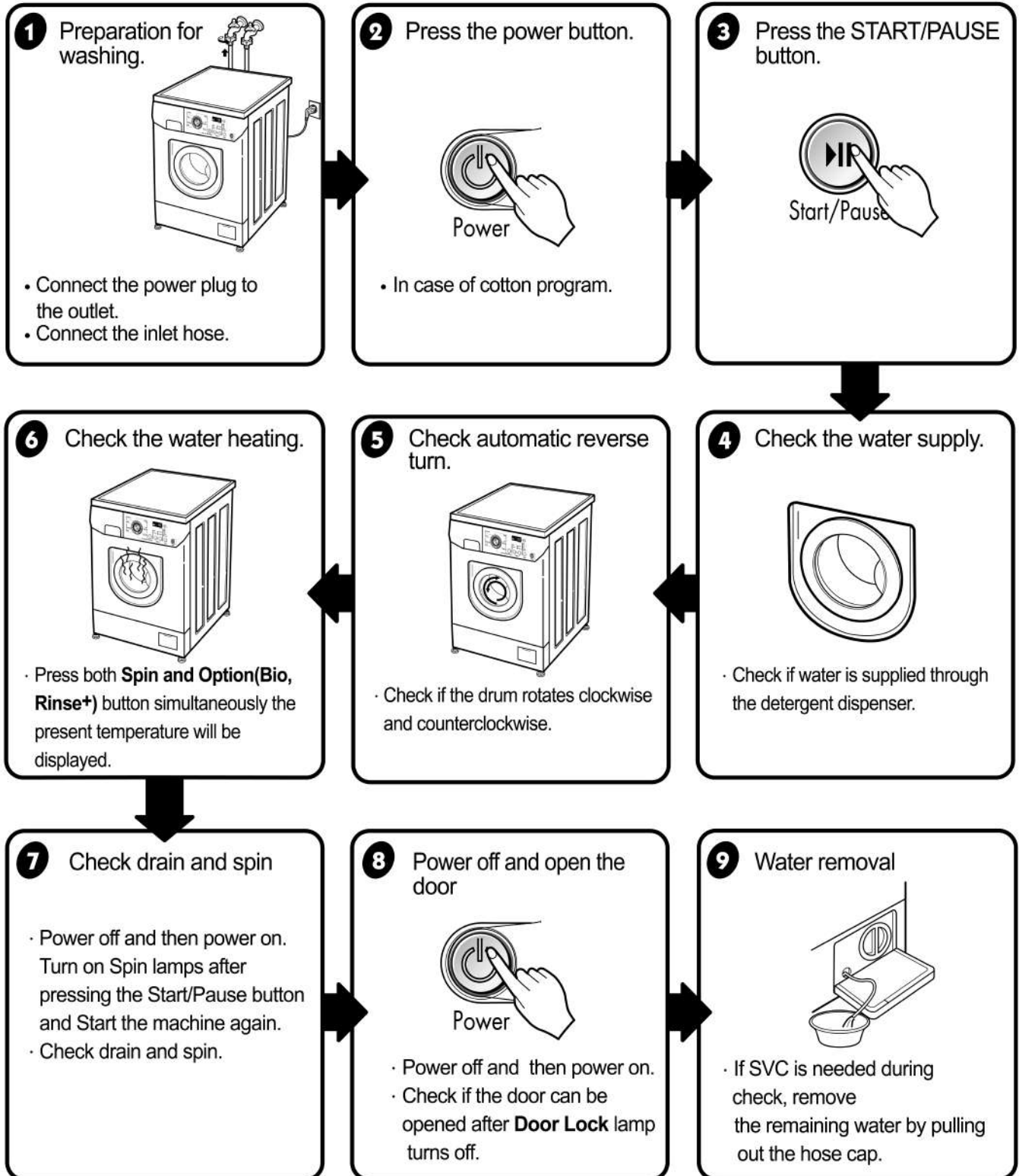


※ The drain hose should be placed under 100cm from the floor.

## ■ CONNECT POWER PLUG



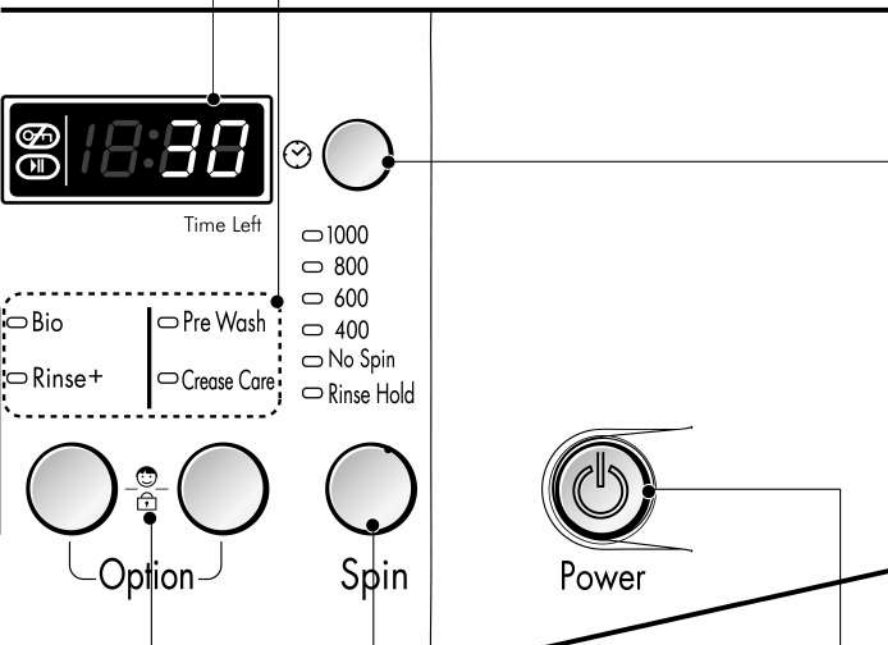
## 7 TEST OPERATION





## Option

- **Bio** : If you want to eliminate protein stains(milk, blood, chocolate...), you may select Bio by pressing the option button.[You can select Bio when temperature is higher than 60°C in Cotton and Synthetic.]
- **Rinse<sup>+</sup>** : If you wish to rinse more, the Rinse<sup>+</sup> option will remove any trace of detergents.
- **Pre Wash** : If the laundry is heavily soiled, "Pre Wash" course is effective.  
Pre Wash is available in Cotton and Synthetic Program.
- **Crease Care** : If you want to prevent crease, select this button with spin



## Time Delay

- Press the button when delayed washing is needed.
- When the button is pressed, [ 3:00 ] is displayed, maximum delay of [ :19:00 ] hours can be set.
- Each press advances time delay by the hour.
- Use [Power] button to cancel [Time Delay]
- [Time Delay] means the time required from the present to the completion of washing.

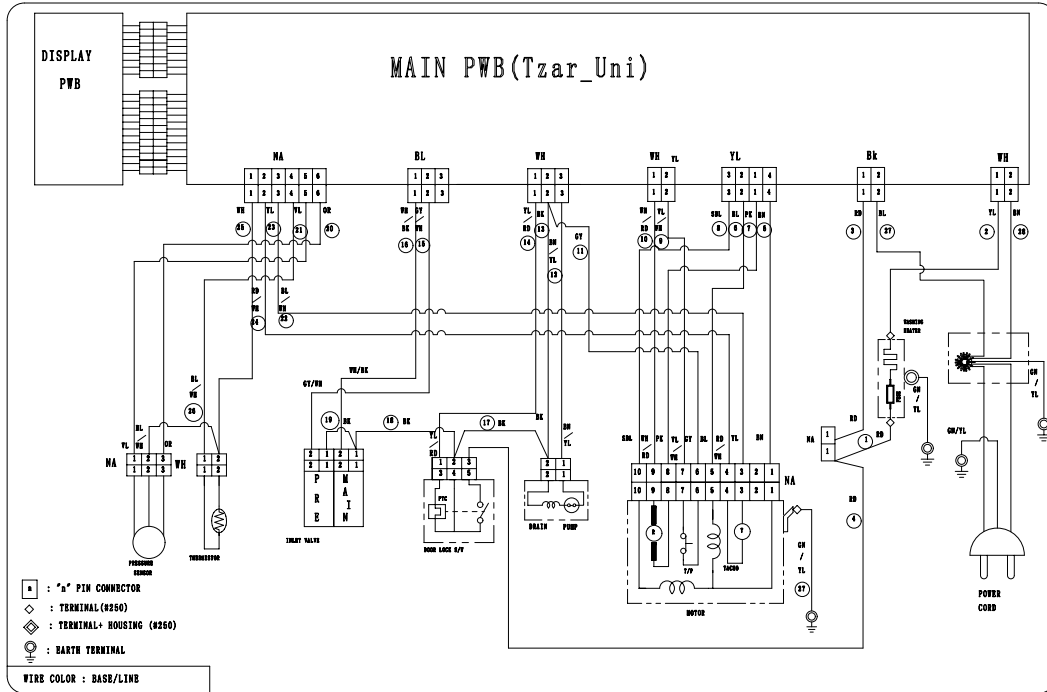
## Spin

- WD-6518(0~9)SUP/ WD-65302SUP  
WD-6518(0~9)NUP/ WD-65302NUP ⇨ No spin/400/500/600/650  
WD-6518(0~9)TUP/ WD-65302TUP
- WD-8018(0~9)SUP/ WD-80302SUP  
WD-8018(0~9)NUP/ WD-80302NUP ⇨ No spin/400/500/600/800  
WD-8018(0~9)TUP/ WD-80302TUP
- WD-1018(0~9)SUP/ WD-10302SUP  
WD-1018(0~9)NUP/ WD-10302NUP ⇨ No spin/400/600/800/1000  
WD-1018(0~9)TUP/ WD-10302TUP

## Power button

- Press the button to turn power on and off.
- Press the button to cancel the time delay.

# 6. WIRING DIAGRAM / PROGRAM CHART



{ ( ) : WD-1018(0-9)SP(NP)|(TP)WD-8018(0-9)SP(NP)(TP) \* Water Supply : W-S \* Intermittent Spin : I-S \* Disentangle : D-T  
 WD-10302SP(NP)(TP)WD-80302SP(NP)(TP)

CYCLE COURSE	Washing										Rinse								Spin		A U T O F F E N D O F F	Normal Working Time (Hour:Minute)									
	Pre		Main				Normal				Rinse +				Drum	Spin	D-T														
	W	S	W	Washing	Shaycooling	1	2	3	4	W	Rinsing	Drum	W	Rinsing				Drum													
	1	2	3	4	5	6	7	8	9	10	11	12	13	14	15	16	17	18	19	20			21	22	23	24	25	26	27	28	29
Time (sec)	120	60	90	240	120	42	60	60	60	240	120	300	90	240	120	300	60	340	120	340	60	240	120	300	60	480	120	25	20		
Cotton	-		-				-				-				-		-		-		-		-		-		-		-		About 2:35(2:34)
Synthetic	-		-				-				-				-		-		-		-		-		-		-		-		About 1:24
Delicate	-		-				-				-				-		-		-		-		-		-		-		-		About 58
Wool	-		-				-				-				-		-		-		-		-		-		-		-		About 58
Handwash	-		-				-				-				-		-		-		-		-		-		-		-		About 57
Quick 30	-		-				-				-				-		-		-		-		-		-		-		-		About 30
Rinse + Spin	-		-				-				-				-		-		-		-		-		-		-		-		About 20
Drain	-		-				-				-				-		-		-		-		-		-		-		-		About 1

- Basic Cycle
- Optional Cycle
- \* Pre-Setting Time : Water Supply - 120 sec. Drain - 60 sec.
- \* Basic time is minute in washing chart
- \* The actual program time can be varied with the load amount, water temperature or ambient temperature
- \* - Time for varies as the temperature or the amount of laundry

- ☛ Pre Wash : If the laundry is heavily soiled, "Pre Wash" course is effective. Pre Wash is available in Cotton and Synthetic Program.
- ☛ Eco : By selecting Eco function, the water temperature is reduced and washing time is lengthened. So you can economize in your consumption of energy.
- ☛ Rinse+ : If you wish to rinse more, the Rinse+ function will remove any trace of detergents.
- ☛ Bio : If you want to eliminate protein stains (milk, blood, chocolate...), you may select Bio function by pressing the option button.
- ☛ Quick 30 : By selecting this function, you may wash a small quantity of colored laundry which is lightly soiled fast.
- ☛ You can select Bio function and Eco function when temperature is higher than 60°C in Cotton and Synthetic. If the function is selected, the beginning water temperature can not be changed.

# 7. TROUBLESHOOTING

## 7-1.BEFORE PERFORMING SERVICE

- Be careful of electric shock or disconnecting the parts while trouble shooting.
- Voltage of each terminal in 220-240V and DC while applying an electric current.

## 7-2.QC TEST MODE.

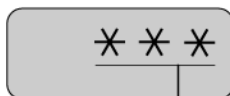
- ① Pressing **Option (Bio, Rinse+)** and **Option (Crease Care/Pre Wash)** button simultaneously.
- ② Power button ON with pressing upper two button. then buzzer sound twice.
- ③ Press the START/PAUSE button as follows.

[Press the START/PAUSE button more 4 times until stop spinning]

Pressing number of [START/PAUSE] button	Checking Point	Display Status
None	All lamps turn on	: WD-1018(0~9)SUP/WD-10302SUP
		: WD-8018(0~9)SUP/WD-6518(0~9)SUP WD-80302SUP/WD-65302SUP
		: WD-1018(0~9)NUP/WD-10302NUP
		: WD-8018(0~9)NUP/WD-6518(0~9)NUP WD-80302NUP/WD-65302NUP
		: WD-1018(0~9)TUP/WD-10302TUP
		: WD-8018(0~9)TUP/WD-6518(0~9)TUP WD-80302TUP/WD-65302TUP
1 time	Counterclockwise spin (left)	Motor rpm (About 50)
2 times	Low speed Spin	Motor rpm (About 58~62)
3 times	High speed Spin	Motor rpm (About 79~85) : WD(M)-6518(0~9)S(N)(T)UP
		Motor rpm (About 79~85) : WD(M)-8018(0~9)S(N)(T)UP
		Motor rpm (About 95~106) : WD(M)-1018(0~9)S(N)(T)UP
4 times	Inlet valve for pre-wash operation	Water level frequency (225~265)
5 times	Inlet valve for main-wash operation	Water level frequency (225~265)
	Hot inlet valve in case of hot water fill	
6 times	Inlet valve for main-wash operation	Water level frequency (225~265)
7 times	Clockwise spin (right)	Motor rpm (About 50)
8 times	A Heater is in operation for 3 sec.	Water Temperature
9 times	Draining pump operation	Water level frequency
10 times	Auto off operation	

## 7-3.HOW TO KNOW THE WATER LEVEL FREQUENCY

\* Press the **Option (Crease Care/Pre Wash)** and **Time delay** button simultaneously.










● The digits means water level frequency ( $10^{-1}$  kHz)

ex) 241 : Water level frequency =  $241 \times 10^{-1}$ kHz  
=24.1kHz

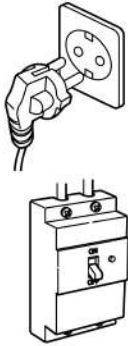






## 7-4.ERROR DISPLAY.

- If you press the [Start/Pause] button any error except *PE* will disappear and the machine will change into pause status.
- In case of 『*PE*』, 『*LE*』, 『*DE*』, if the error is not resolved within 15 sec. In case of other errors, if the error is not resolved within 4 min. Power will be turned off automatically and the error only will be blinked. But in the case of 『*FE*』, power will not be turned off.







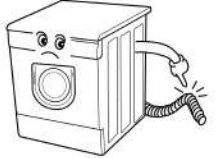
	ERROR	SYMPTOM	CAUSE
1	WATER INLET ERROR		<ul style="list-style-type: none"> <li>○ Water has not reached to the pre-set level within 4 min. since inlet valve operated, or water has not reached to the normal level within 25 min.</li> </ul>
2	IMBALANCE ERROR		<ul style="list-style-type: none"> <li>○ The appliance is tilted.</li> <li>○ Laundry is gathered to one side.</li> <li>○ Non distributable things are put into the drum.</li> </ul>
3	DRAIN ERROR		<ul style="list-style-type: none"> <li>○ Water has not drained enough within 8 min.</li> </ul>
4	OVERFLOW ERROR		<ul style="list-style-type: none"> <li>○ Water is automatically being pumped out because too much water is in the tub.</li> </ul>
5	SENSOR PRESSURE S/W ERROR		<ul style="list-style-type: none"> <li>○ The sensor pressure switch is out of order.</li> </ul>
6	DOOR OPEN ERROR		<ul style="list-style-type: none"> <li>○ The [Start/Pause] button is pressed with the door open.</li> <li>○ The door switch is out of order.</li> </ul>
7	HEATING ERROR		<ul style="list-style-type: none"> <li>○ The thermistor is out of order.</li> </ul>

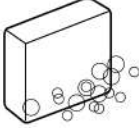
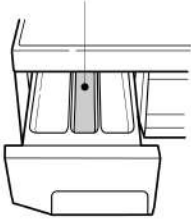

# 8. ERROR DIAGNOSIS AND CHECK LIST

## 8-1. DIAGNOSIS AND ANSWER FOR ABNORMAL OPERATION

SYMPTOM	GUIDE FOR SERVICE CALL	
<p>NO POWER</p>	<p>Is the power plug connected firmly to 220-240V~ outlet?</p> <p style="text-align: center;">↓ YES ↓</p> <p>Power failure? or Breaker opened? Is the outlet controlled by a switch.</p> <p style="text-align: center;">↓ NO ↓</p> <p style="text-align: center;">Visit to check</p>	
<p>Water inlet trouble</p> 	<p>Is IE displayed?</p> <p style="text-align: center;">↓ YES ↓</p> <p>Is the tap opened?</p> <p style="text-align: center;">↓ YES ↓</p> <p>Is the tap frozen?</p> <p style="text-align: center;">↓ NO ↓</p> <p>Is the water supply shut-off?</p> <p style="text-align: center;">↓ NO ↓</p> <p>Is filter in the inlet valve clogged with foreign material?</p> <p style="text-align: center;">↓ NO ↓</p> <p style="text-align: center;">Visit to check</p>	    <p style="text-align: right;">Clean the filter of inlet valve</p> 



SYMPTOM	GUIDE FOR SERVICE CALL
<p>◦ DOOR OPEN ERROR</p> <p>Refer to 7-4 ERROR DISPLAY</p> 	<div style="display: flex; justify-content: space-between;"> <div style="width: 60%;"> <p>Did you press the <b>Start/Pause</b> button when the door is open?</p> <p style="text-align: center;">NO</p> <p style="text-align: center;">Visit to check</p> <p style="text-align: center;"><b>Check if the door switch is O.K</b></p> </div> <div style="width: 35%;"> <p>YES</p> <p>Close the door</p>   </div> </div>
<p>◦ Drain Trouble</p> 	<div style="display: flex; justify-content: space-between;"> <div style="width: 60%;"> <p>Is <b>dE</b> displayed?</p> <p style="text-align: center;">YES</p> <p>Is the debris filter clogged with foreign material such as pins, coins, etc.?</p> <p style="text-align: center;">NO</p> <p>Is the drain hose frozen with water, kinked, or crushed?</p> <p style="text-align: center;">NO</p> <p style="text-align: center;">Visit to check</p> </div> <div style="width: 35%;">  <p>YES</p> <p>Clean up the filter.</p>   </div> </div>

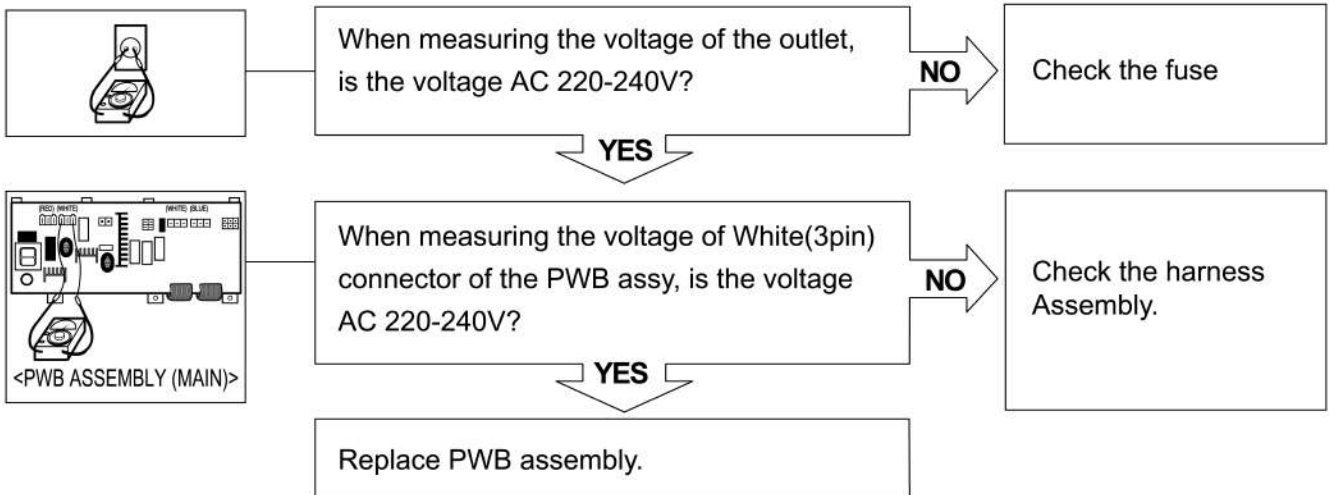
SYMPTOM	GUIDE FOR SERVICE CALL
<p>◦ Suds overflow from the appliance. (In this condition, wash and spin do not operate normally)</p>	<div style="display: flex; justify-content: space-between;"> <div style="width: 60%;"> <p>Is low-sudsing detergent for the drum washing machine used?</p> <p style="text-align: center;">↓ YES ↓</p> <p>Is the proper amount of detergent used as recommended?</p> <p style="text-align: center;">↓ YES ↓</p> <p>Recommend to reduce the amount of detergent.</p> <ul style="list-style-type: none"> <li>* This appliance has the automatic suds sensing function which operates under much suds condition for good rinse and preventing overflow.</li> <li>* When much suds are sensed, the suds removing function such as drain, water input, and pause will operate without rotating the drum.</li> </ul> </div> <div style="width: 35%; text-align: center;">  <p><b>LOW SUDSING DETERGENT</b></p> </div> </div>
<p>◦ No effect of softener</p>	<div style="display: flex; justify-content: space-between;"> <div style="width: 60%;"> <p>Is softener put in the correct compartment of drawer?</p> <p style="text-align: center;">↓ YES ↓</p> <p>Is the drawer closed during wash?</p> <p style="text-align: center;">↓ YES ↓</p> <p>Is the softener cap clogged?</p> <p style="text-align: center;">↓ YES ↓</p> <p>Explain how to use softener</p> <p><b>Clean the compartment for softener</b></p> </div> <div style="width: 35%; text-align: center;"> <p>Compartment for softener</p>  </div> </div>
	<p style="text-align: center;">Visit to check</p>

## 8-2.FAULT DIAGNOSIS AND TROUBLESHOOTING

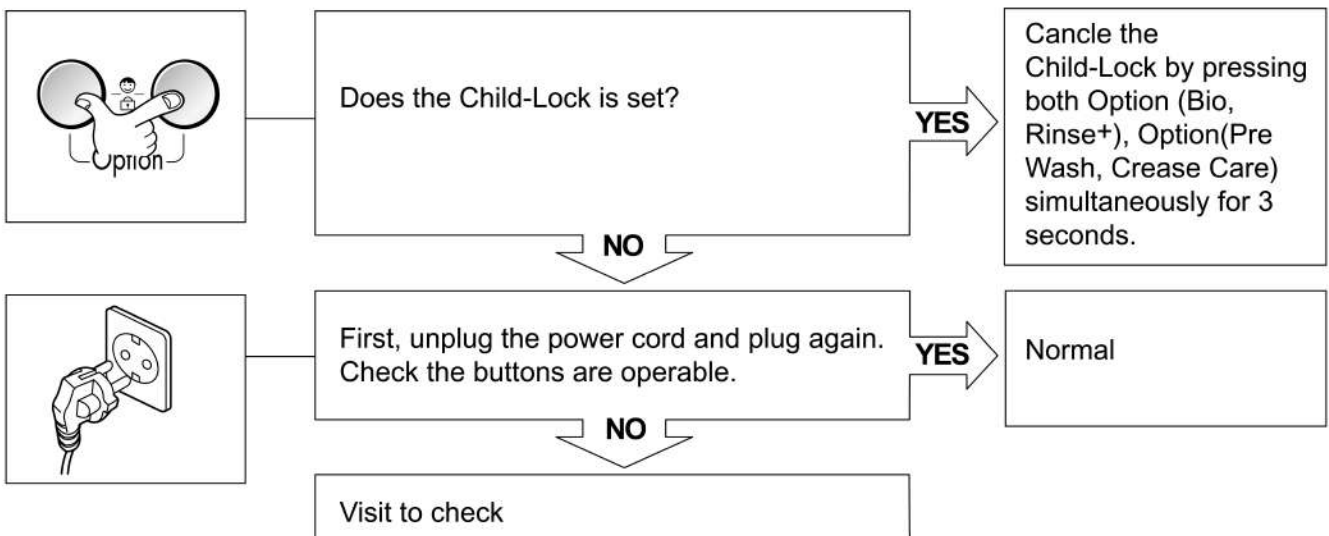
### CAUTION

1. Be careful of electric shock or disconnecting the parts while troubleshooting.
2. First of all, check the connection of each part terminal with wiring diagram.
3. If you replace the PWB assembly (Main), put in the connectors correctly.

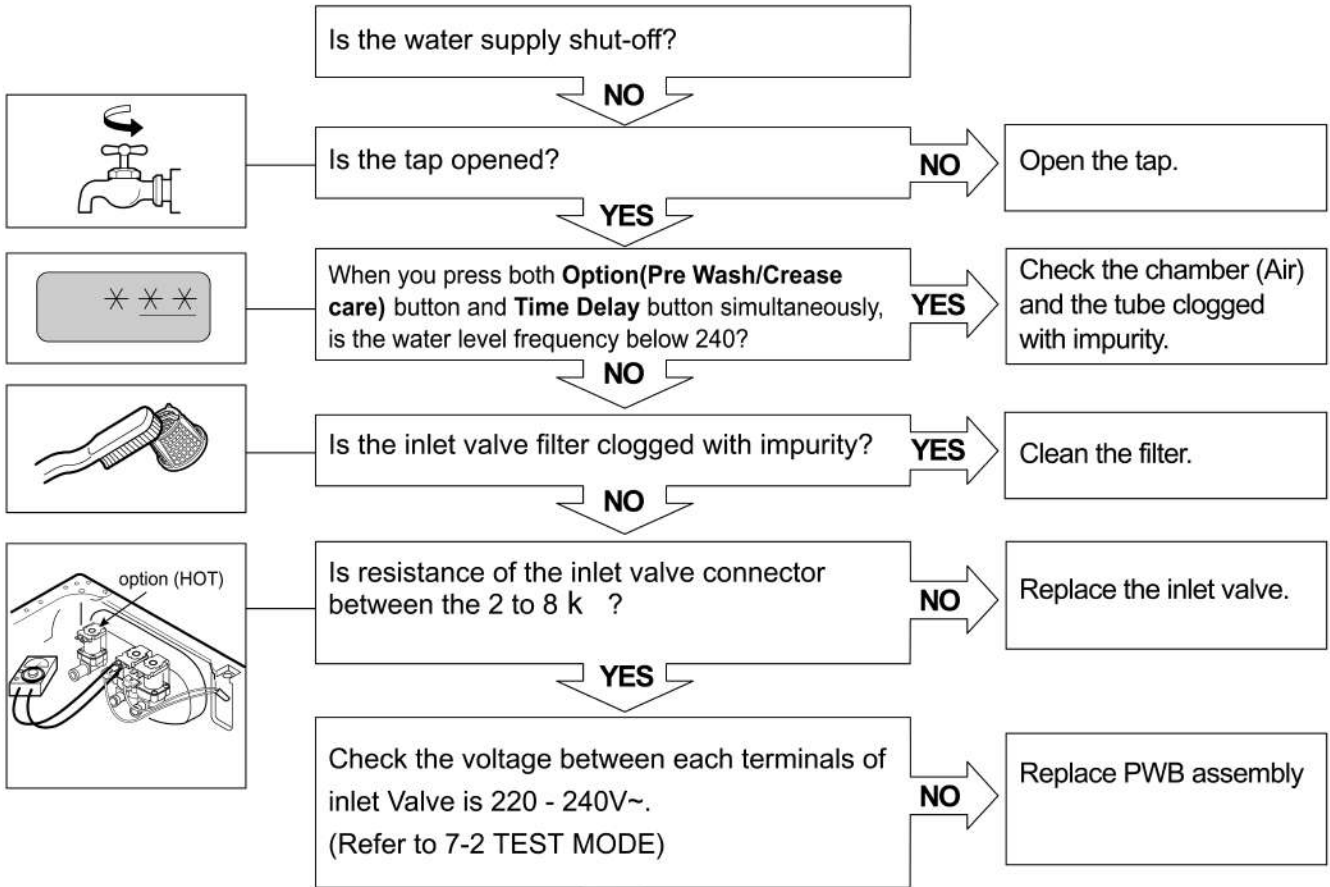
### NO POWER



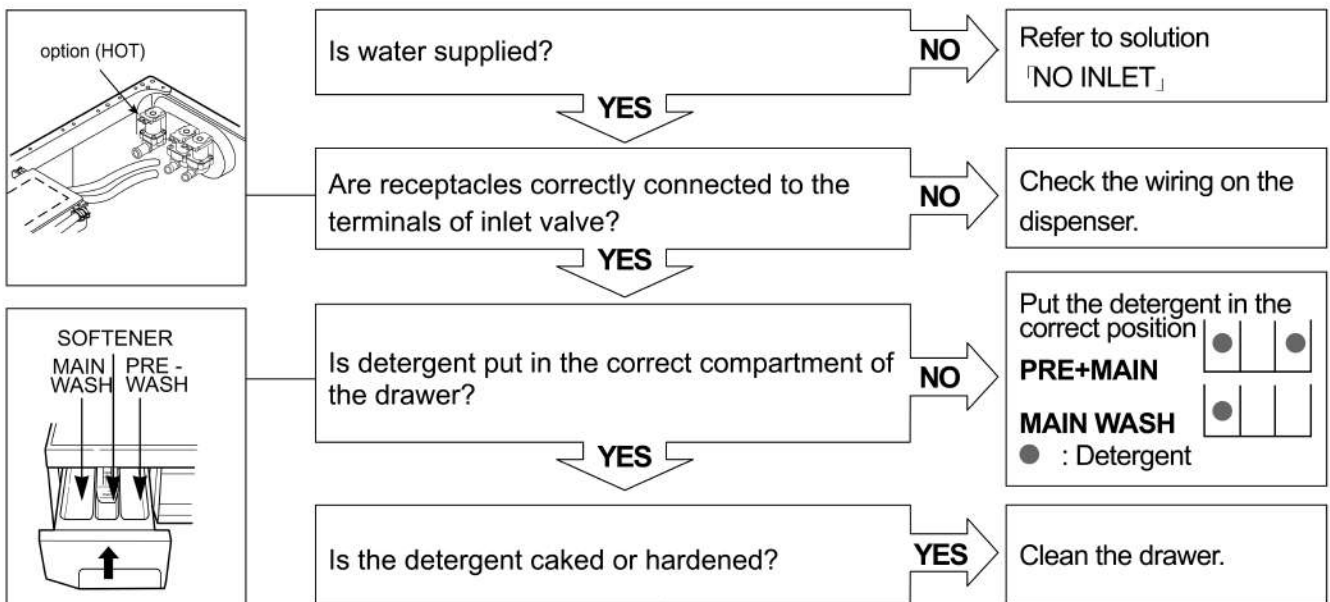
### ALL BUTTONS ARE INOPERABLE EXCEPT POWER BUTTON



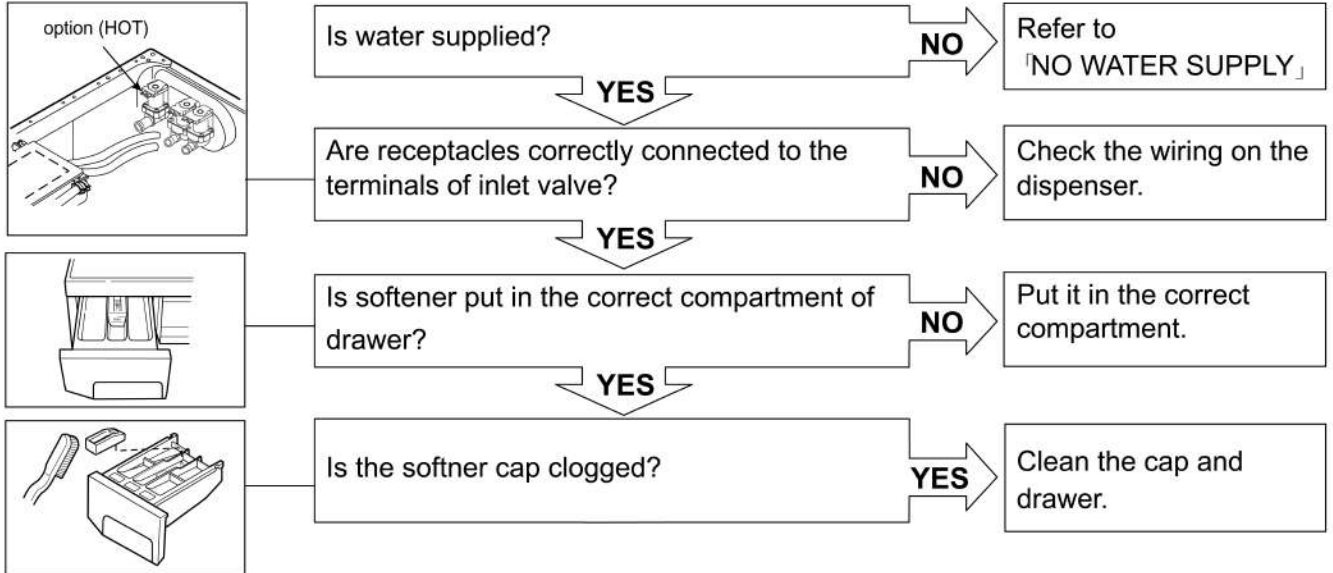
## NO WATER SUPPLY



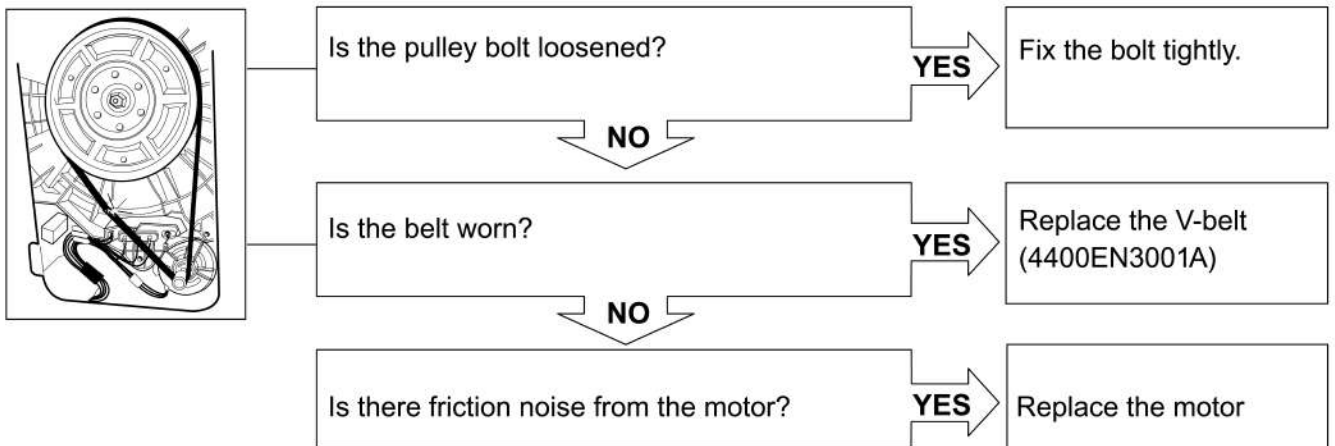
## DETERGENT DOES NOT FLOW IN



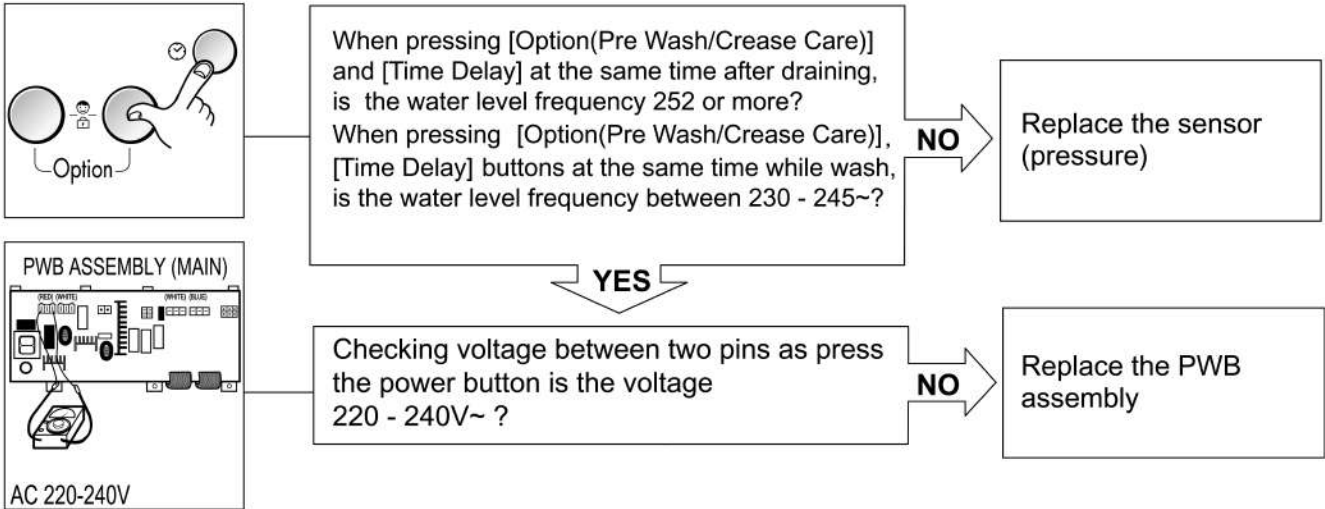
## SOFTENER DOES NOT FLOW IN



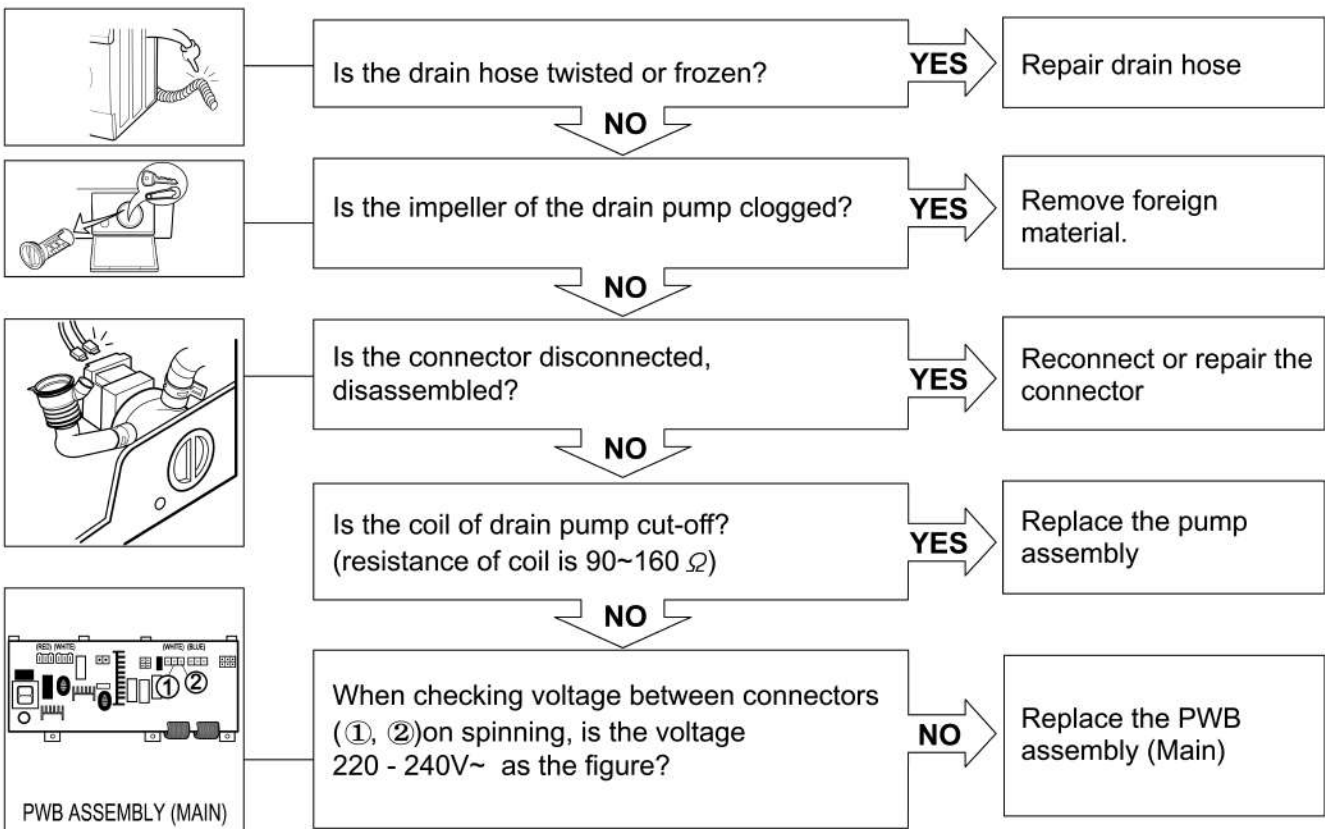
## ABNORMAL SOUND



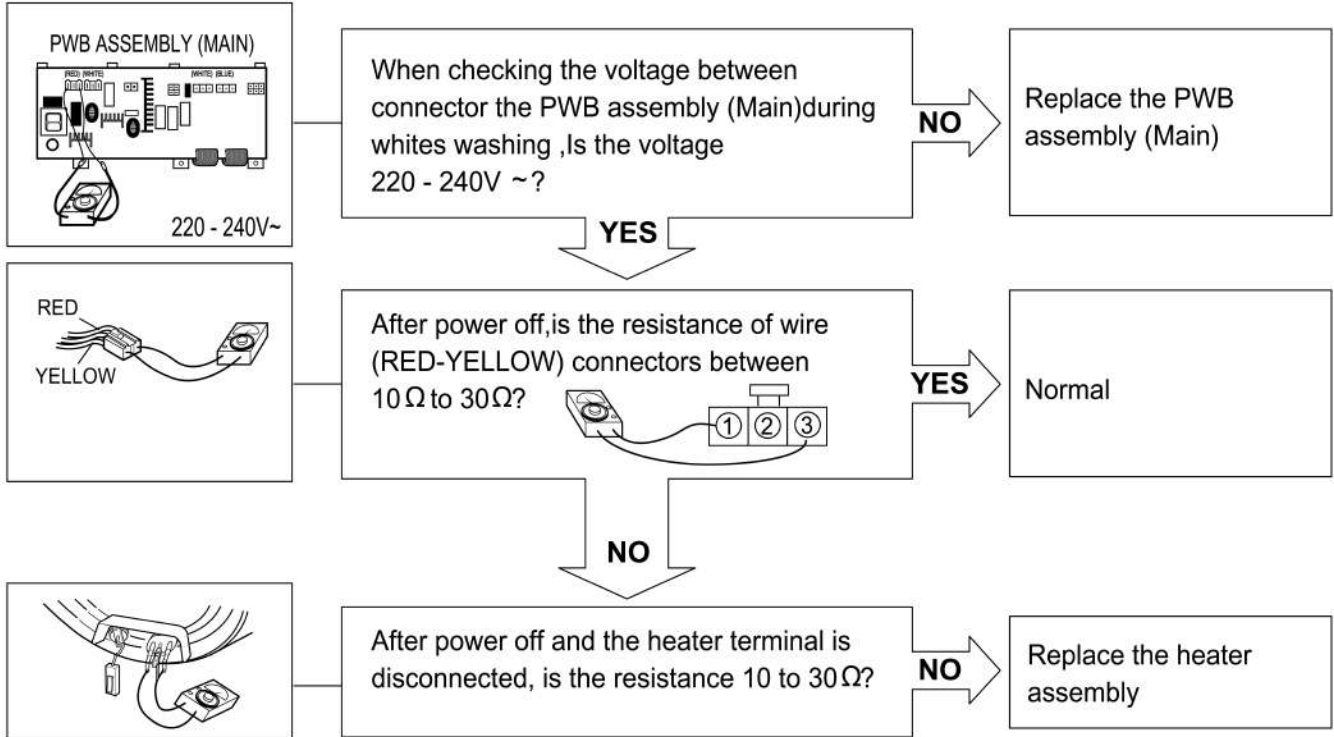
## HEATING WITHOUT WATER



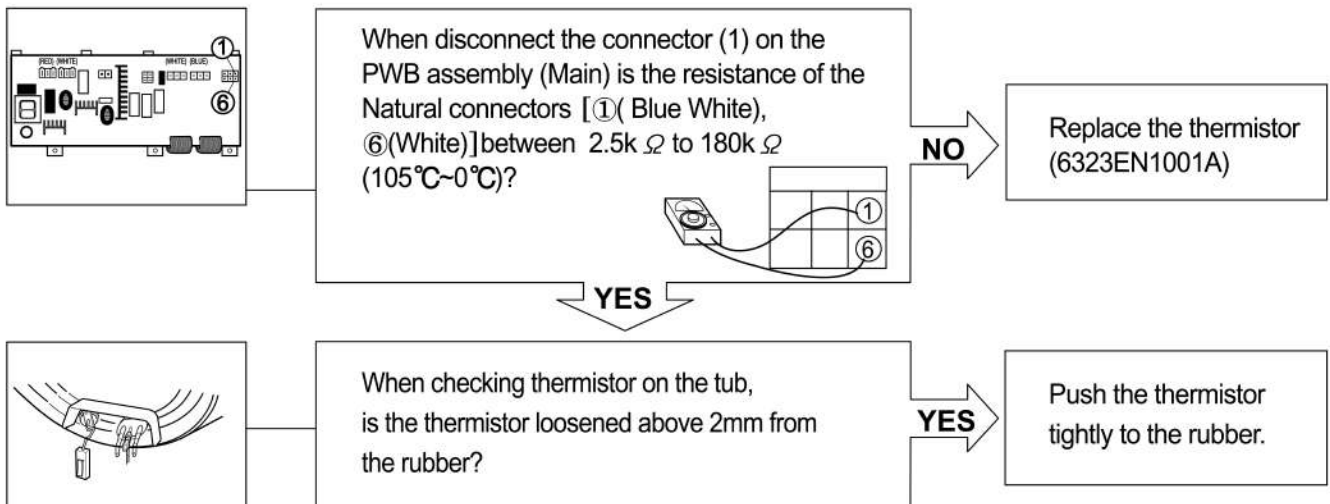
## DRAIN MALFUNCTIONING



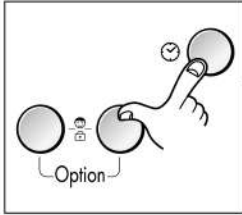
## WASH HEATER TROUBLE



## HEATING CONTINUOUSLY ABOVE THE SETTING WATER TEMPERATURE



## SPIN TROUBLE

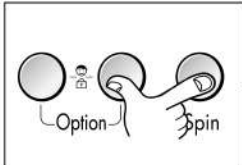


Check on the spinning, is the frequency of the water level 248 or more. The frequency can be checked by pressing the **Option(Pre Wash/Crease Care)** and **Time Delay** buttons at the same time on the program.

**NO**

Check the sensor (Pressure) or hose (Sensor).  
If the problem is on the sensor or the hose, replace the sensor or the hose.

**YES**

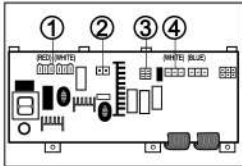


When pressing **Option(Pre Wash/Crease Care)**, **Spin**, and **POWER** buttons at the same time after power off, press the **START/PAUSE** button 2 times, is the drum low speed spin?

**YES**

Normal

**NO**

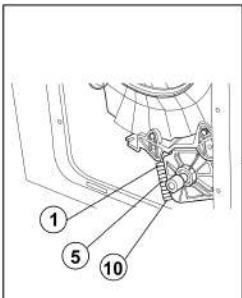


Is it disconnected, or disassembled?  
[Red:3pin (①), White : 2pin(②), National:4pin(③), White:3pin(④)]

**YES**

Correct the connector.

**NO**



Check the motor connector, Is the resistance between the terminal in figure the same as below?

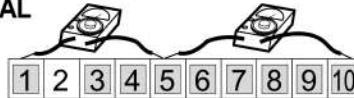
Resistance between terminals

① ~ ⑤ : 0.5~1.0

⑤ ~ ⑩ : 1.5~2.5

Be sure to unplug the machine before measuring.

**MOTOR TERMINAL**



**NO**

Replace the motor assembly.

**YES**

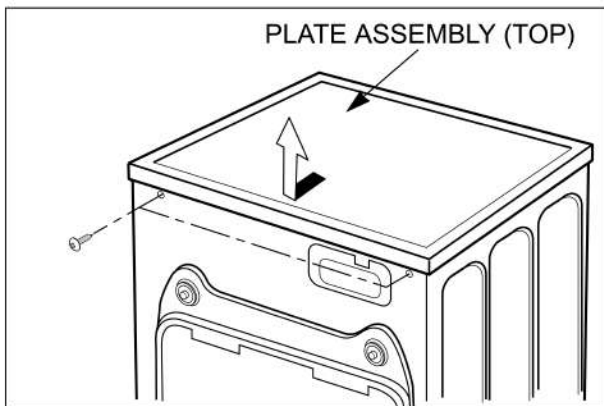
Replace the PWB assembly.



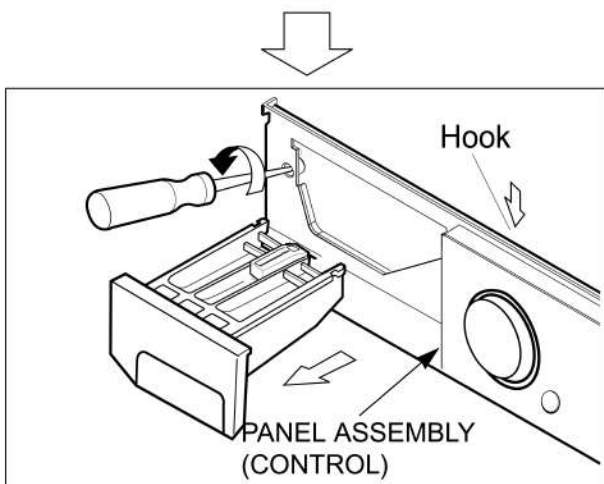
# 9. DISASSEMBLY INSTRUCTIONS

\* Be sure to unplug the machine out of the outlet before disassembling and repairing the parts.

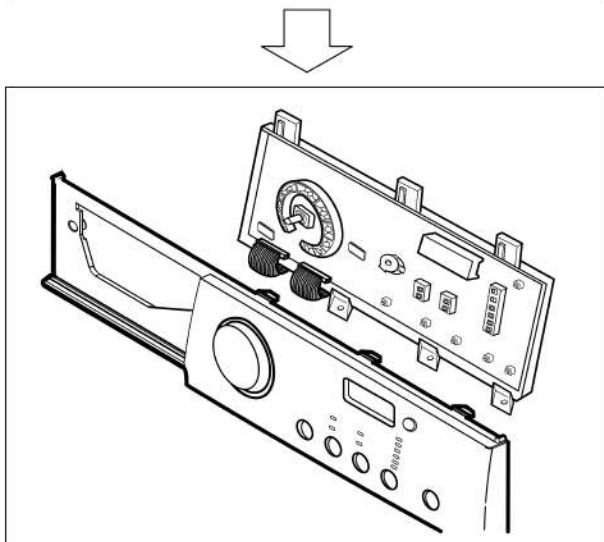
## CONTROL PANEL



- ① Unscrew 2 screws on the back of the top plate.
- ② Pull the top plate backward and upward as shown.

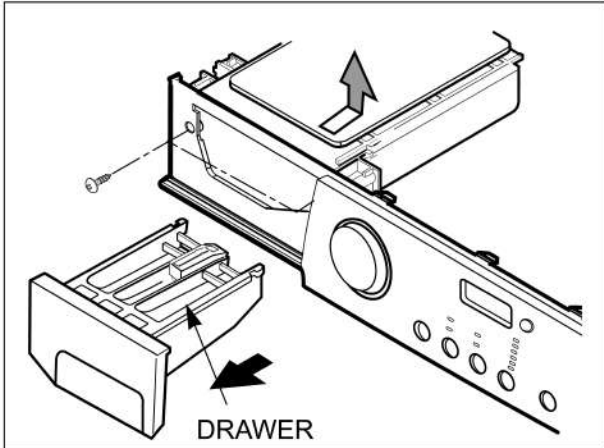


- ① Disconnect the PWB Assembly connector from Main lead wire Assembly.
- ② Pull out the drawer and unscrew 2 screws.
- ③ Push upper hooks down on the top and pull the control panel.

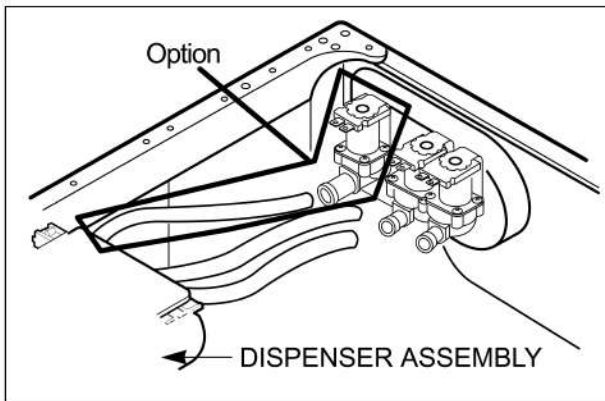


- ① Disconnect the PWB assembly (Main & Display) from the control panel by unscrew 3 screws.

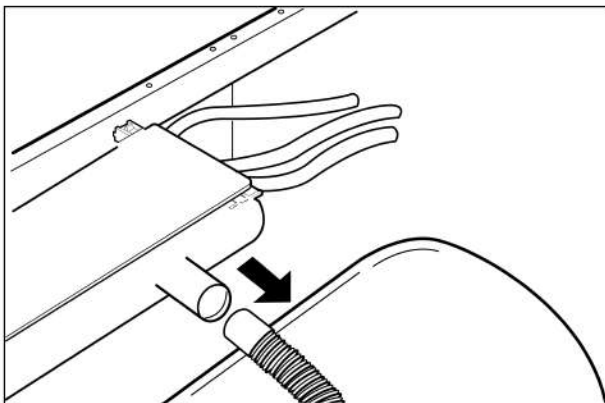
## DISPENSER ASSEMBLY



- ① Disassemble the top plate assembly.
- ② Pull out the drawer to arrow direction.
- ③ Unscrew 2 screws.

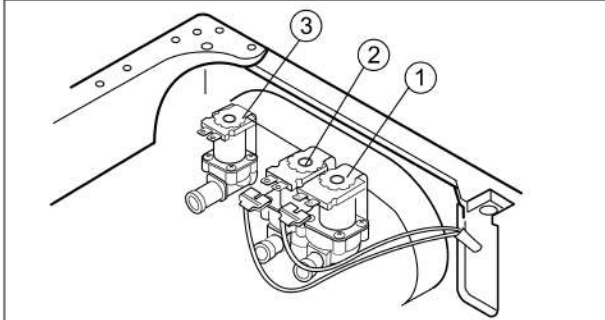


- ① The hose clamps and the hose are disassembled.



- ① The ventilation bellows and the water inlet bellows are disassembled on the tub.

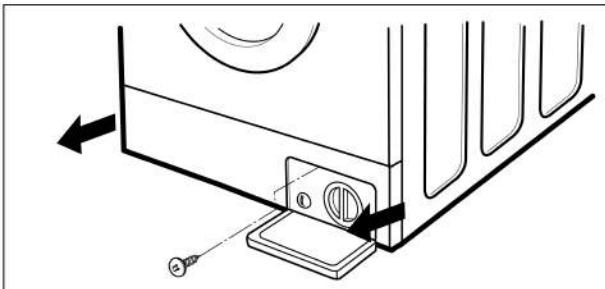
## INLET VALVE



- ① Disconnect the wiring receptacle.
  - ② Unscrew 2 screws from the back.
- ※When reconnecting the connector

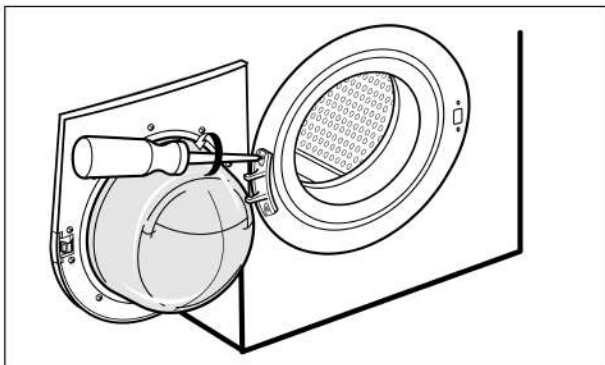
VALVE #1 (MAIN)	White/Black-Black
VALVE #2 (PRE)	Gray-White/Black
VALVE #3 (HOT)	Blue/Red - Black

## LOWER COVER



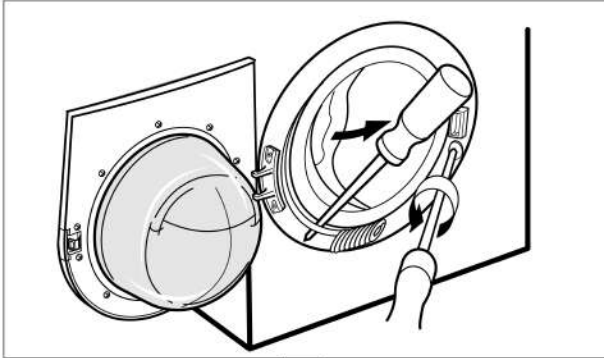
- Open the lower cover cap by using coin and pull out the lower cover in the arrow direction after a screw is unscrewed.

## DOOR

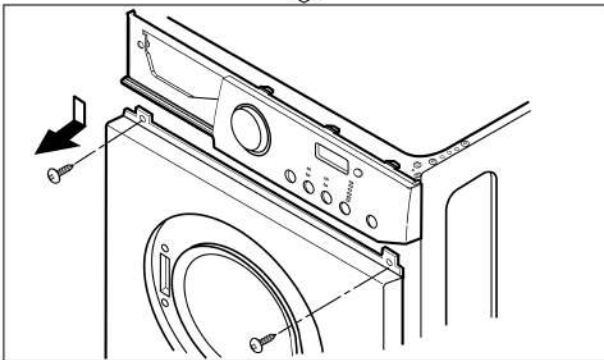


- ① Open the door completely.
  - ② Remove the two screws from the hinge.
- ※When removing the door assembly, it is necessary to hold the bracket that is inner of the cabinet cover.

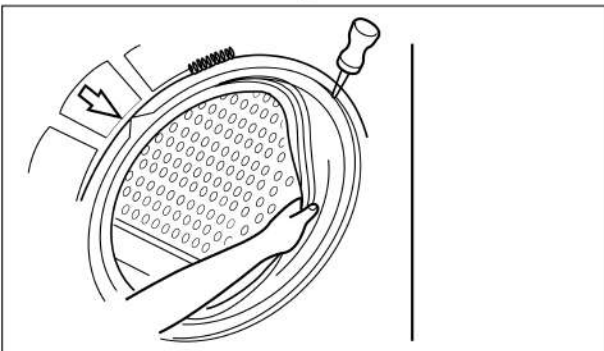
## GASKET ASSEMBLY



- ① Take apart the cabinet gasket clamp.
- ② Unscrew 2 screws from the cabinet cover.
- ③ Open the lower cover cap and unscrew 1 screw inside.
- ④ Take apart the lower cover.

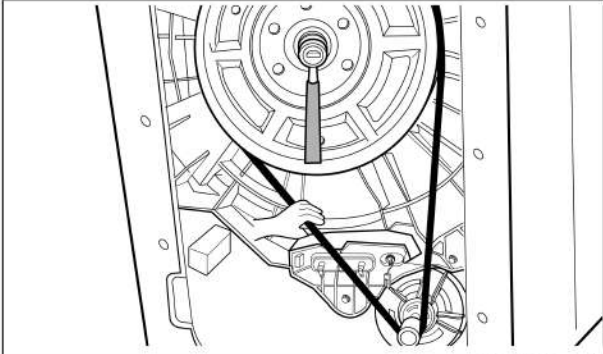


- ① Disassemble the control panel. (refer to the 25page)
- ② Unscrew all the screws on the upper and lower sides of the cabinet cover.



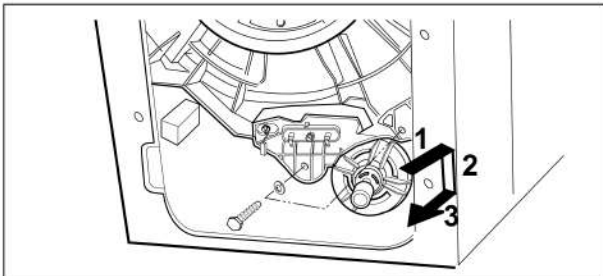
- ① Take apart the tub gasket clamp.
  - ② Make sure that the drain hole of the gasket is put beneath when reassembling the gasket.
- ※Refer to the arrow mark on the tub cover.

## PULLEY, MOTOR, DAMPER



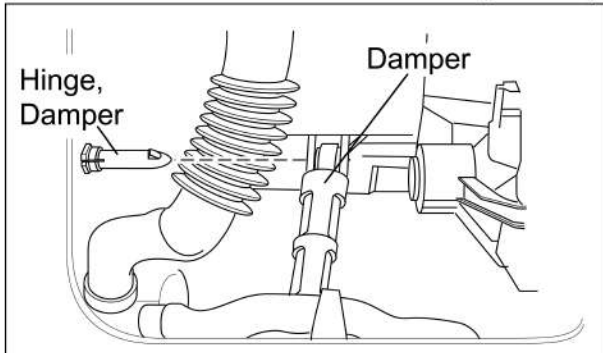
(PULLEY)

- ① Remove the back cover.
- ② Take off the belt turning the pulley.
- ③ Unscrew the bolt to pull out the pulley.



(MOTOR)

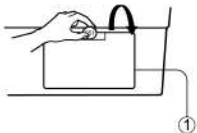
- ① Unscrew 2 screws from the bracket.
- ② Push the motor in the arrow direction for disassembling.
- ③ When reassembling the motor, make sure that motor mounting bushings are not taken off from the bracket.



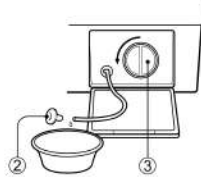
(DAMPER)

- ① Pull out the hinge, pressing its snap.
- ② Do not use the pulled out hinge again. It may be taken off during operation.

## ■ Clean the drain pump filter



Open the lower cover cap (①) by using a coin. Turn the drain plug (②) to pull out the hose.

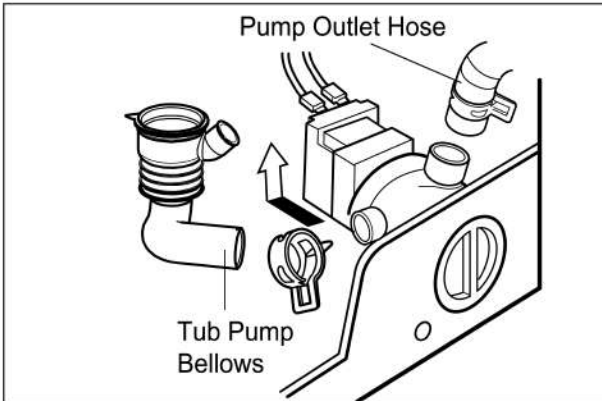


Unplug the drain plug (②), then the water flows out. At this time use a vessel to prevent water flowing on the floor. If the water does not flow any more, turn the pump filter (③) open to the left.



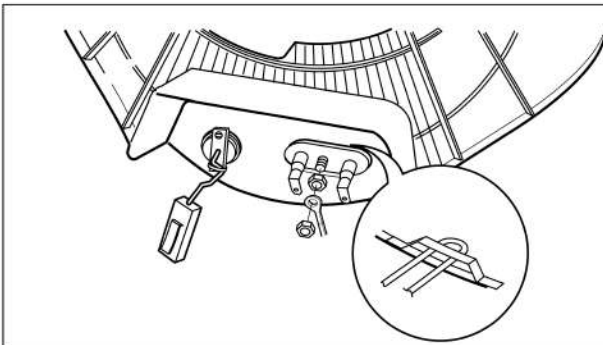
Take out any foreign material from the pump filter (③). After cleaning, turn the pump filter (③) clockwise and insert the drain plug (②) to the original place. Close the lower cover cap.

## PUMP



- ① Remove pump outlet hose.
- ② Remove tub pump bellows.
- ③ Remove cap (Remaining Hose.)
- ④ Disconnect the wiring.
- ⑤ Unscrew 2 screws.
- ⑥ Remove the pump.

## HEATER

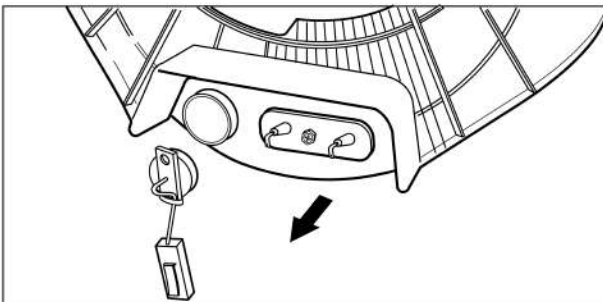


- ① Loosen the M6 heater nut to pull out the heater.

### CAUTION

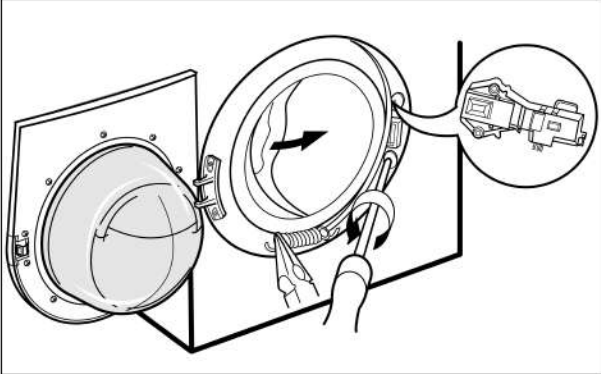
When mounting the heater, be sure to insert the heater into the heater clip on the bottom of the tub.

## THERMISTOR



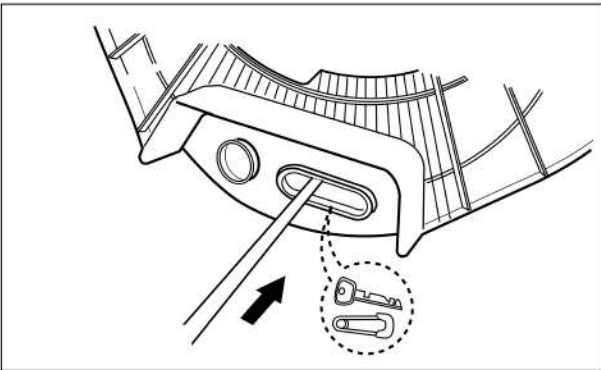
- ① Pull it out by holding the thermistor bracket.
  - \* If it is pulled by the wire, it may be broken.
- ② When mounting the thermistor again, make sure that it is got back tight to the bushing.

## SWITCH ASSEMBLY, DOOR LOCK



- ① Take apart the cabinet cover clamp and release the gasket.
- ② Unscrew 2 screws holding the door lock.
- ③ Disconnect the door lock from the wiring connector.

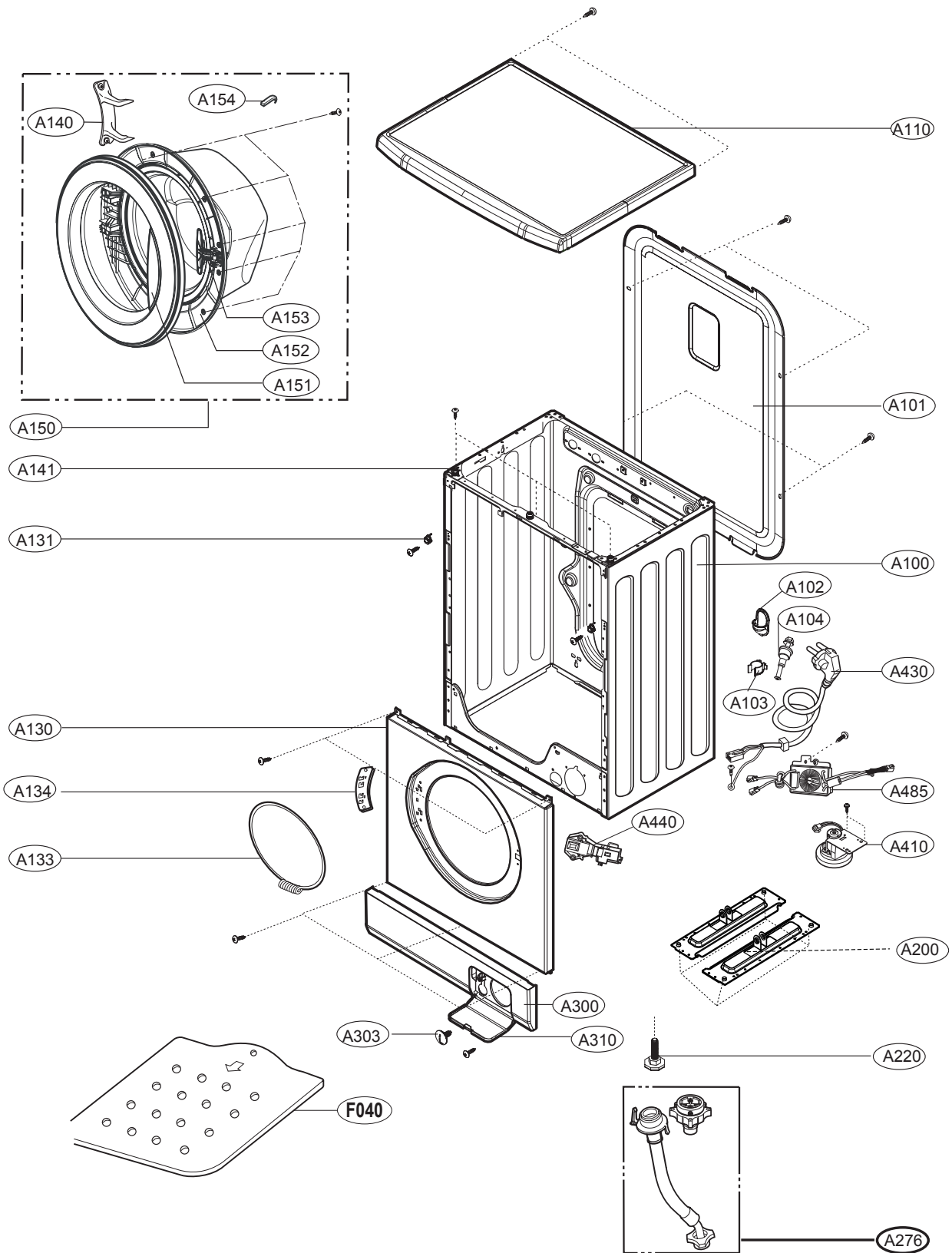
## WHEN FOREIGN MATERIAL IS STUCK BETWEEN DRUM AND TUB



- ① Remove the heater.
- ② Remove the foreign material (wire, coin and others) by inserting a long bar through the hole.

# 10. EXPLODED VIEW

## 10-1. THE EXPLODED VIEW OF CABINET ASSEMBLY





# THE EXPLODED VIEW OF CONTROL PANEL & DISPENSER ASSEMBLY

