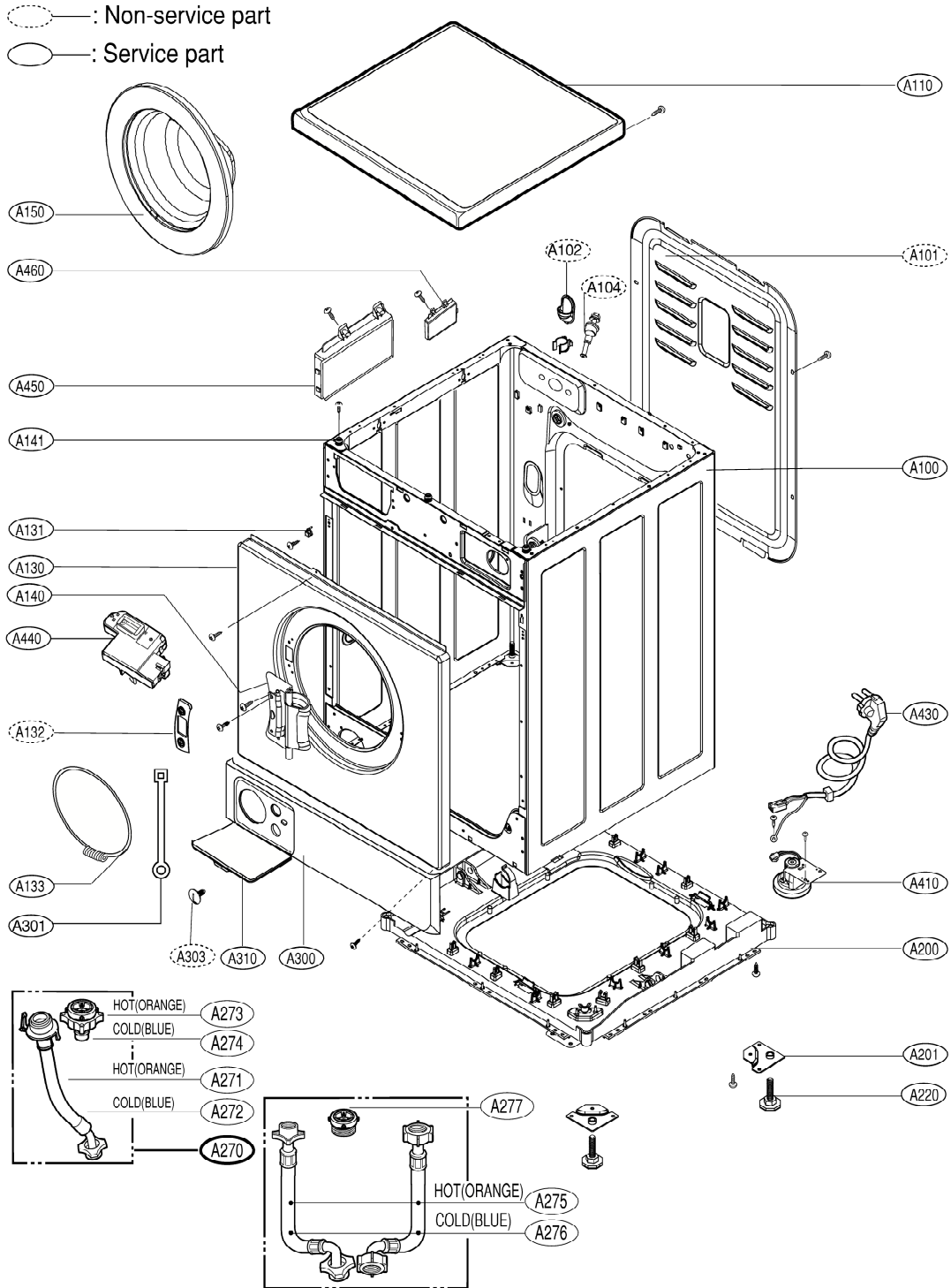
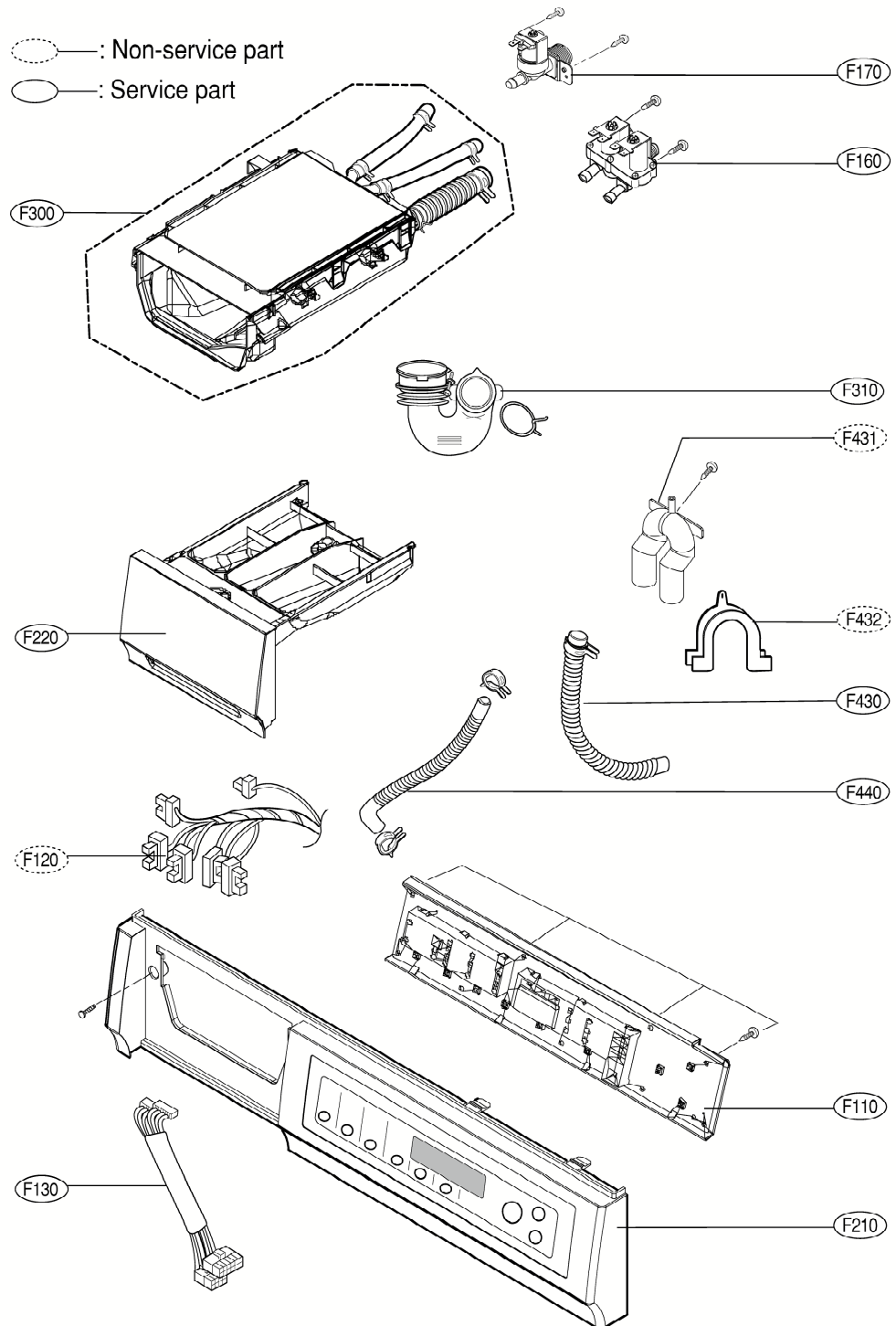


# 11. EXPLODED VIEW

## 11-1. THE EXPLODED VIEW OF CABINET ASSEMBLY



## 11-2 THE EXPLODED VIEW OF CONTROL PANEL & DISPENSER ASSEMBLY



# 11-3 THE EXPLODED VIEW OF DRUM & TUB ASSEMBLY

