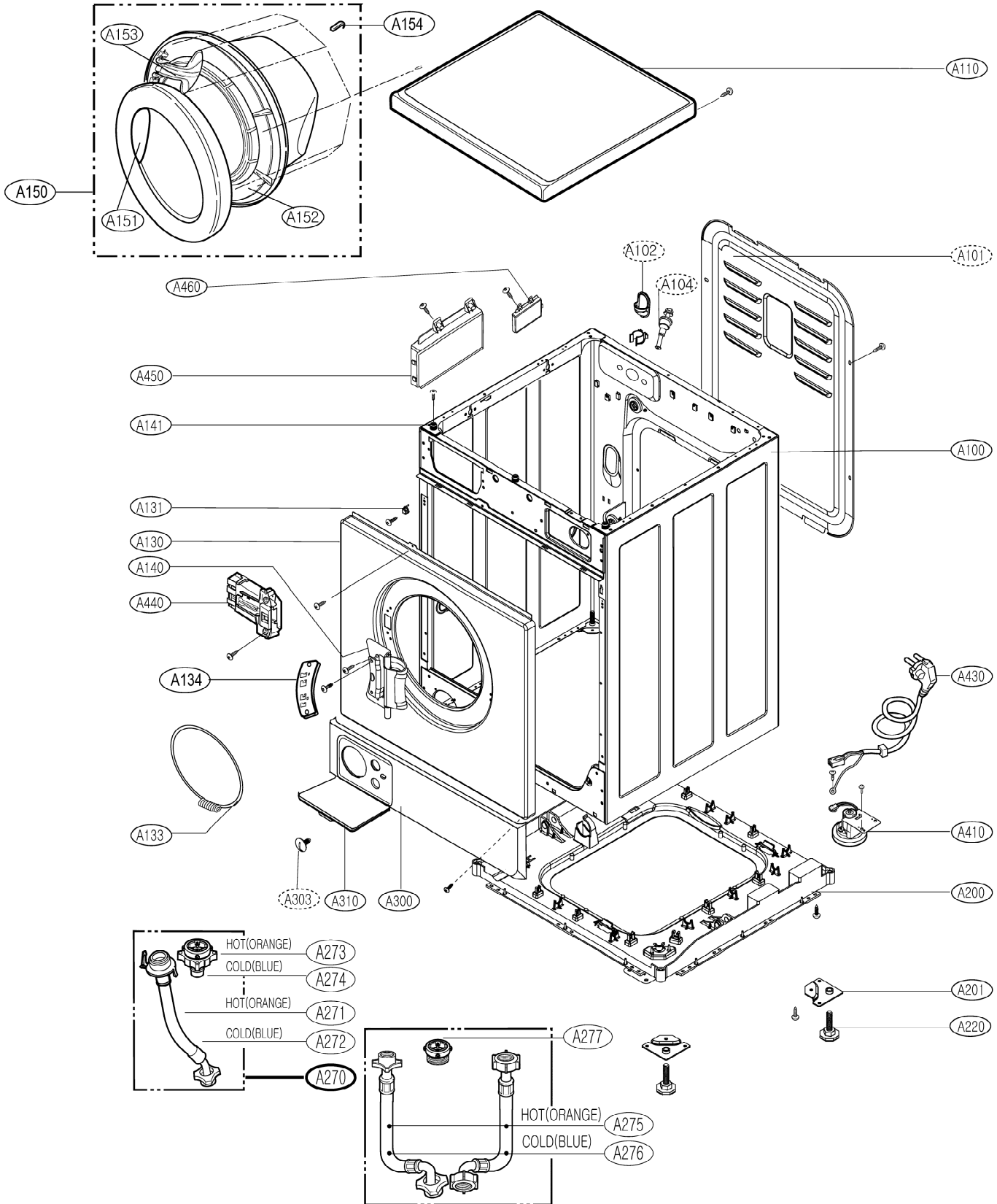


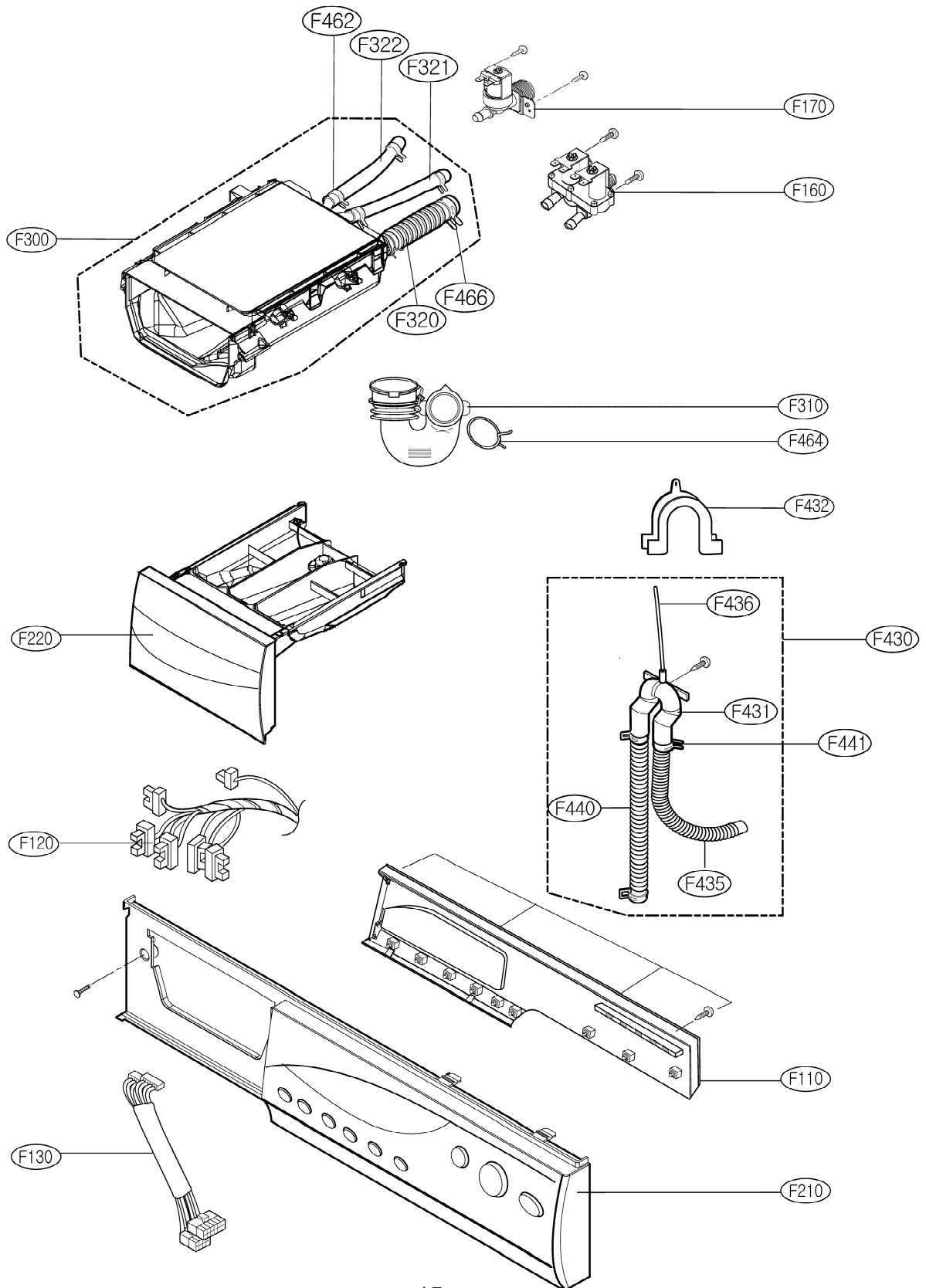
11 EXPLODED VIEW

11-1 THE EXPLODED VIEW OF CABINET ASSEMBLY

■ WD-6550F(B) / WD-8050F(H)(B) / WD-1050(5)F(H)(B)/WD-1253(5)F(H)(B)



11-2 THE EXPLODED VIEW OF CONTROL PANEL & DISPENSER ASSEMBLY



11-3 THE EXPLODED VIEW OF DRUM & TUB ASSEMBLY

■ WD-6550F(B) / WD-1050(5)F(H)(B)/WD-1253(5)F(H)(B) / WD-8050F(H)(B)

