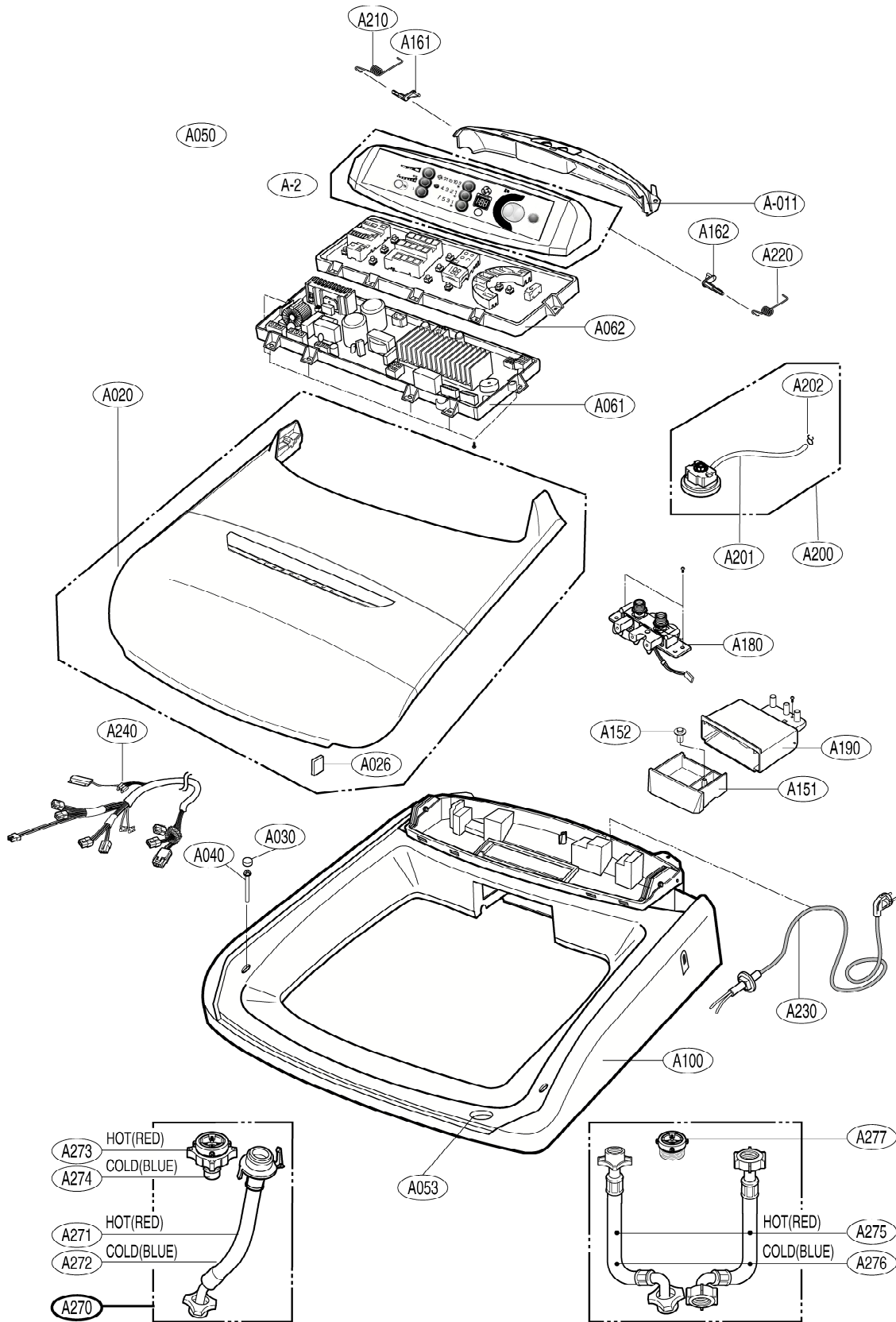
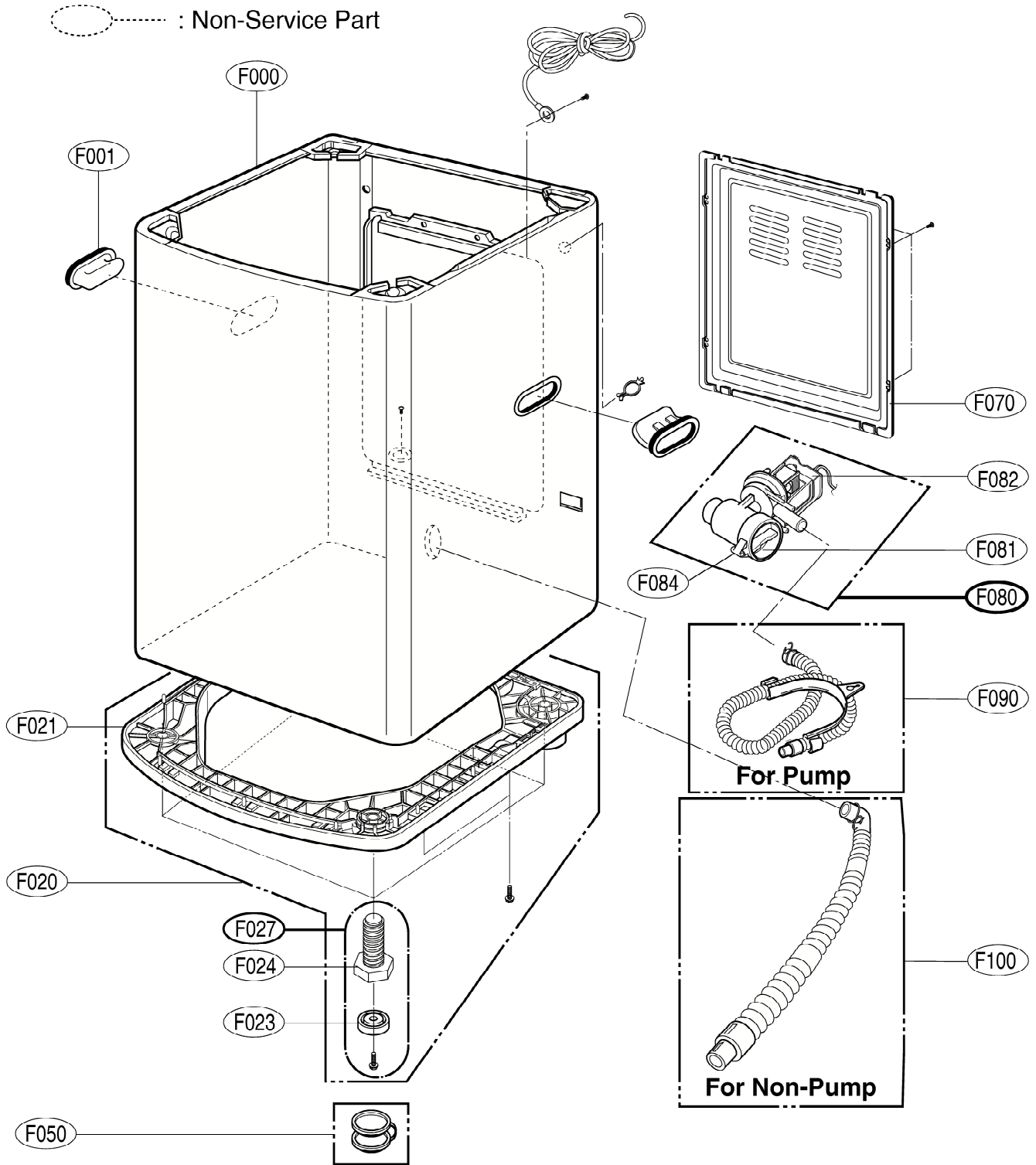


5-1. THE EXPLODED VIEW OF THE BODY-A



5-2. THE EXPLODED VIEW OF THE BODY-B



5-3. THE EXPLODED VIEW OF THE TUB ASSEMBLY

○ : Non-Service Part

