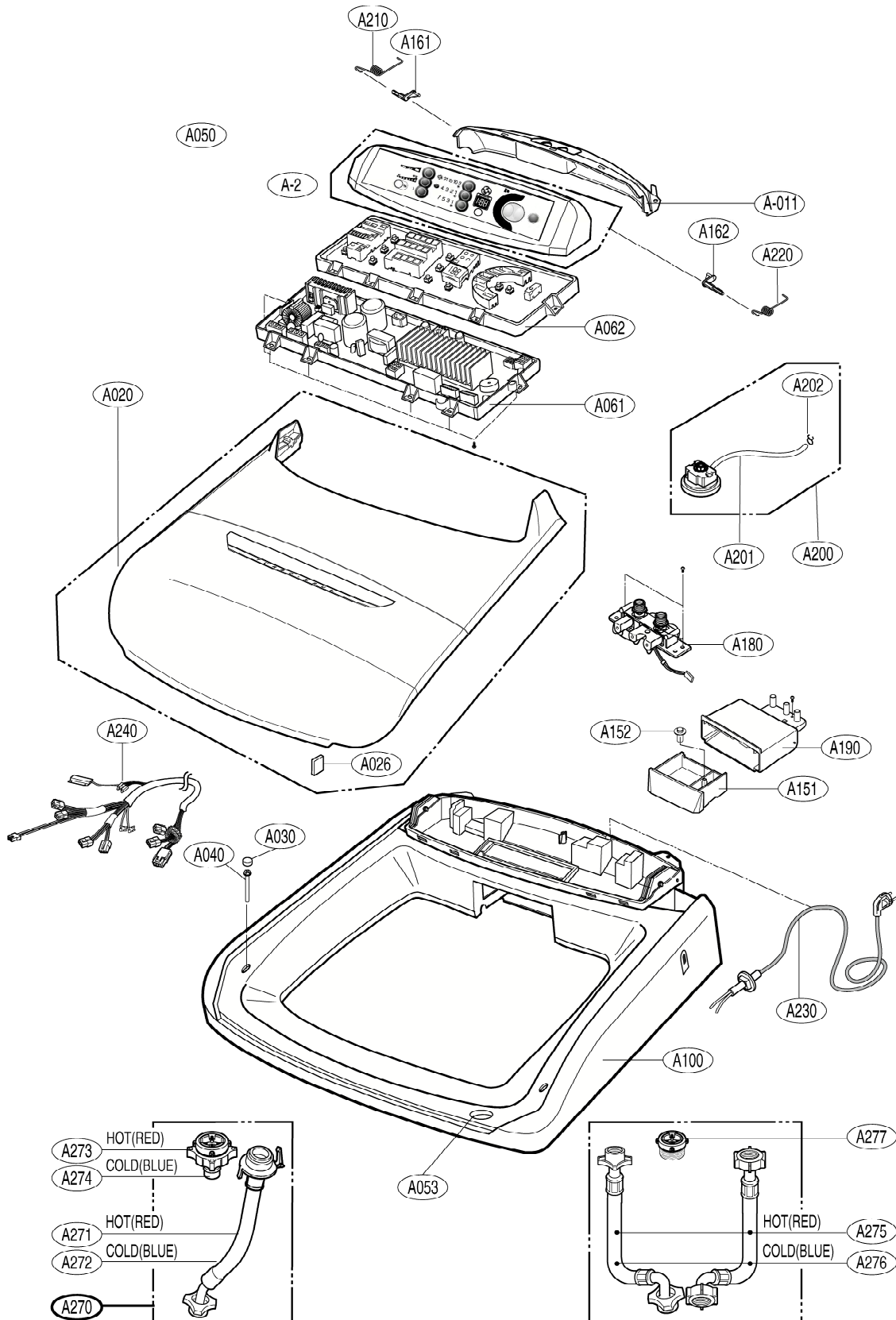
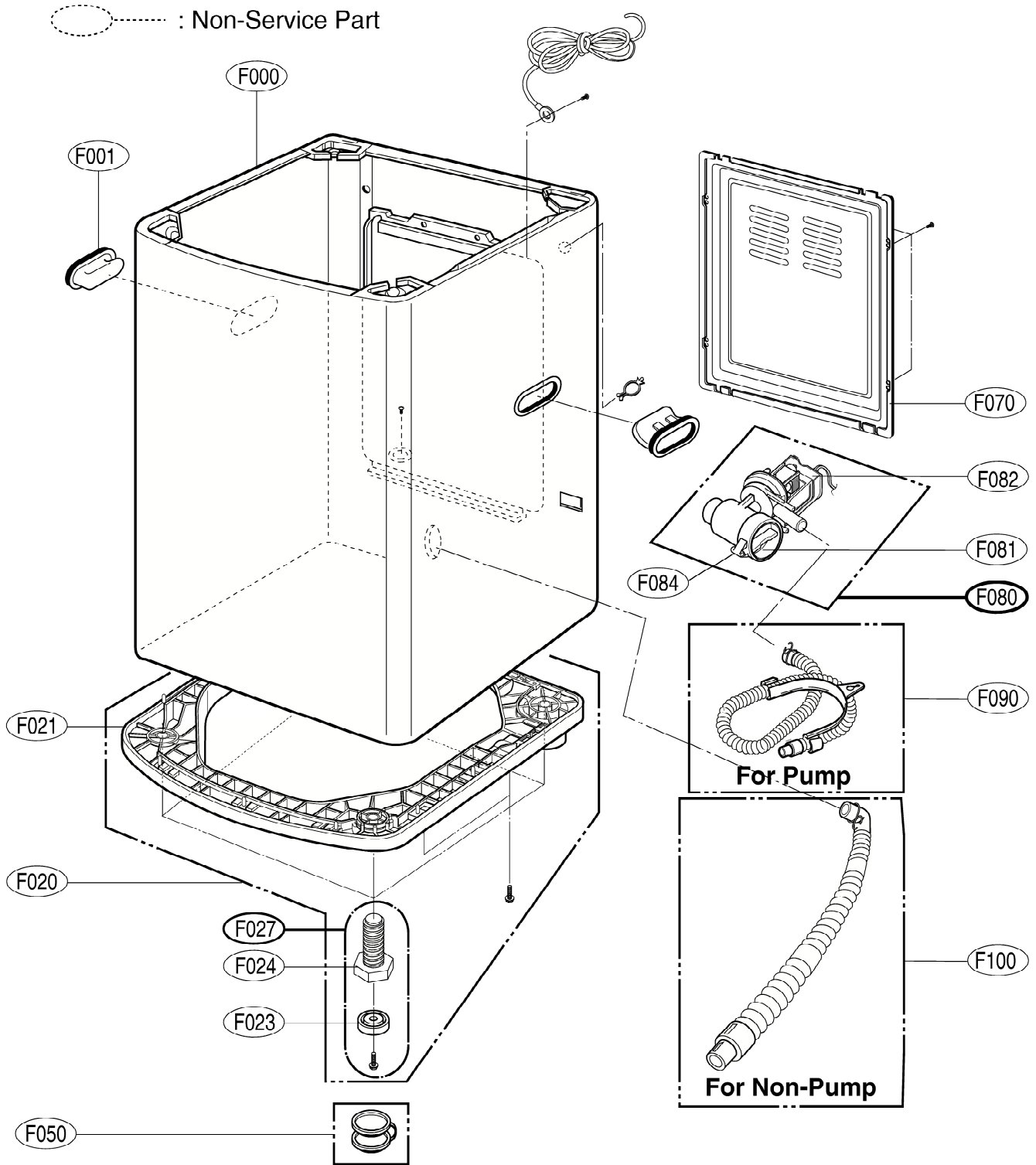


# 5-1. THE EXPLODED VIEW OF THE BODY-A



## 5-2. THE EXPLODED VIEW OF THE BODY-B



# 5-3. THE EXPLODED VIEW OF THE TUB ASSEMBLY

○ : Non-Service Part

