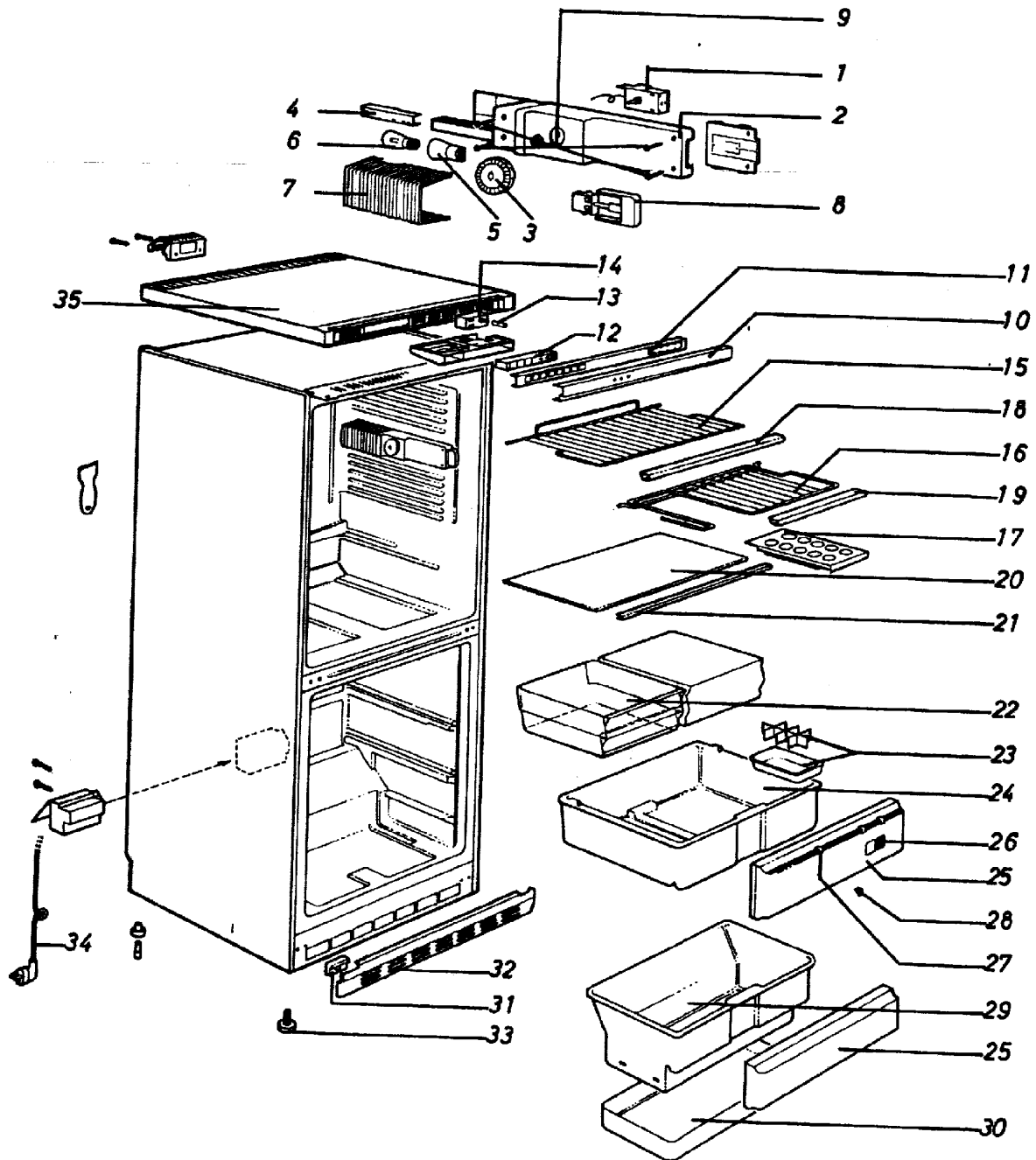
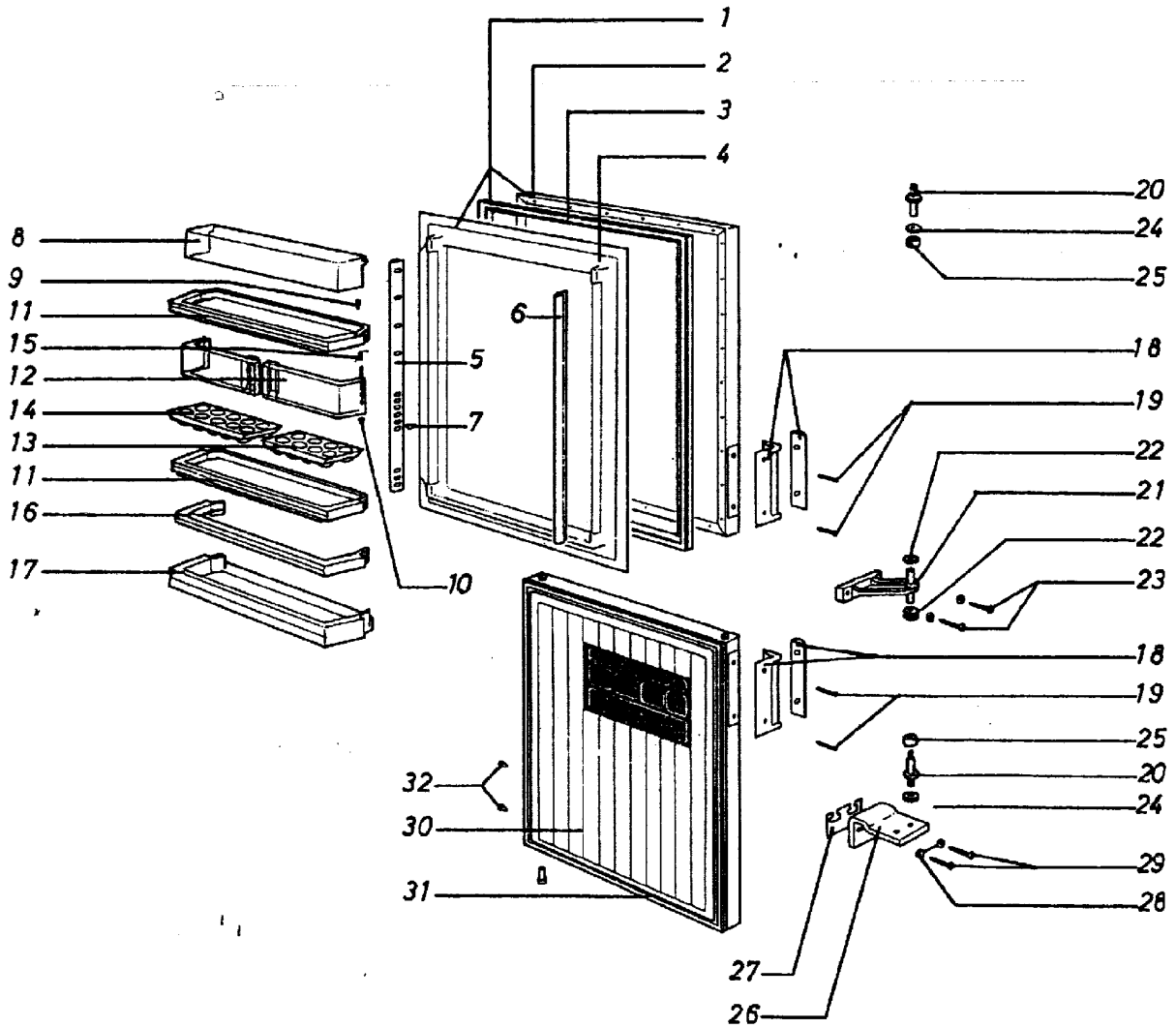


poisson alarme 6060022 (congel.)
poisson alarme

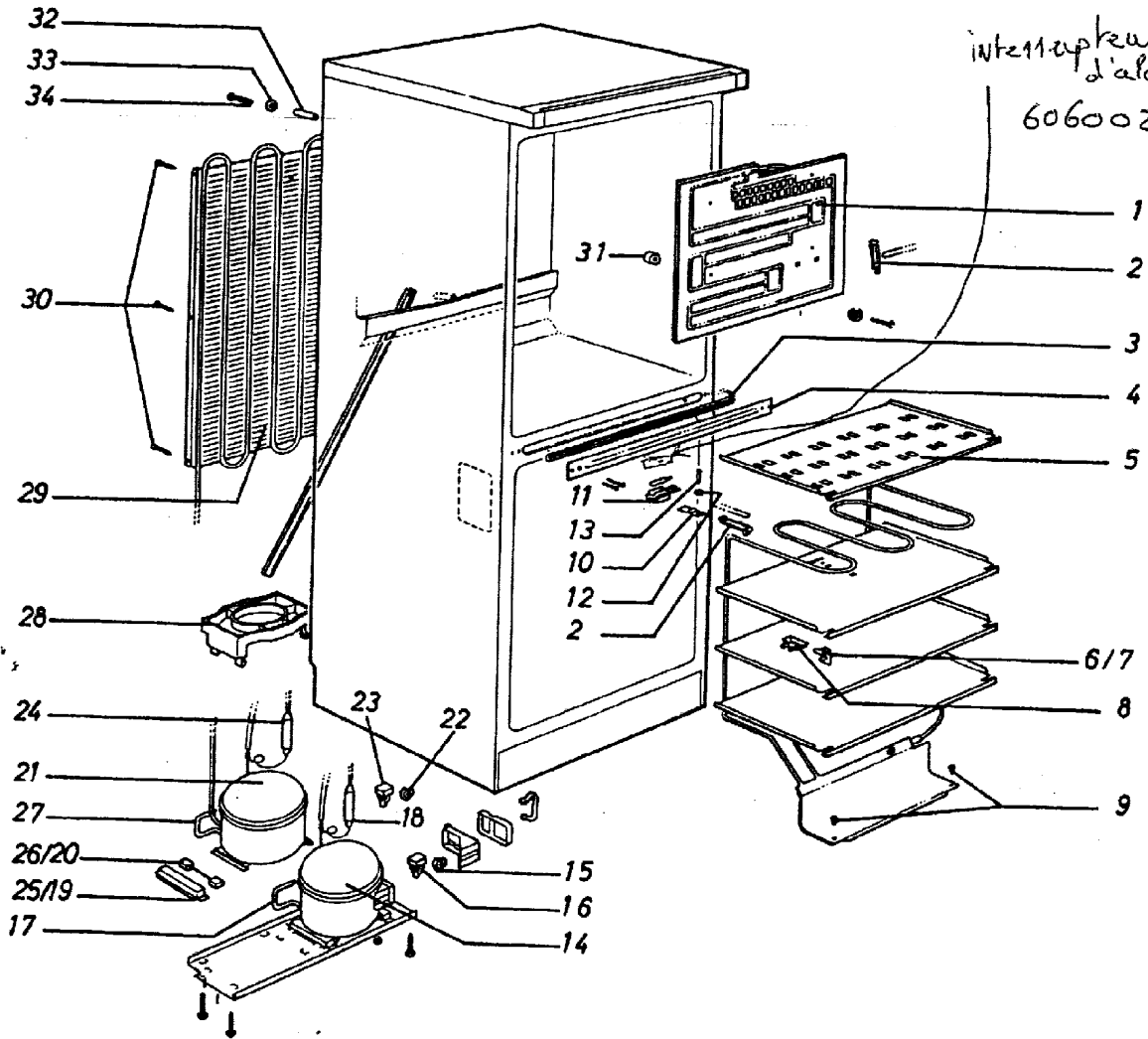
(A)



(B)



(C)



Ersatzteile für Ausführung LEXPièces de rechange pour exécution LEXSpare-parts for version LEXLista de piezas de recambio eiecución LEX

| KGS 3223-5 | | | | KGS 3823-5 | | | | KGS 3923-5 | | | | KGS 4023-5 | | | |
|------------|----------|-------------------|--------|-------------------|----------|-------------------|--------|------------|----------|-------------------|--------|------------|----------|-------------------|--------|
| Nr. | Anzahl | Teile-Nummer | Pr.Gr. | Nr. | Anzahl | Teile-Nummer | Pr.Gr. | Nr. | Anzahl | Teile-Nummer | Pr.Gr. | Nr. | Anzahl | Teile-Nummer | Pr.Gr. |
| No | Pièce | No pièce détachée | Gr.Pr. | No | Pièce | No pièce détachée | Gr.Pr. | No | Pièce | No pièce détachée | Gr.Pr. | No | Pièce | No pièce détachée | Gr.Pr. |
| No. | Quantity | Spare part No. | Pr.Gr. | No. | Quantity | Spare part No. | Pr.Gr. | No. | Quantity | Spare part No. | Pr.Gr. | No. | Quantity | Spare part No. | Pr.Gr. |
| No. | Piecas | Referencia | Gr.Pr. | No. | Piecas | Referencia | Gr.Pr. | No. | Piecas | Referencia | Gr.Pr. | No. | Piecas | Referencia | Gr.Pr. |
| Seite 3 | | | | ← page Seite 3 | | | | Seite 3 | | | | Seite 3 | | | |
| 3 | 1 | 7412030 | 08 | 3 | 1 | 7412030 | 08 | 3 | 1 | 7412030 | 08 | 3 | 1 | 7412030 | 08 |
| 8 | 1 | 6060040 | 10 | 8 | 1 | 6060040 | 10 | 8 | 1 | 6060040 | 10 | 8 | 1 | 6060040 | 10 |
| 10 | 1 | 9041120 | 11 | 10 | 1 | 9041120 | 11 | 10 | 1 | 9041120 | 11 | 10 | 1 | 9041120 | 11 |
| 11 | 1 | 7004020 | 10 | 11 | 1 | 7004020 | 10 | 11 | 1 | 7004020 | 10 | 11 | 1 | 7004020 | 10 |
| 12 | 1 | 6071064 | 15 | 12 | 1 | 6071064 | 15 | 12 | 1 | 6071064 | 15 | 12 | 1 | 6071064 | 15 |
| 17 | 1 | 7412010 | 11 | 17 | 1 | 7412009 | 11 | 17 | 1 | 7412009 | 11 | 17 | 1 | 7412009 | 11 |
| 18 | 2 | 7402994 | 09 | 18 | 2 | 7402994 | 09 | 18 | 3 | 7402994 | 09 | 18 | 4 | 7402994 | 09 |
| 19 | 1 | 7402996 | 09 | 19 | 1 | 7402996 | 09 | 19 | 1 | 7402996 | 09 | 19 | 1 | 7402996 | 09 |
| 21 | 1 | 7640012 | 09 | 21 | 1 | 7640012 | 09 | 21 | 1 | 7640012 | 09 | 20 | 1 | 7271023 | 13 |
| 22 | 2 | 9290211 | 13 | 22 | 2 | 9290211 | 13 | 22 | 2 | 9290211 | 13 | 21 | 1 | 7640012 | 09 |
| 23 | 2 | 7412028 | 10 | 23 | 2 | 7412028 | 10 | 23 | 2 | 7412028 | 10 | 22 | 2 | 9290211 | 13 |
| 25 | 3 | 9041110 | 12 | 25 | 5 | 9041110 | 12 | 25 | 4 | 9041110 | 12 | 23 | 2 | 7412028 | 10 |
| 26 | 1 | 9681021 | 07 | 26 | 1 | 9681021 | 07 | 26 | 1 | 9681021 | 07 | 25 | 3 | 9041110 | 12 |
| | 1 | 9681022 | 07 | | 1 | 9681022 | 07 | | 1 | 9681022 | 07 | 26 | 1 | 9681021 | 07 |
| | 1 | 9681023 | 07 | | 1 | 9681023 | 07 | | 1 | 9681023 | 07 | | 1 | 9681022 | 07 |
| | | | | | 1 | 9681024 | 07 | | 1 | 9681024 | 07 | | 1 | 9681022 | 07 |
| | | | | | 1 | 9681025 | 07 | | | | | | 1 | 9681023 | 07 |
| 27 | 6 | 7402999 | 01 | 27 | 10 | 7402999 | 01 | 27 | 8 | 7402999 | 01 | 27 | 10 | 7402999 | 01 |
| 28 | 6 | 7412025 | 01 | 28 | 10 | 7412025 | 01 | 28 | 8 | 7412025 | 01 | 28 | 10 | 7412025 | 01 |
| 30 | 1 | 9940072 | 13 | 30 | 1 | 9940072 | 13 | 30 | 1 | 9940072 | 13 | 30 | 1 | 9940072 | 13 |
| 31 | 1 | 7402998 | 04 | 31 | 1 | 7402998 | 04 | 31 | 1 | 7402998 | 04 | 31 | 1 | 7402998 | 04 |
| 32 | 1 | 7402997 | 10 | 32 | 1 | 7402997 | 10 | 32 | 1 | 7402997 | 10 | 32 | 1 | 7402997 | 10 |
| 35 | 1 | 7412022 | 18 | 35 | 1 | 7412022 | 18 | 35 | 1 | 7412022 | 18 | 35 | 1 | 7412022 | 18 |

Datum: 2.12.85

Name: Meier

Schaltplan-Nr.: 7731 243

Ersatzteile für Ausführung LEXPièces de rechange pour exécution LEXSpare-parts for version LEXLista de piezas de recambio eiecución LEX

| KGS 3223-5 | | | | KGS 3823-5 | | | | KGS 3923-5 | | | | KGS 4023-5 | | | |
|----------------|----------|-------------------|--------|-------------|----------|-------------------|--------|--------------------------|----------|-------------------|--------|------------|----------|-------------------|--------|
| Nr. | Anzahl | Teile-Nummer | Pr.Gr. | Nr. | Anzahl | Teile-Nummer | Pr.Gr. | Nr. | Anzahl | Teile-Nummer | Pr.Gr. | Nr. | Anzahl | Teile-Nummer | Pr.Gr. |
| No | Pièce | No pièce détachée | Gr.Pr. | No | Pièce | No pièce détachée | Gr.Pr. | No | Pièce | No pièce détachée | Gr.Pr. | No | Pièce | No pièce détachée | Gr.Pr. |
| No. | Quantity | Spare part No. | Pr.Gr. | No. | Quantity | Spare part No. | Pr.Gr. | No. | Quantity | Spare part No. | Pr.Gr. | No. | Quantity | Spare part No. | Pr.Gr. |
| No. | Pieças | Referencia | Gr.Pr. | No. | Pieças | Referencia | Gr.Pr. | No. | Pieças | Referencia | Gr.Pr. | No. | Pieças | Referencia | Gr.Pr. |
| Seite 5 | | | | Seite 5 | | | | Seite 5 | | | | Seite 5 | | | |
| 1 | 1 | 9804029 | 29 | 1 | 1 | 9804029 | 29 | 1 | 1 | 9804992 | 30 | 1 | 1 | 9804034 | 31 |
| 2 | 1 | 9005894 | 23 | 2 | 1 | 9005894 | 23 | 2 | 1 | 9005901 | 25 | 2 | 1 | 9005904 | 26 |
| 5 | 1 | 9704054 | 11 | 5 | 1 | 9704054 | 11 | 5 | 1 | 9704053 | 11 | 5 | 1 | 9704051 | 12 |
| 6 | 1 | 9704055 | 11 | 6 | 1 | 9704055 | 11 | 6 | 1 | 9704052 | 11 | 6 | 1 | 9704050 | 12 |
| 7 | 20 | 7402869 | 01 | 7 | 20 | 7402869 | 01 | 7 | 20 | 7402869 | 01 | 7 | 28 | 7402869 | 01 |
| 8 | 1 | 9101063 | 11 | 8 | 1 | 9101063 | 11 | 8 | 1 | 9101063 | 11 | 8 | 1 | 9101063 | 11 |
| 9 | 2 | 7402991 | 01 | 9 | 2 | 7402991 | 01 | 9 | 2 | 7402991 | 01 | 9 | 2 | 7402991 | 01 |
| 10 | 4 | 7402990 | 01 | 10 | 4 | 7402990 | 01 | 10 | 4 | 7402990 | 01 | 10 | 6 | 7402990 | 01 |
| 11 | 1 | 9030117 | 11 | 11 | 1 | 9030117 | 11 | 11 | 2 | 9030117 | 11 | 11 | 2 | 9030117 | 11 |
| 12 | 2 | 7412012 | 10 | 12 | 2 | 7412012 | 10 | 12 | 2 | 7412012 | 10 | 12 | 2 | 7412012 | 10 |
| 13 | 1 | 7402872 | 10 | 13 | 1 | 7402872 | 10 | 13 | 1 | 7402872 | 10 | 13 | 1 | 7402872 | 10 |
| 14 | 1 | 7402871 | 10 | 14 | 1 | 7402871 | 10 | 14 | 1 | 7402871 | 10 | 14 | 1 | 7402871 | 10 |
| 16 | 1 | 7402992 | 10 | 16 | 1 | 7402992 | 10 | 16 | 2 | 7402992 | 10 | 16 | 2 | 7402992 | 10 |
| 17 | 2 | 9030116 | 12 | 17 | 2 | 9030116 | 12 | 17 | 2 | 9030116 | 12 | 17 | 3 | 9030116 | 12 |
| 18 | 2 | 7042360 | 13 | 18 | 2 | 7042360 | 13 | 18 | 2 | 7042360 | 13 | 18 | 1 | 7042360 | 13 |
| 19 | 4 | 4082856 | 01 | 19 | 4 | 4082856 | 01 | 19 | 4 | 4082856 | 01 | 19 | 2 | 4082856 | 01 |
| 30 | 1 | 9804013 | 27 | 30 | 1 | 9804014 | 30 | 30 | 1 | 9804026 | 28 | 30 | 1 | 9804015 | 27 |
| Seite 7 | | | | Seite 7 | | | | Seite 7 | | | | Seite 7 | | | |
| 3 | - | ----- | -- | 3 | - | ----- | -- | 3 | - | ----- | -- | 3 | - | ----- | -- |
| 4 | - | ----- | -- | 4 | - | ----- | -- | 4 | - | ----- | -- | 4 | - | ----- | -- |
| 19 | - | ----- | -- | 19 | - | ----- | -- | 19 | - | ----- | -- | 19 | - | ----- | -- |
| 20 | 4 | 7402888 | 05 | 20 | 4 | 7402888 | 05 | 20 | 4 | 7402888 | 05 | 20 | 4 | 7402888 | 05 |
| 25 | - | ----- | -- | 25 | - | ----- | -- | 25 | - | ----- | -- | 25 | - | ----- | -- |
| 26 | 4 | 7402888 | 05 | 26 | 4 | 7402888 | 05 | 26 | 4 | 7402888 | 05 | 26 | 4 | 7402888 | 05 |
| 29 | 1 | 5941154 | 23 | 29 | 1 | 5941153 | 25 | 29 | 1 | 5941153 | 25 | 29 | 1 | 5941153 | 25 |
| Datum: 2.12.85 | | | | Name: Meier | | | | Schaltplan-Nr.: 7731 243 | | | | | | | |