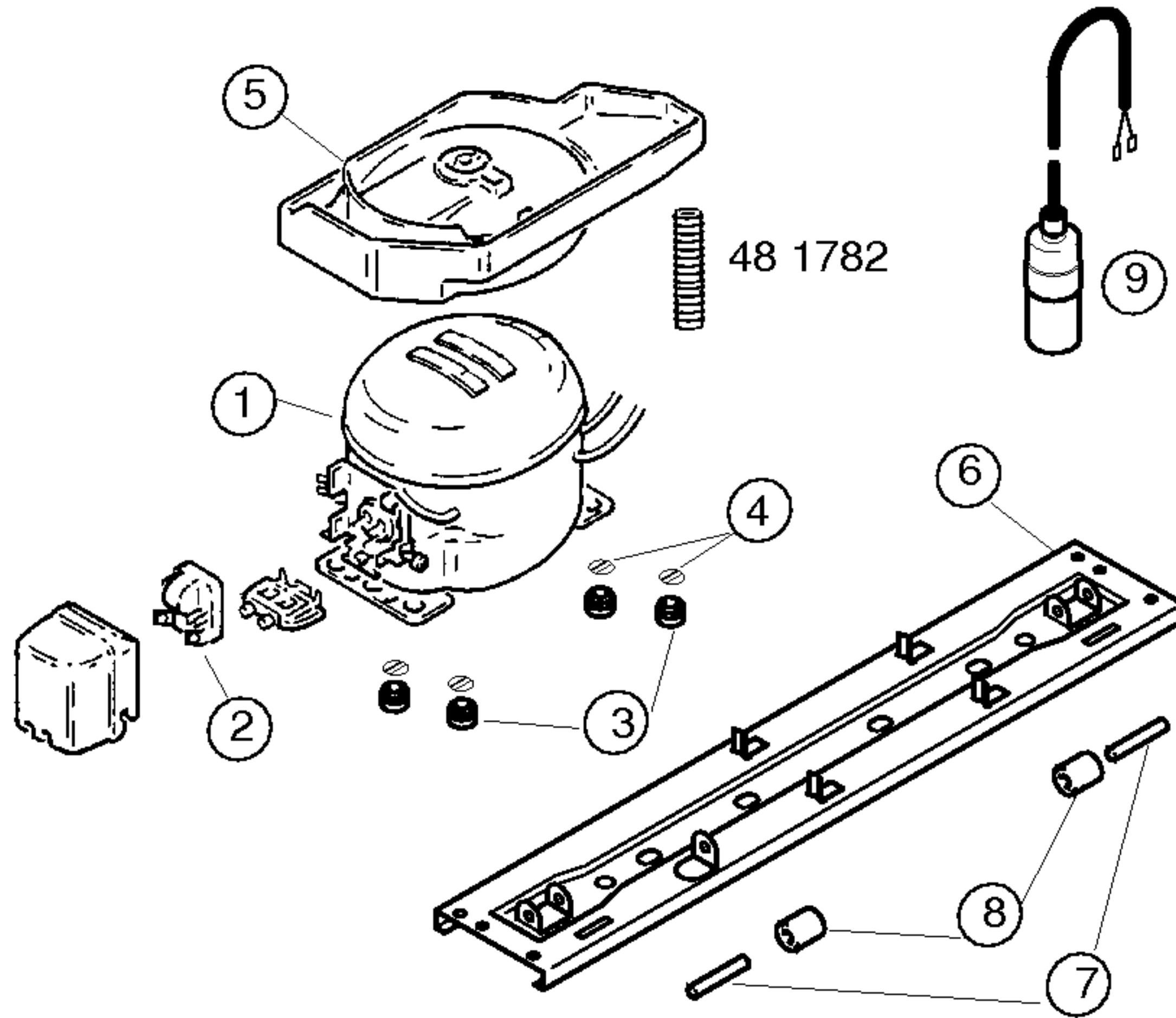


- 1) 36 1407
- 2) 35 4166
- 3) 16 6484
- 4) 16 5557
- 5) 24 1323



| Pos. | Danfoss | | |
|------|---------|--|--|
| | TLY7KK2 | | |
| 1 | 14 3519 | | |
| 2 | 16 5570 | | |
| 3 | 16 3427 | | |
| 4 | 17 1519 | | |
| 5 | 48 9208 | | |
| 6 | 35 4158 | | |
| 7 | 18 1014 | | |
| 8 | 17 1318 | | |
| 9 | 17 4093 | | |
| 10 | | | |
| 11 | | | |
| 12 | | | |

| TECHNISCHE DATEN/TECHNICAL DATA/TEKNIK BILGILER | | | |
|--|-------|--|---|
| Verdichter/Compressor/Kompresör Typ/Type/Tip Förderleistung/Delivery/Verim/h Anlaufstrom/Starting current/Giris akimi Widerstand/Resistance/Rezistans Ha/ Hi/aux. | | Danfoss TLY7KK2 23 A Ohm | |
| Temp.Reyler/Thermostat/Termostat Typ/Type/Tip Reglerstellung/Position/Termostat pozisyonu Schaltwerte/Acma kapama degerleri Valeurs de commutation/Termostat degeri (..abtaven' od) | | Danfoss 077B52 +4 +10.5 -21 -10.7 ..ein/acma °C ..aus"/kapama ..alarm' | |
| Füllmenge/Fill. quantity/ Dolum miktarı | R600a | g | * |
| Anschlusswert/Comm. load/Giris gucu | | W | * |
| Heizung/Heater/Rezistans Widerstand/Resistance/Direnc Leistung/Power/Guc | | Ohm W | |
| Ventilador/Blower/Vantilatör Widerstand/Resistance/Rezistans | | Ohm | |
| Magnetventil/Magnetic valve/Manyetik valf Widerstand/Resistance/Rezistans Spannung/Voltage/Gerilim | | Ohm V | |
| Temp.Reyler/Thermostat/Termostat | | | |

* Siehe Typenschild/Mamul etiketine bakiniz