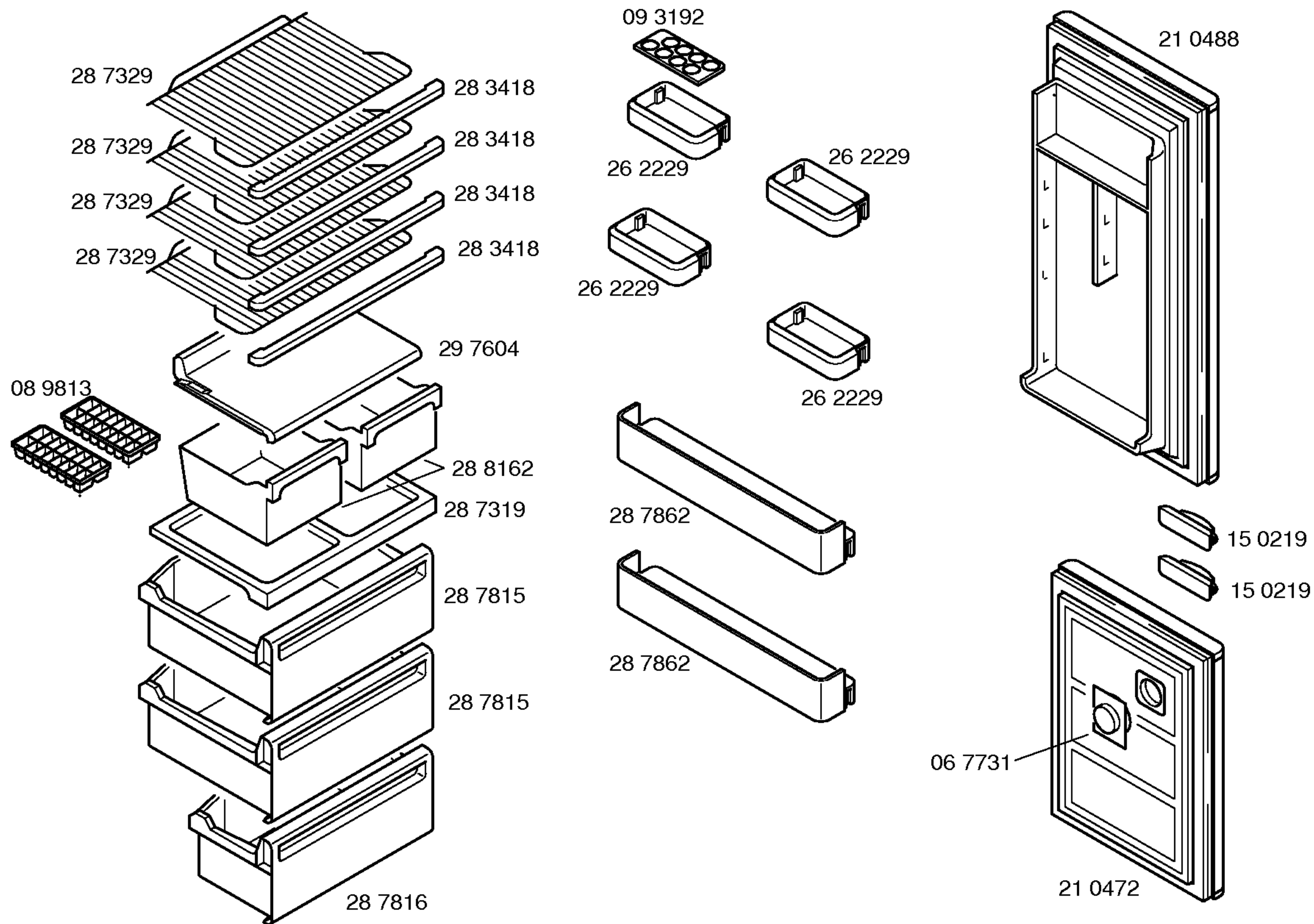


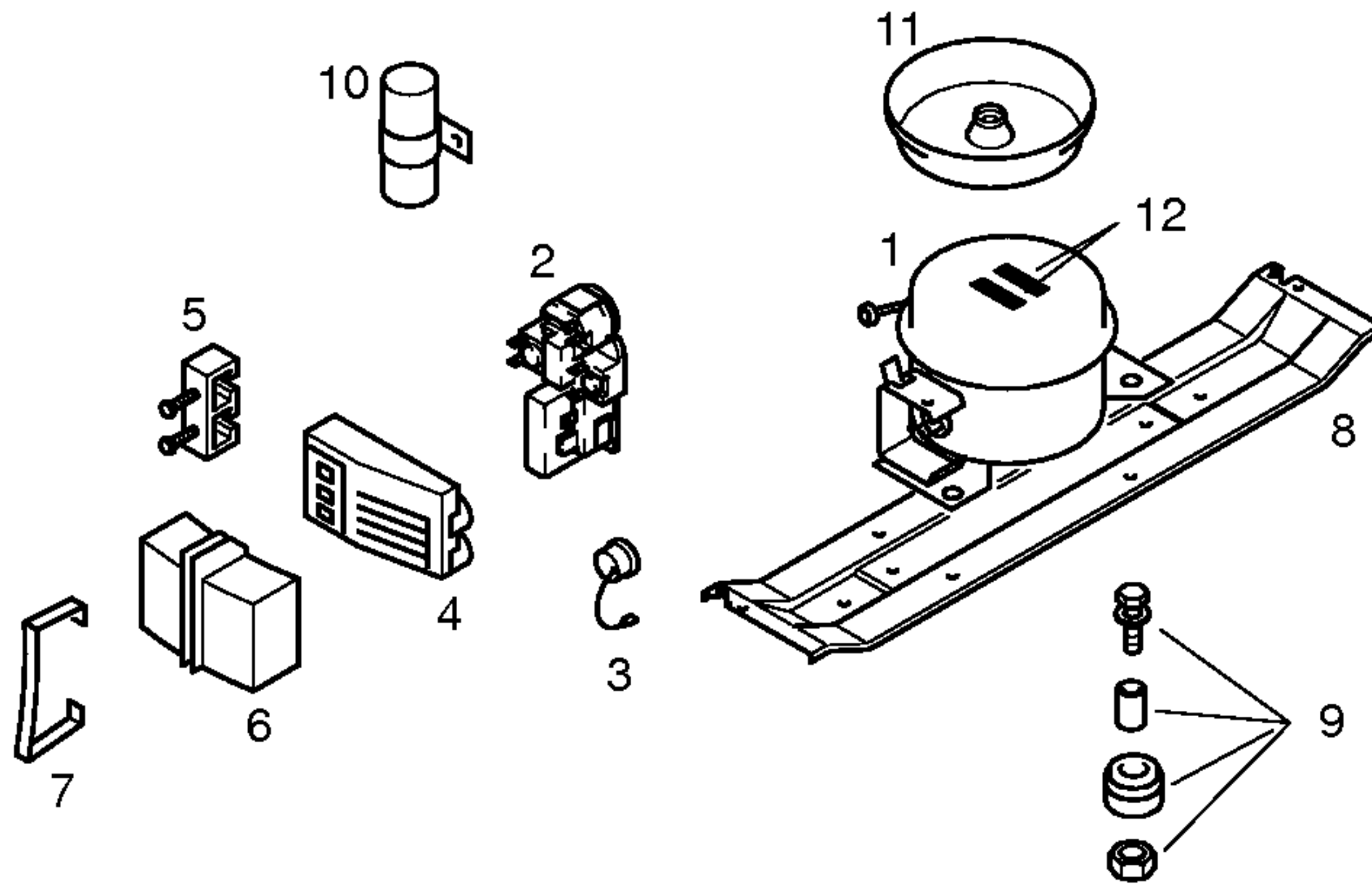
Libro de instrucciones  
51 7464  
(E,P,GB,,F,NL,GR)

Instrucciones R600a  
51 9240  
(D,GB,F,I,NL,DK,N,  
S,SF,P,GR,E,TR)

Instrucciones de montaje  
51 7252  
(D,GB,F,I,NL,E,P,GR)

- 1) 067746
- 2) 03 3055





| Pos. | Matsushita | Aspera      |          |  |
|------|------------|-------------|----------|--|
|      |            | SD65E67WAY5 | BPM1110Y |  |
| 1    | 14 1590    | 14 1605     |          |  |
| 2    | 16 5229    | 15 4315     |          |  |
| 3    |            | 16 5230     |          |  |
| 4    |            |             |          |  |
| 5    |            |             |          |  |
| 6    |            |             |          |  |
| 7    |            |             |          |  |
| 8    | 28 0162    | 28 0162     |          |  |
| 9    | 05 0166    | 05 0166     |          |  |
| 10   |            |             |          |  |
| 11   | 09 5320    |             |          |  |
| 12   |            |             |          |  |
| 13   |            |             |          |  |

| TECHNISCHE DATEN/TECHNICAL DATA/DONNEES TECHNIQUES/DATOS TECNICOS  |   |  |    |
|--|---|--|----|
| Verdichter/Compressor/Compresseur/Compresor<br>Typ/Type/Tipo<br>Förderleistung/Delivery/Debit/Aspiración l/h<br>Anlaufstromm/Starting current/Cour.démarrage/Int.arranque A<br>Widerstand/Resistance/Resistencia. Ha/main/prin. Ohm<br>Hi/aux. | Matsushita<br>SD65E                               | Aspera<br>BPM1110Y   |    |
| Temp.Reyler/Thermostat/Termostato<br>Typ/Type/Tipo<br>Reglerstellung/Position/Conexión<br>Schaltwerte/Switching values/ ..ein/conex.°C<br>Valeurs de commutation/Desconex. ..aus"/descon.<br>(..abtaven' od) ..alarm'                          | Danfoss<br>077B62<br>MIN. MAX<br>+6°<br>-13° -28° | Ranco<br>K54-L1924<br>MIN. MAX<br>-14° -24°<br>-21° -31°<br>-15° |    |
| Füllmenge/Fill. quantity/Charge/Carga R600a  | g   | *  | *  |
| Anschlusswert/Comm. load/Puiss. Connect./Potenc.   | W   | 89   | 86 |
| Heizung/Heater/Chauflage/Resistenc.descong.<br>Widerstand/Resistance/Resistencia<br>Leistung/Power/Puissance/Potencia  | Ohm<br>W  |  |    |
| Ventilador/Blower/Ventilateur/Ventilador<br>Widerstand/Resistance/Resistencia  | Ohm   |  |    |
| Magnetventil/Magnetic valve/Electrovanne/Electrovalvula<br>Widerstand/Resistance/Resistencia<br>Spannung/Voltage/Tension/Tensión   | Ohm<br>V  |  |    |
| Temp.Reyler/Thermostat/Termostato ambiente para ventilador refrigerador  |   |  |    |

\* Siehe Typenschild/Ver plaqueta de características