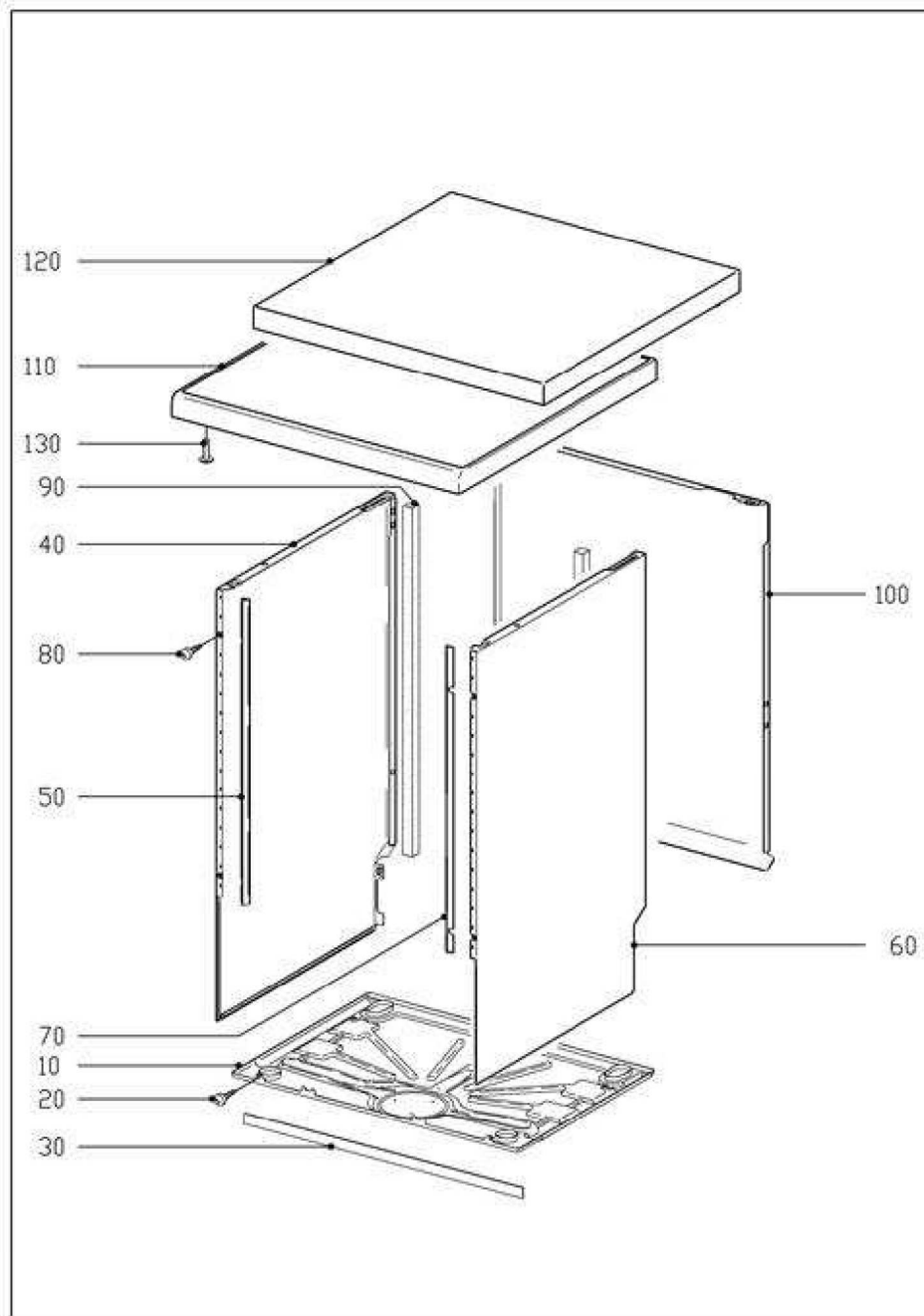
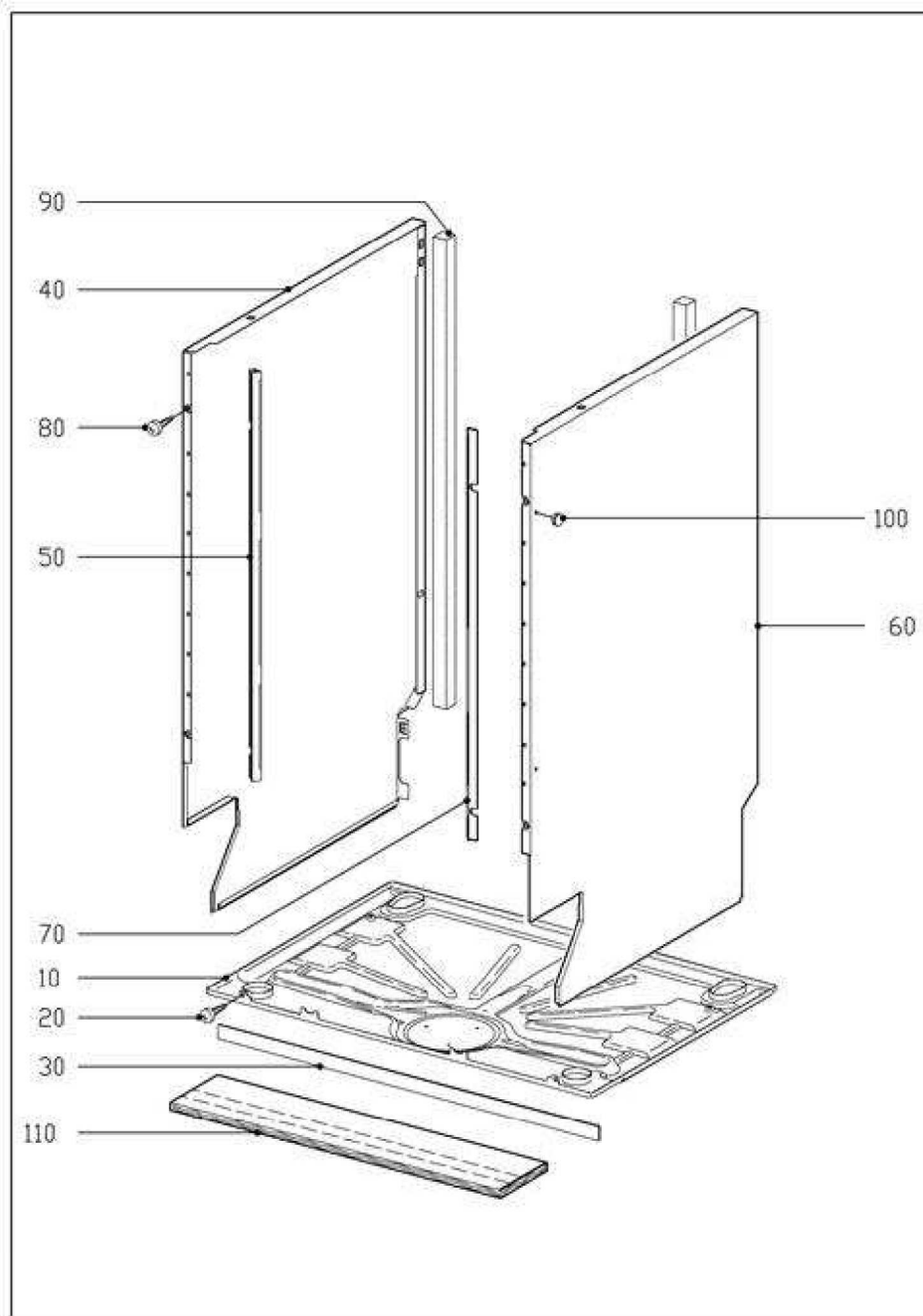


010 Casing Freestanding units



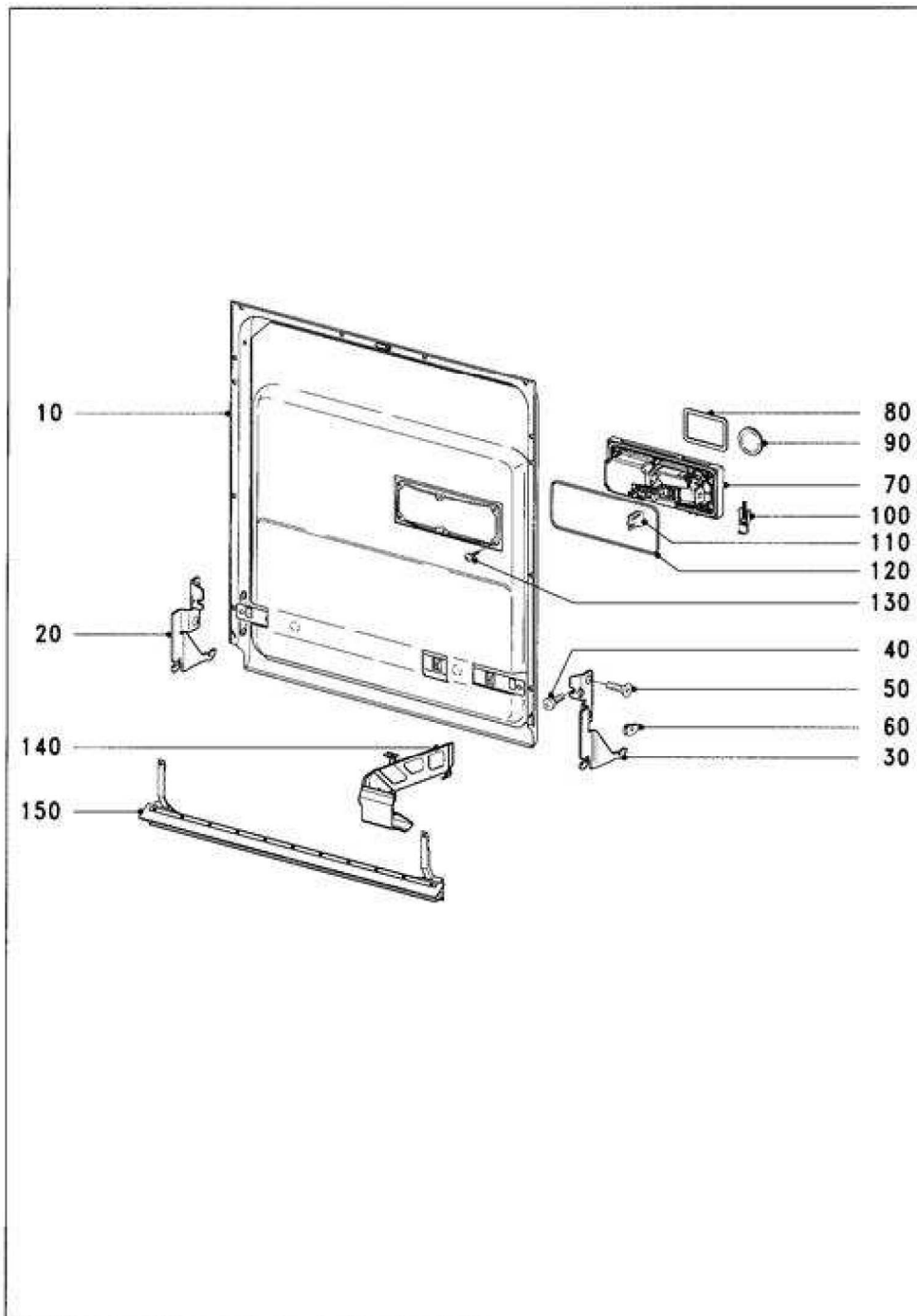
6964360-010

012 Casing



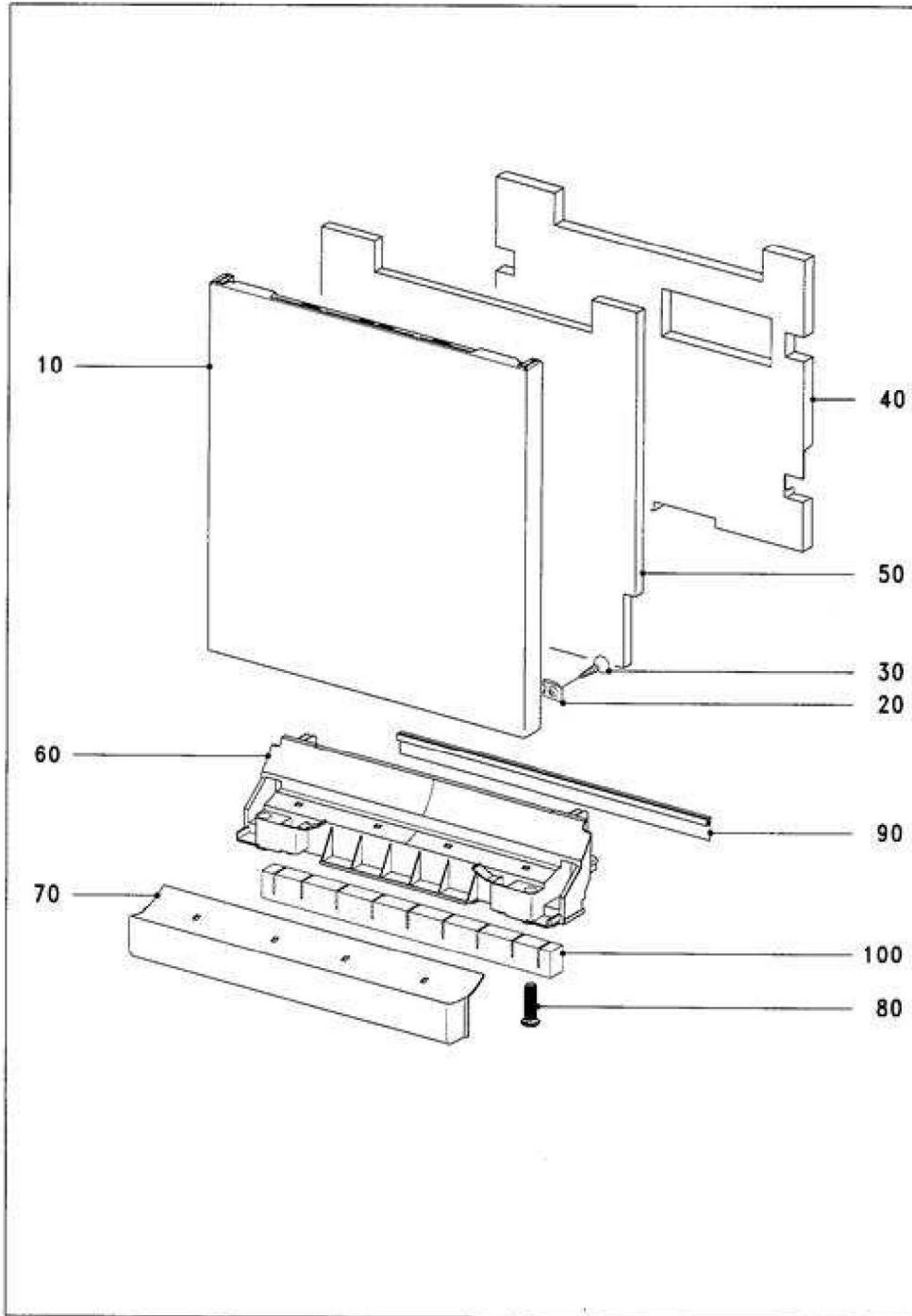
6964360-012

020 Door



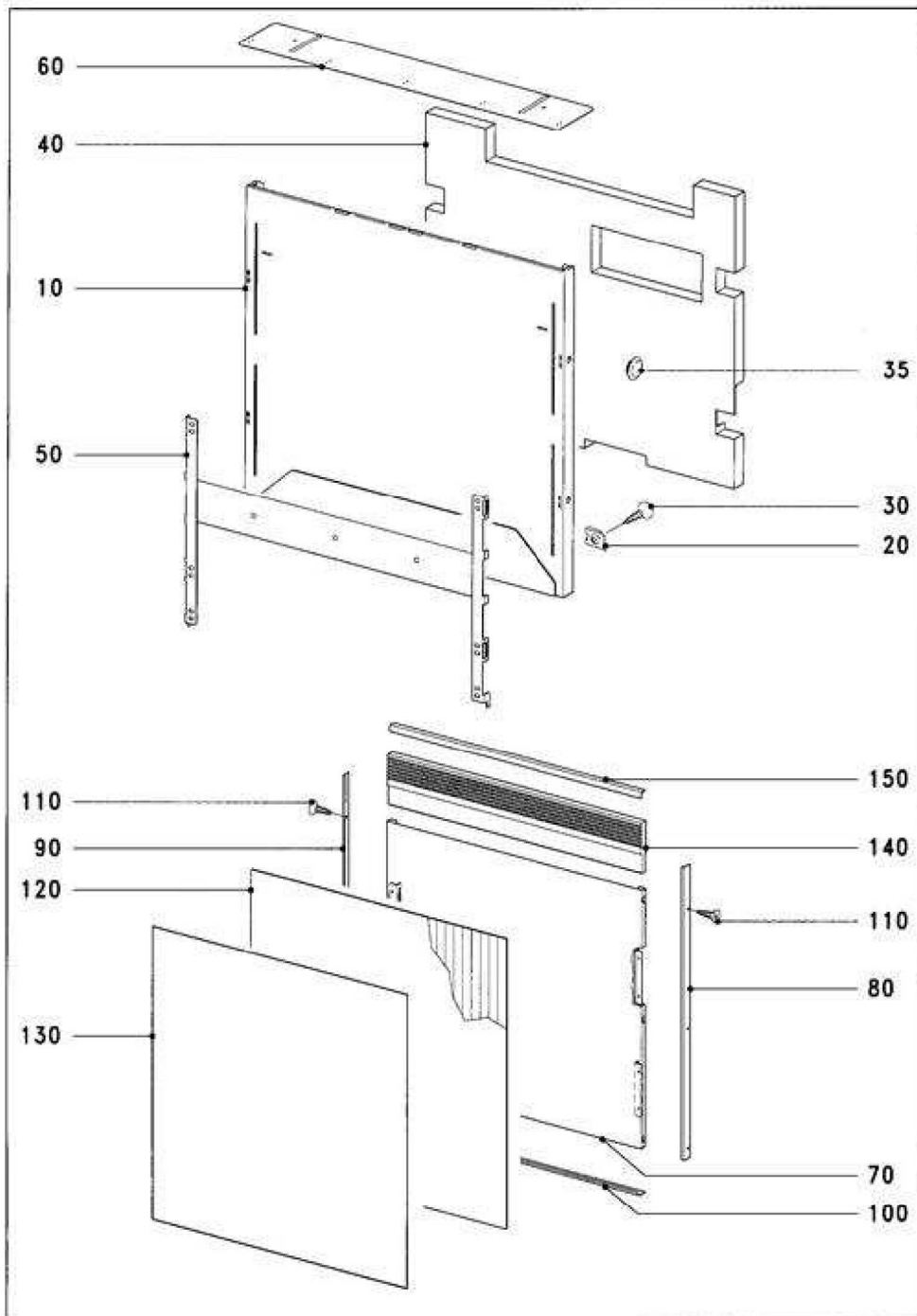
6202250-020

030 Front panel Freestanding units



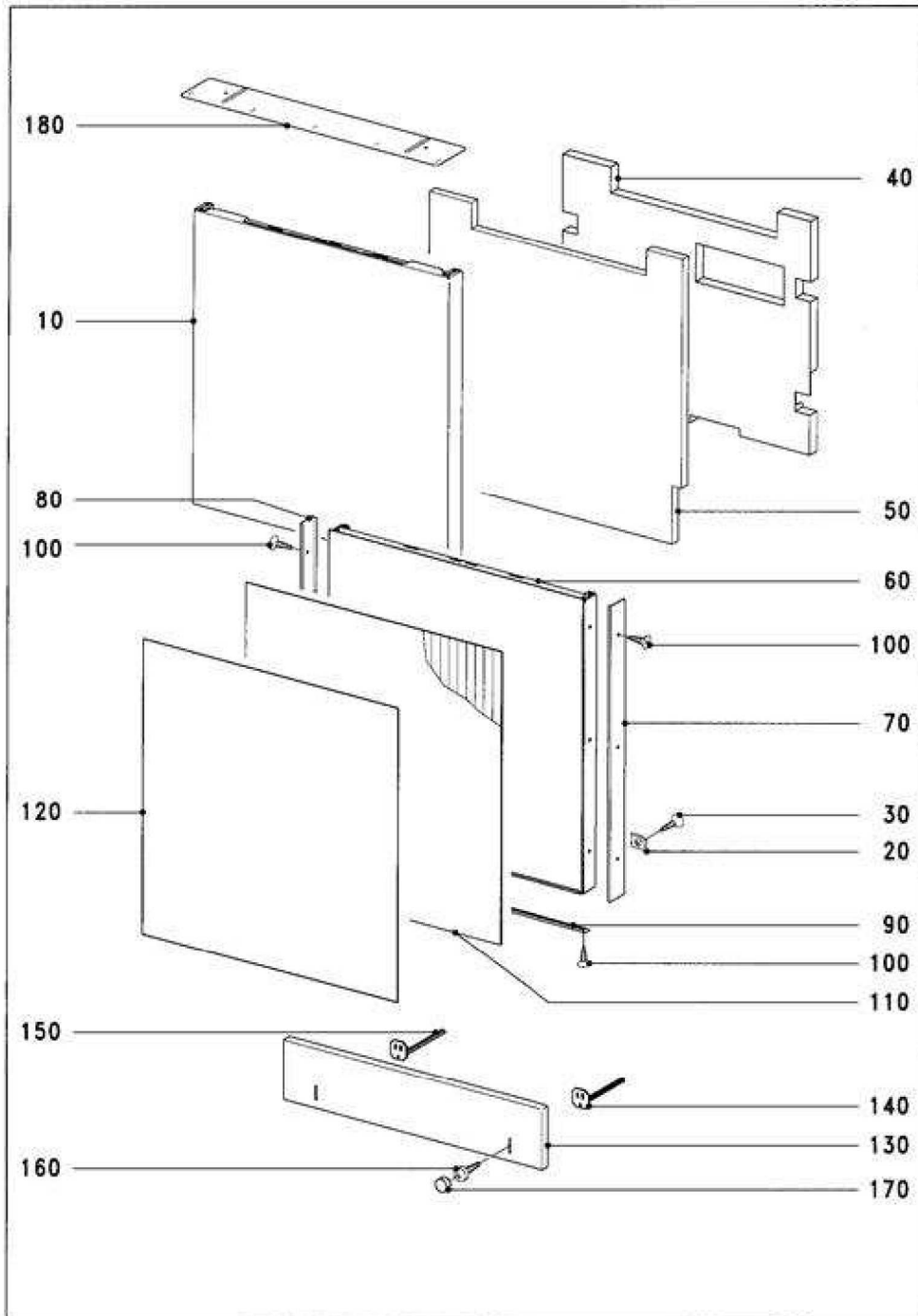
6458730-030

032 Front panel Integrated appliance



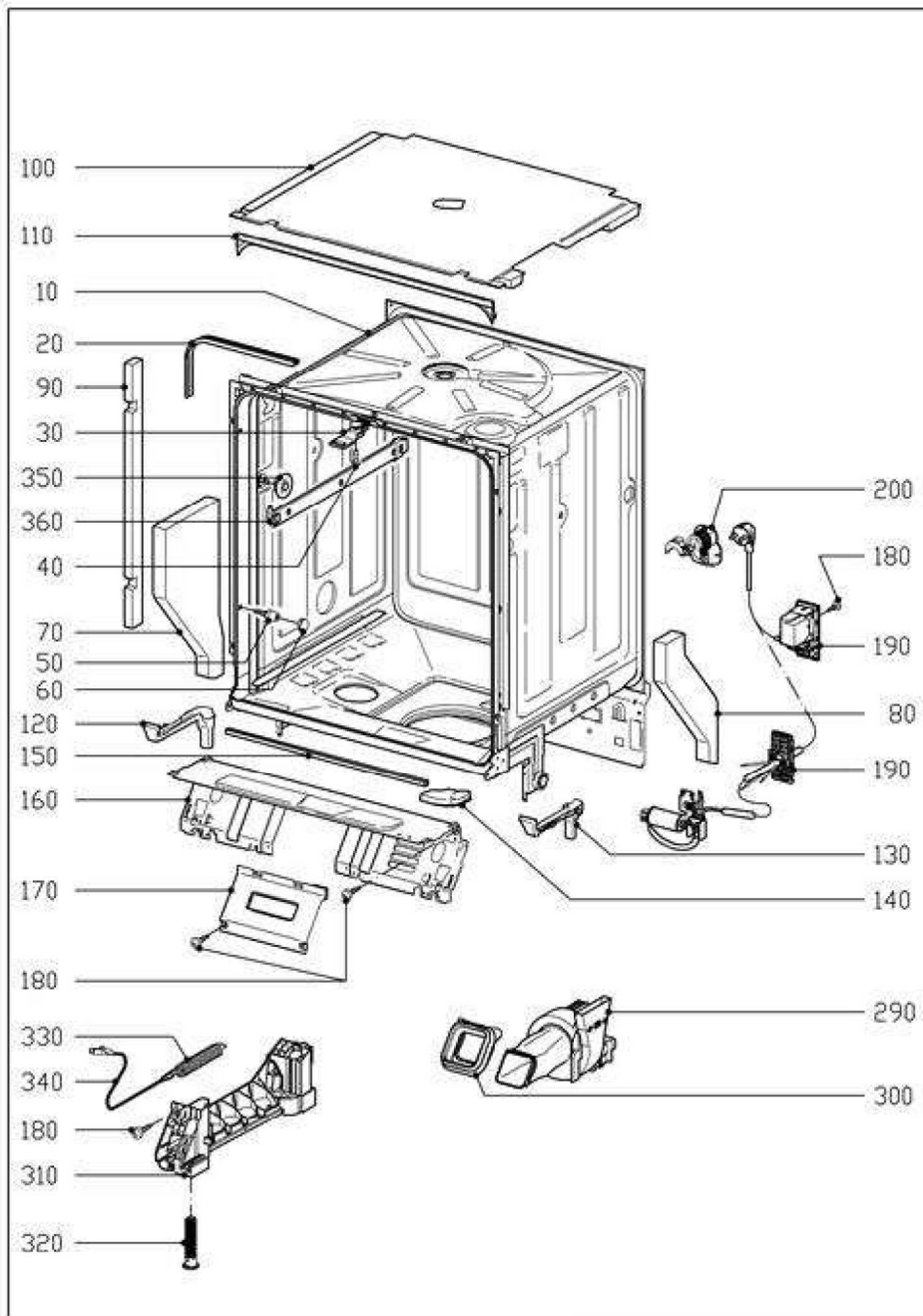
6202250-032

034 Front panel Built-under units



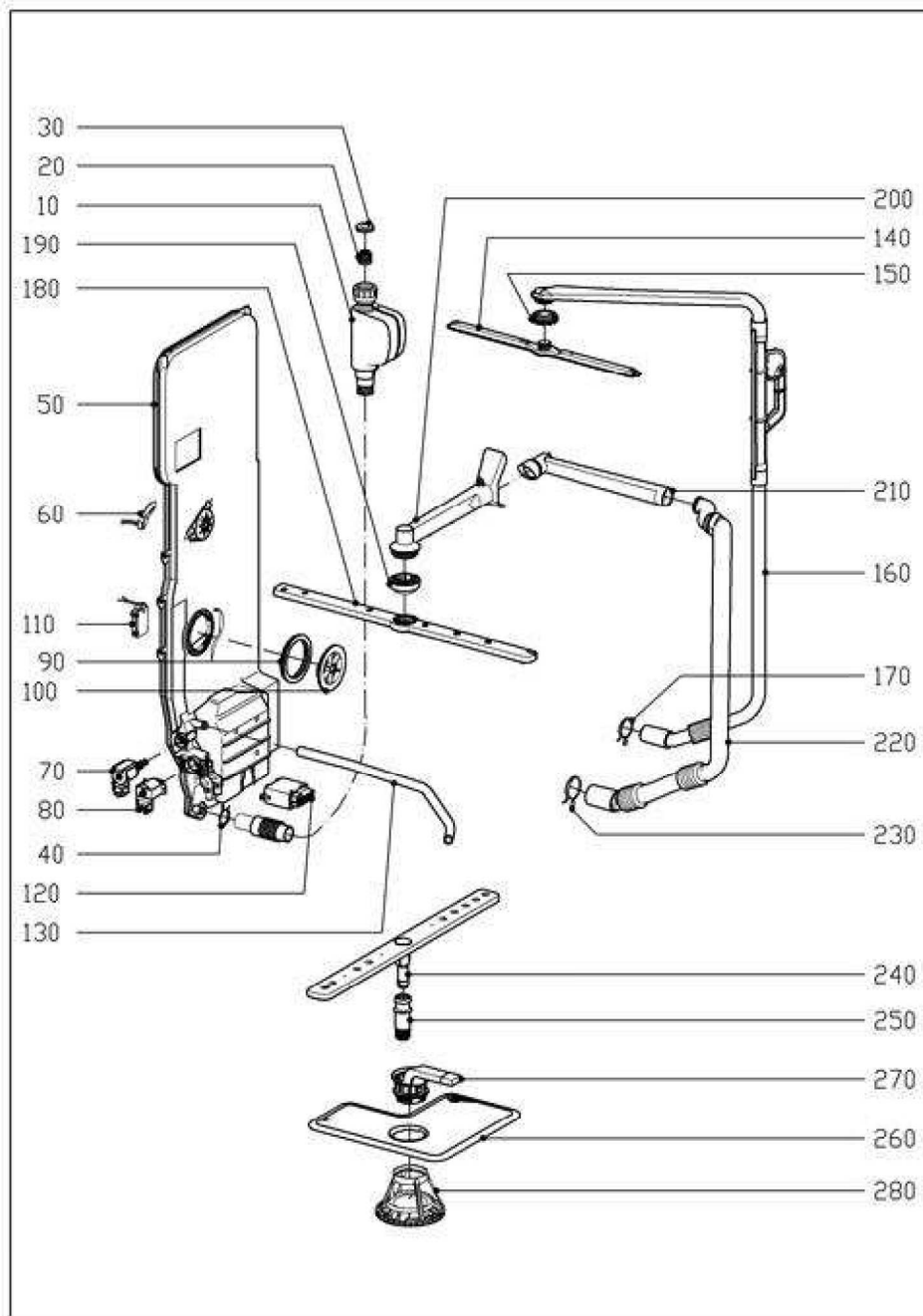
6202250-034

044 Inner cabinet



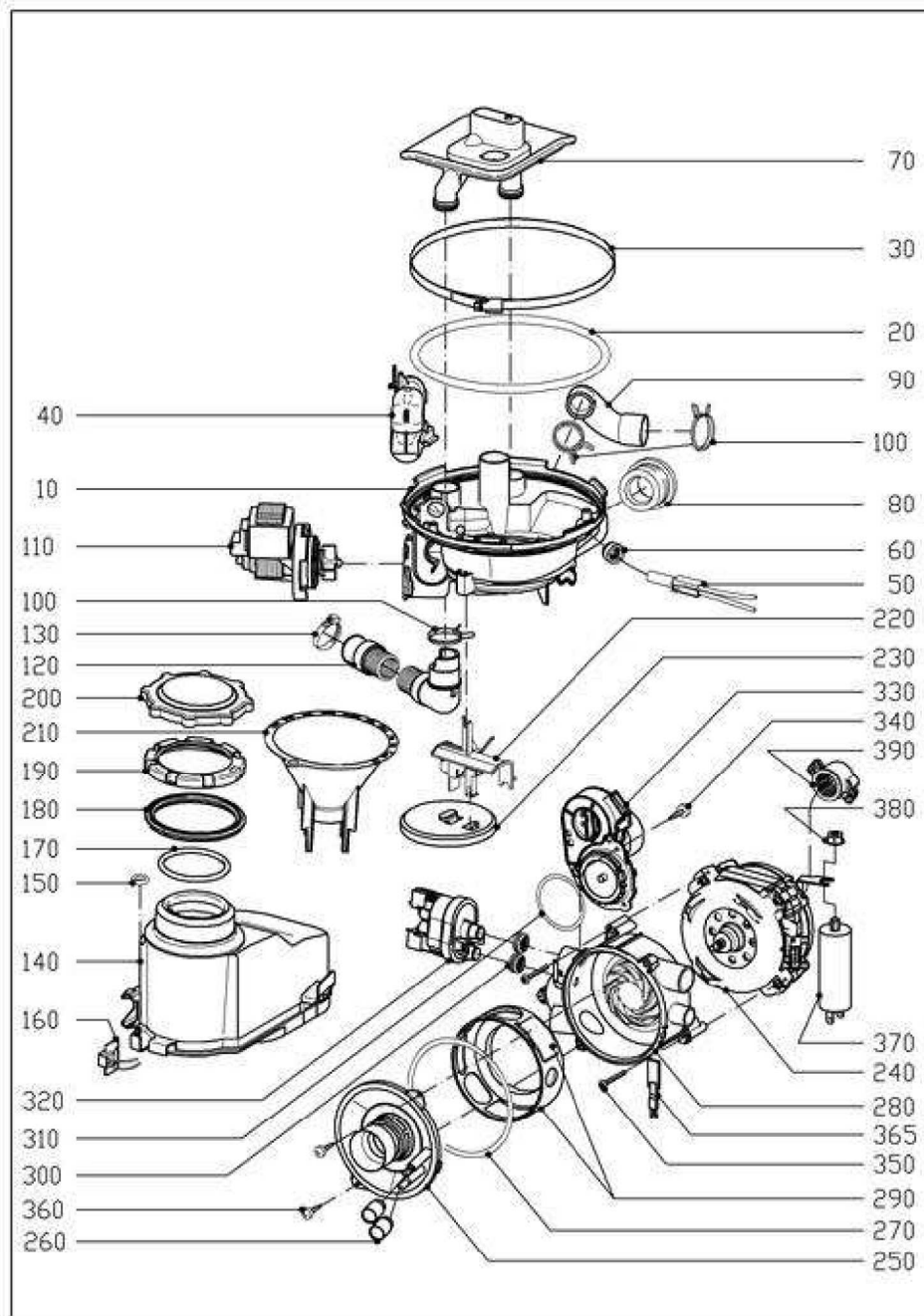
6964360-044

050 Water run Inner cabinet



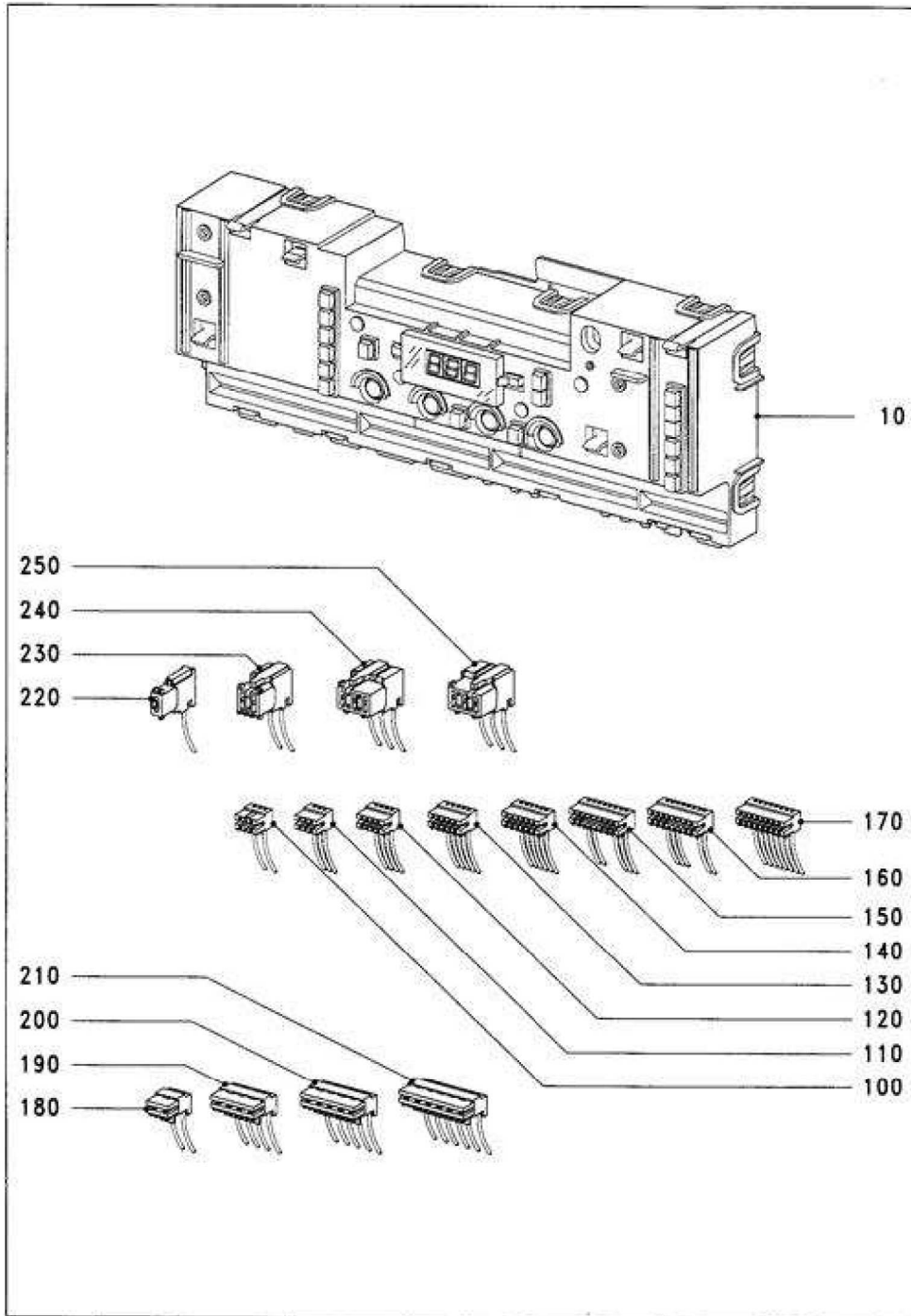
7056540-050

062 Water run Plinth



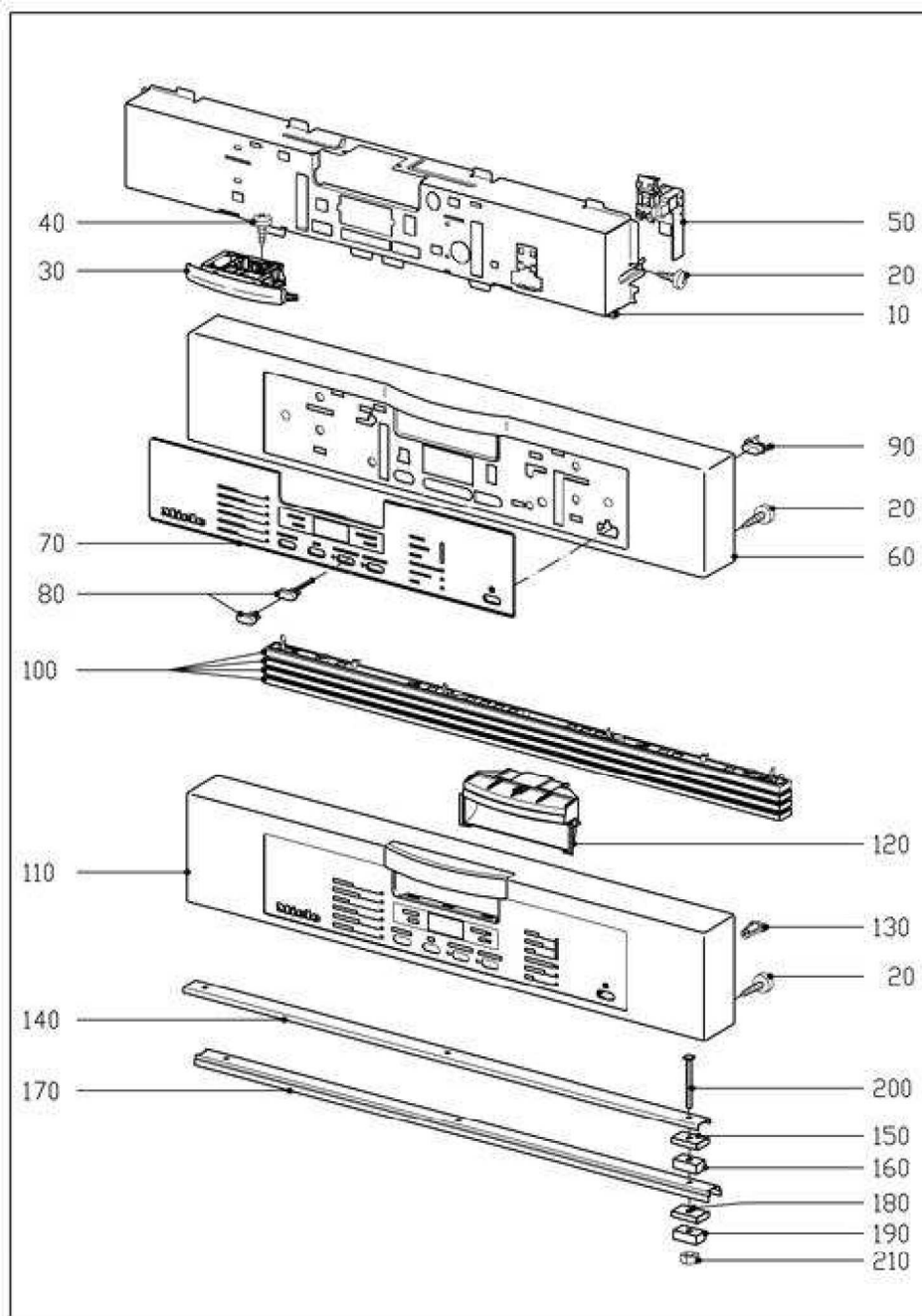
6964360-062

084 Electronic unit, Harness



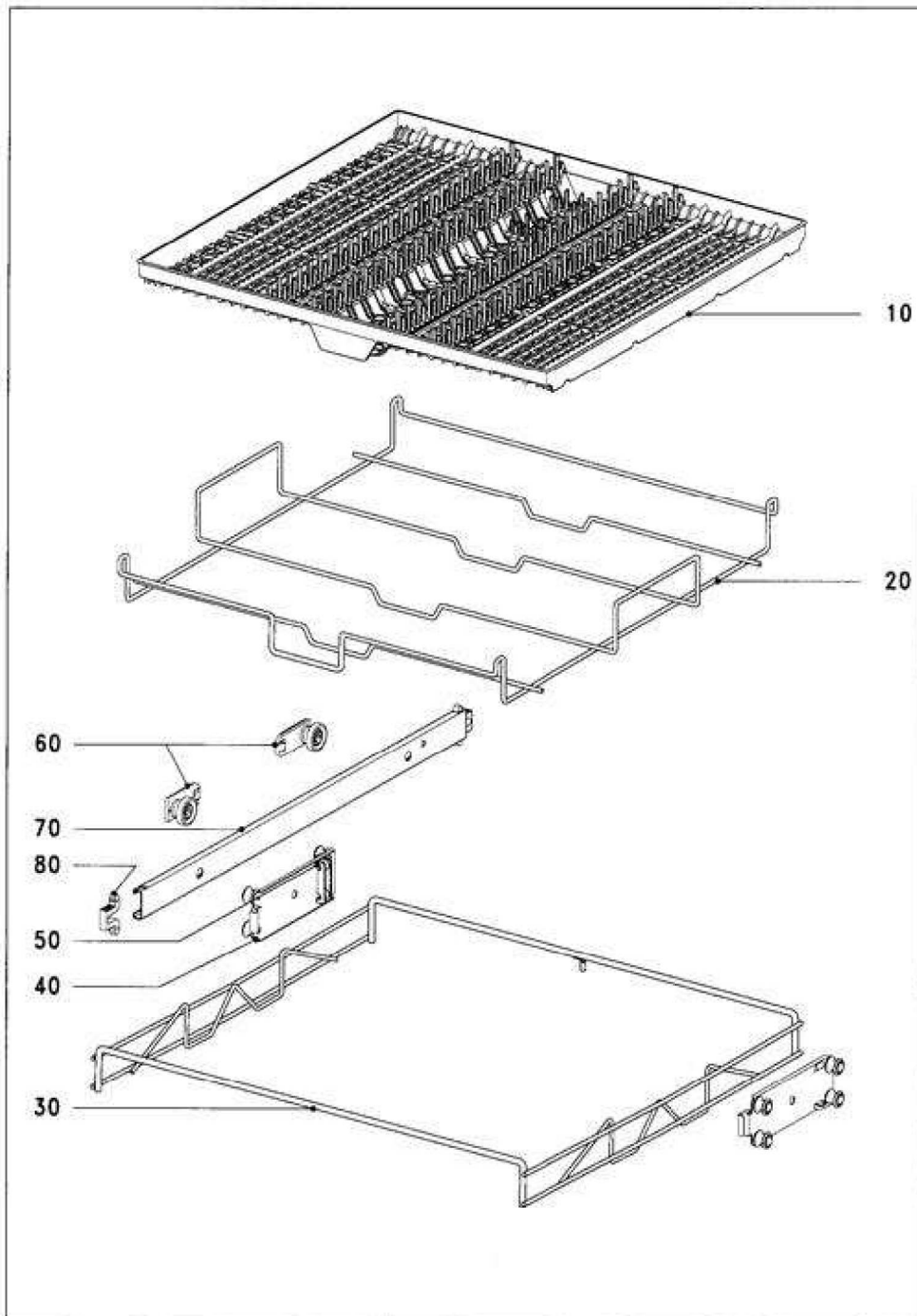
6202250-084

106 Facia panel



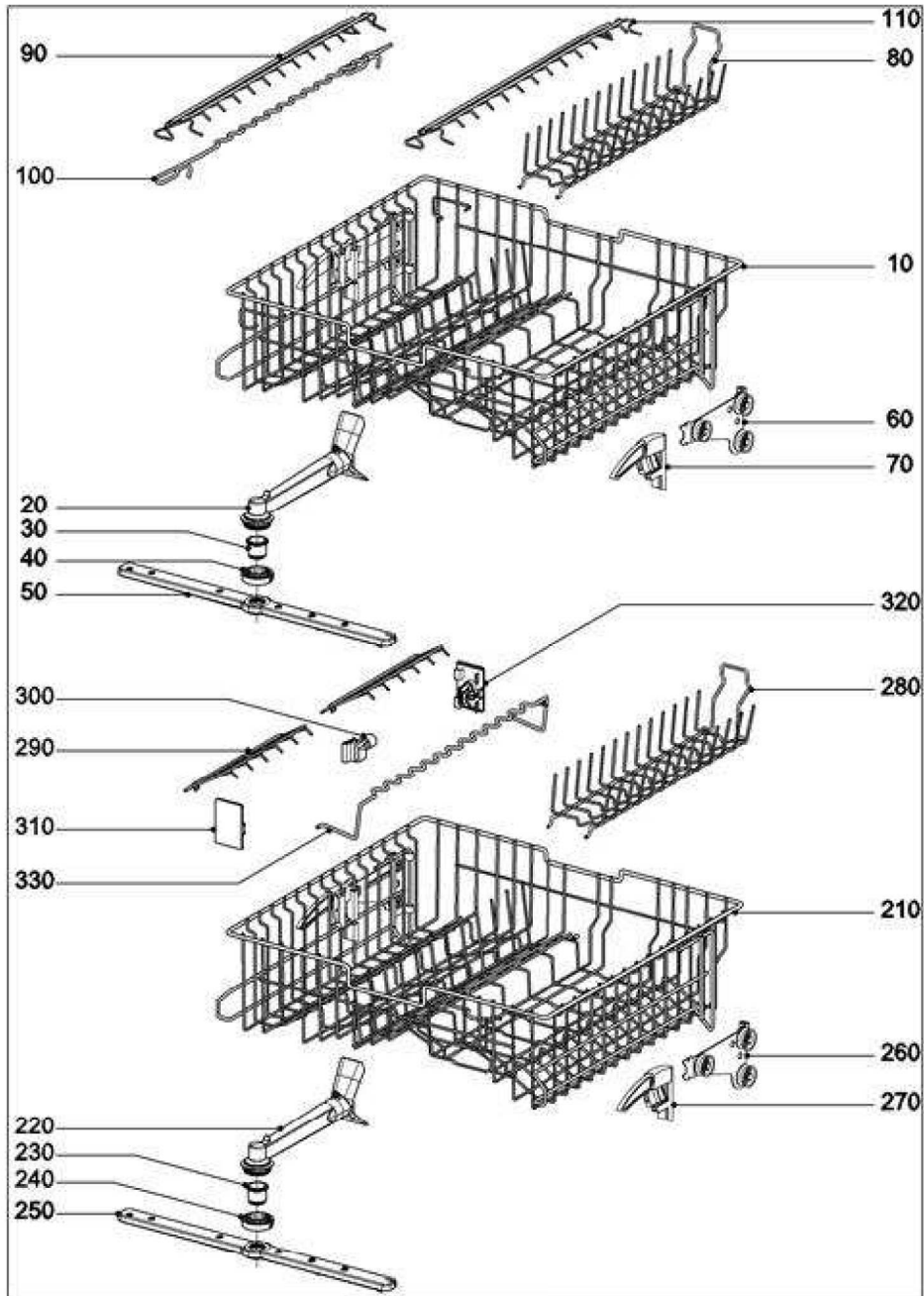
6964360-106

130 Cutlery tray



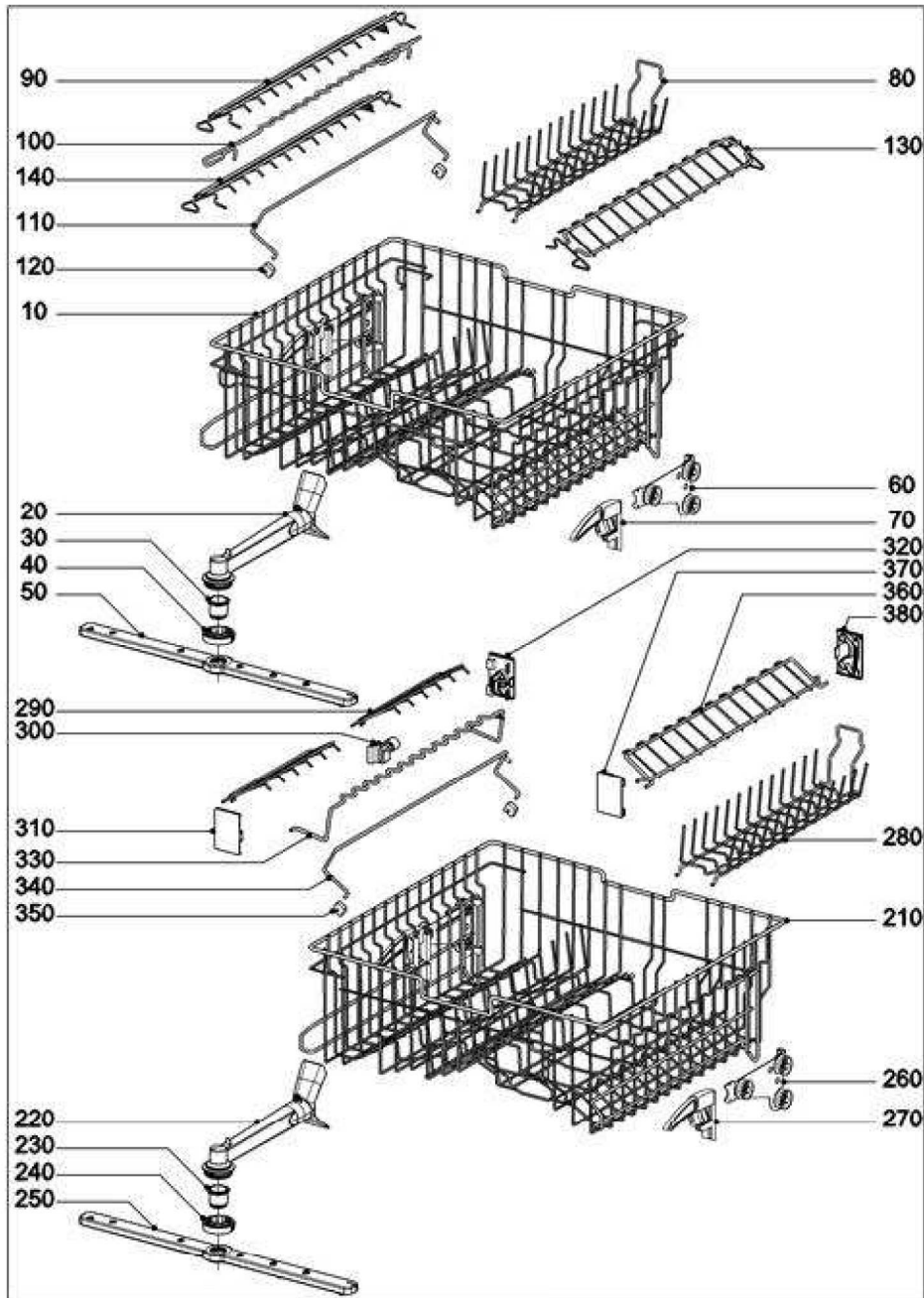
6202320-130

140 Top basket GOK 60.x0



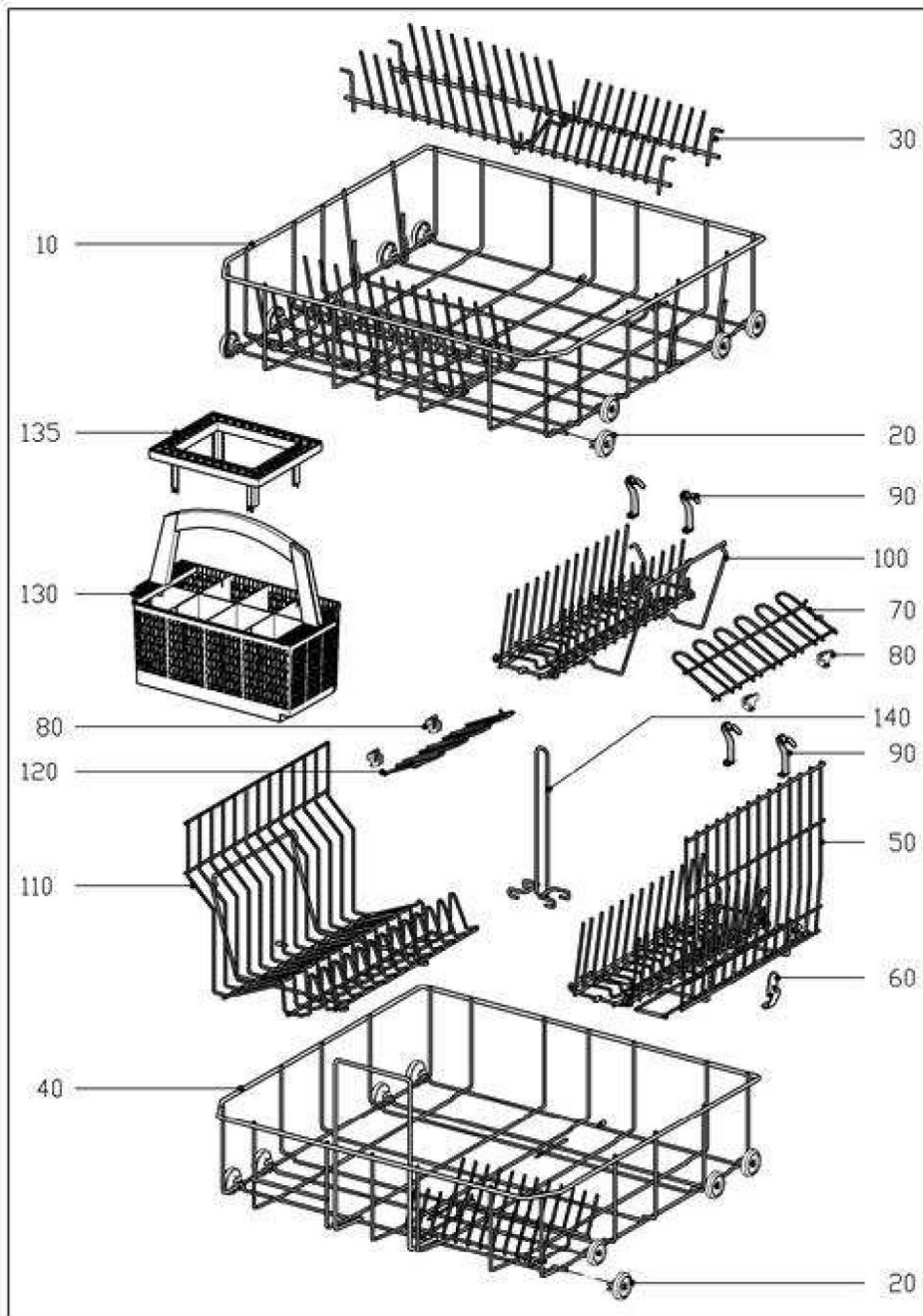
133240

150 Top basket GOK 60.x5



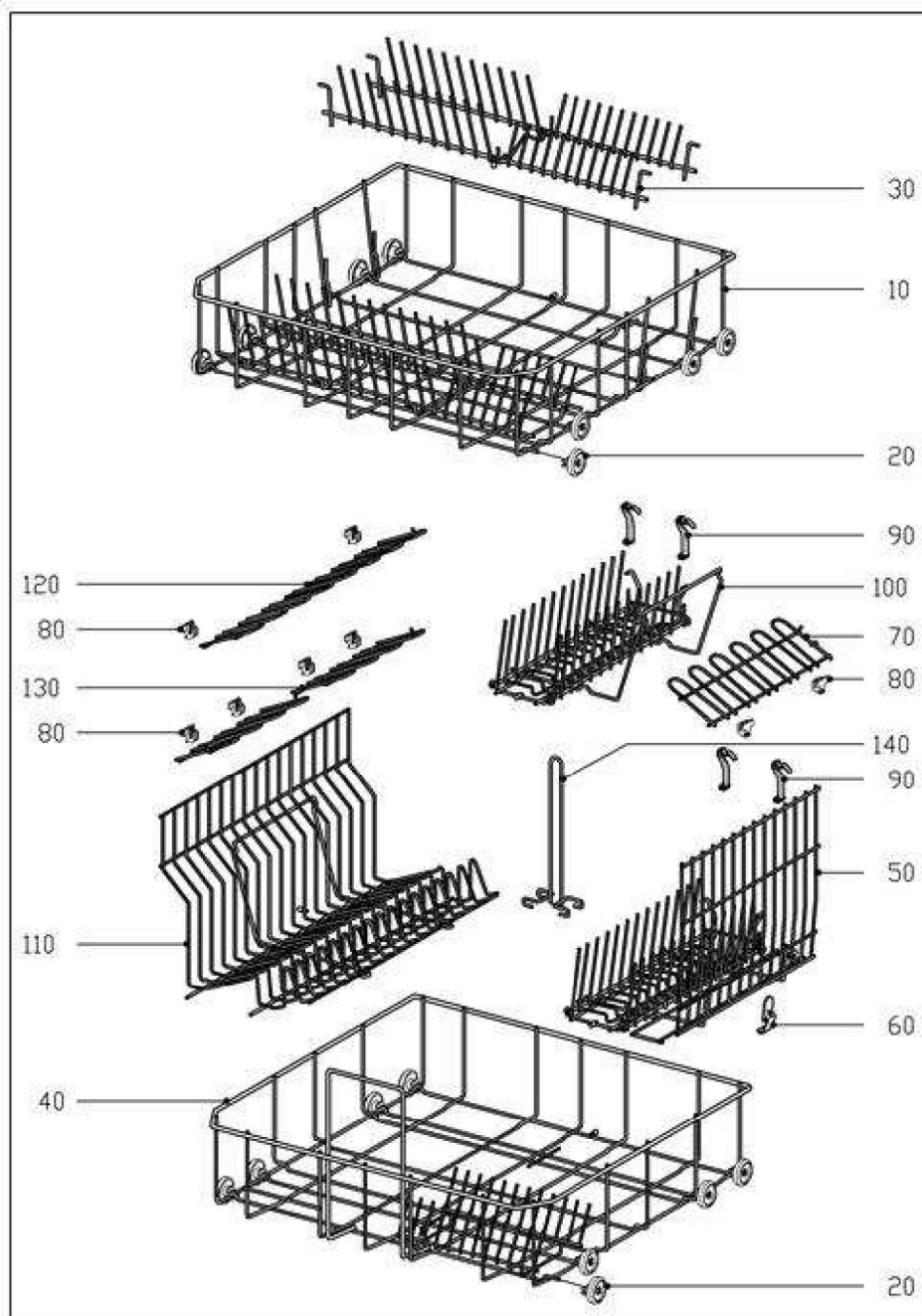
133241

170 Bottom basket GUK 60.xx



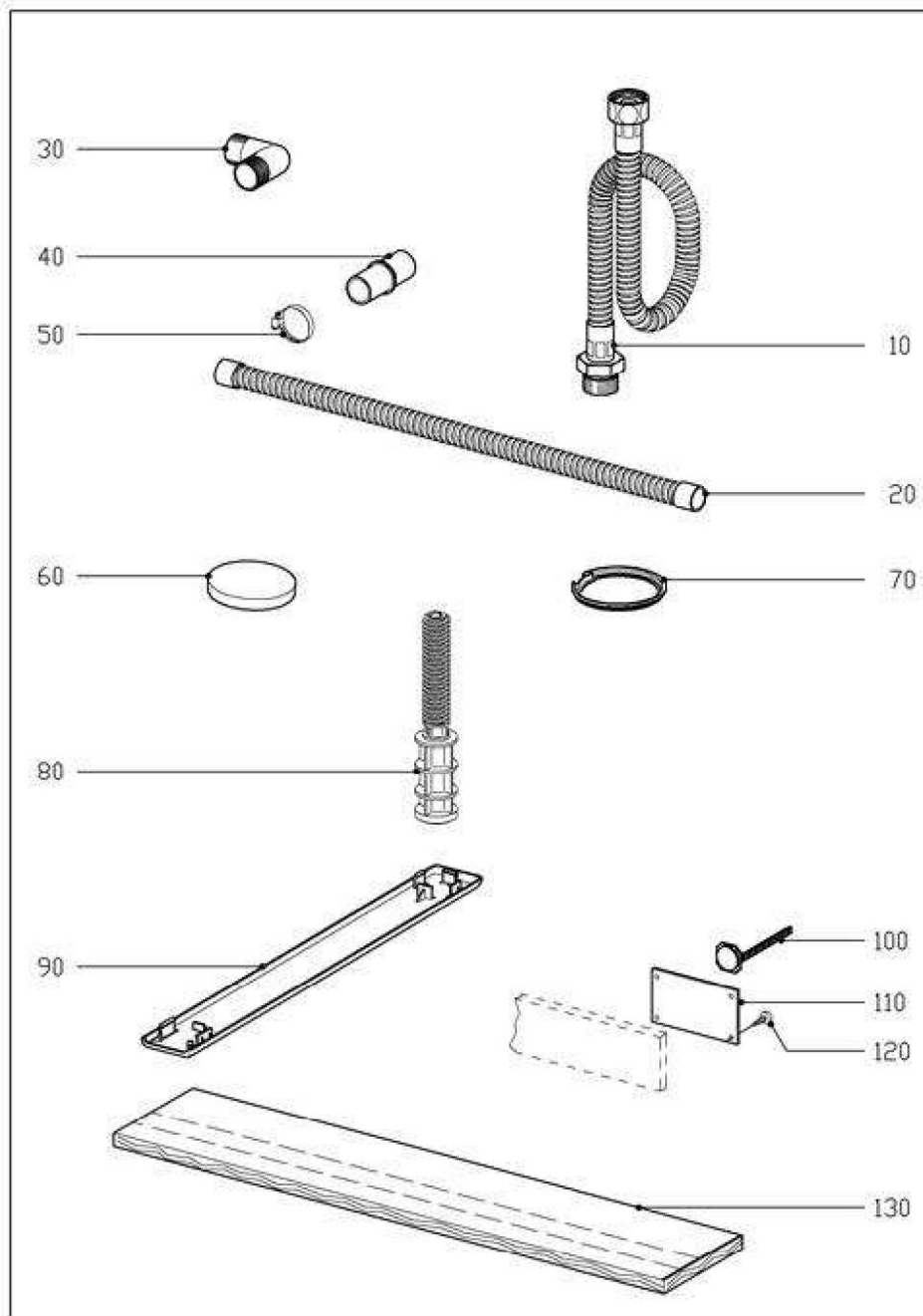
6964360-170

180 Bottom basket GUK 60.xx SC



6964360-180

280 Accessory



6202250-280