

## Explanation

Column	Contents
Pos.	Drawing item number or number range for indicating the Mat. no. of the activated line in the function group drawing.
Mat. no.	Material number of the spare part.
SL	Key field with additional information relevant to the item. The following abbreviations may also be displayed here: <ul style="list-style-type: none"> <li>Z In addition to this spare part, the next-listed part is also required.</li> <li>N This refers to a standard part. Optionally a special part may also be fitted.</li> <li>W This special part can optionally be fitted as an alternative to the standard part.</li> <li>A With regard to this item, the following information must also be noted in relation to this item.</li> </ul>
FT	Entry "***" possible. Then the Mat. no. can be replaced by the Mat. no. of the following item.
Qty.	This column indicates how many of the part in question are fitted at this position in the machine.
UOQ	This shows the unit of quantity.
HZ	The heating type is given here. The following entries are possible: <ul style="list-style-type: none"> <li>EL Electric</li> <li>AG Gas</li> <li>HD High-pressure steam</li> <li>ND Low-pressure steam</li> </ul>
Designation	This column displays the designation of the Mat. no. with a spare part, or information text. If the designation is indented by one space, then this item is part of a sub-assembly but can be ordered separately. Fastenings and earthing parts are indented by two spaces.

---

## Content

Function group overview

010 Casing Freestanding units

014 Casing

020 Door

030 Front panel Freestanding units

034 Front panel Integradet appliance

038 Front panel Built-under units

050 Inner cabinet

090 Water run Inner cabinet

100 Water run Plinth

130 Electronic unit Harness

150 Fascia panel

190 Cutlery tray

200 Top basket GOK 5xx0

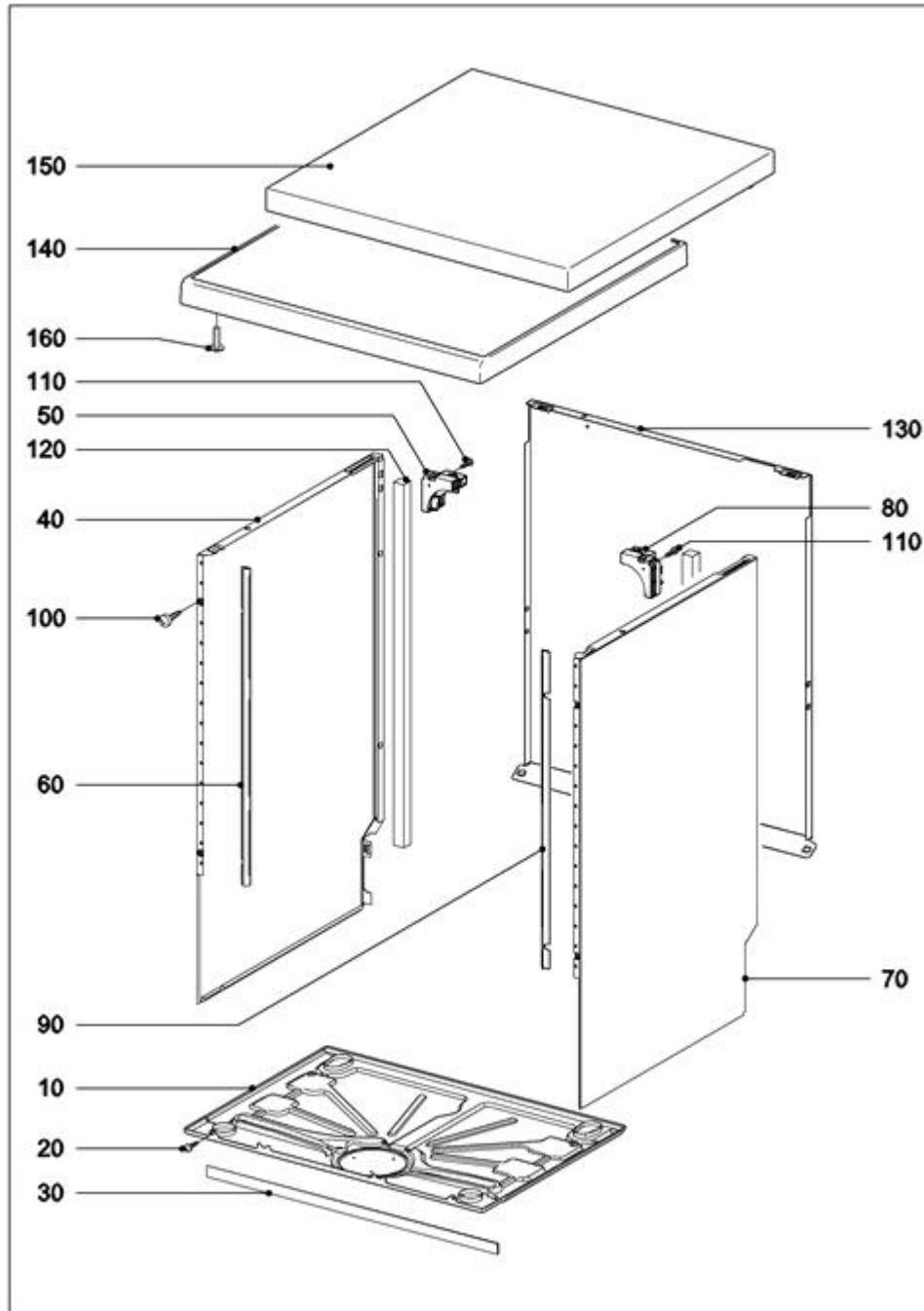
201 Top basket GOK 5xx5

210 Bottom basket GUK 5xxx

900 Packaging

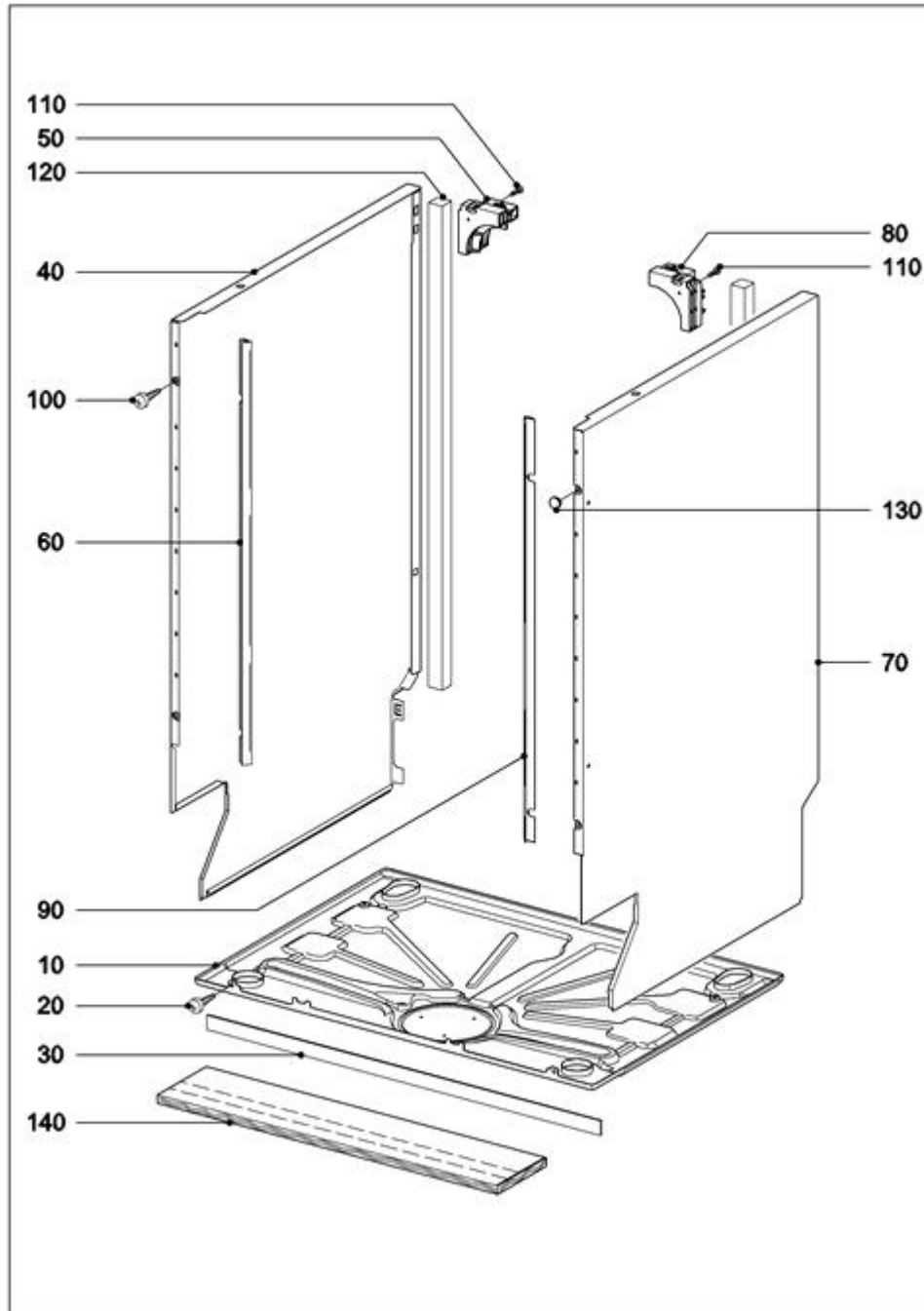
No.	Function group
010	Casing Freestanding units
014	Casing
020	Door
030	Front panel Freestanding units
034	Front panel Integradet appliance
038	Front panel Built-under units
050	Inner cabinet
090	Water run Inner cabinet
100	Water run Plinth
130	Electronic unit Harness
150	Fascia panel
190	Cutlery tray
200	Top basket GOK 5xx0
201	Top basket GOK 5xx5
210	Bottom basket GUK 5xxx
900	Packaging

**010 Casing Freestanding units**



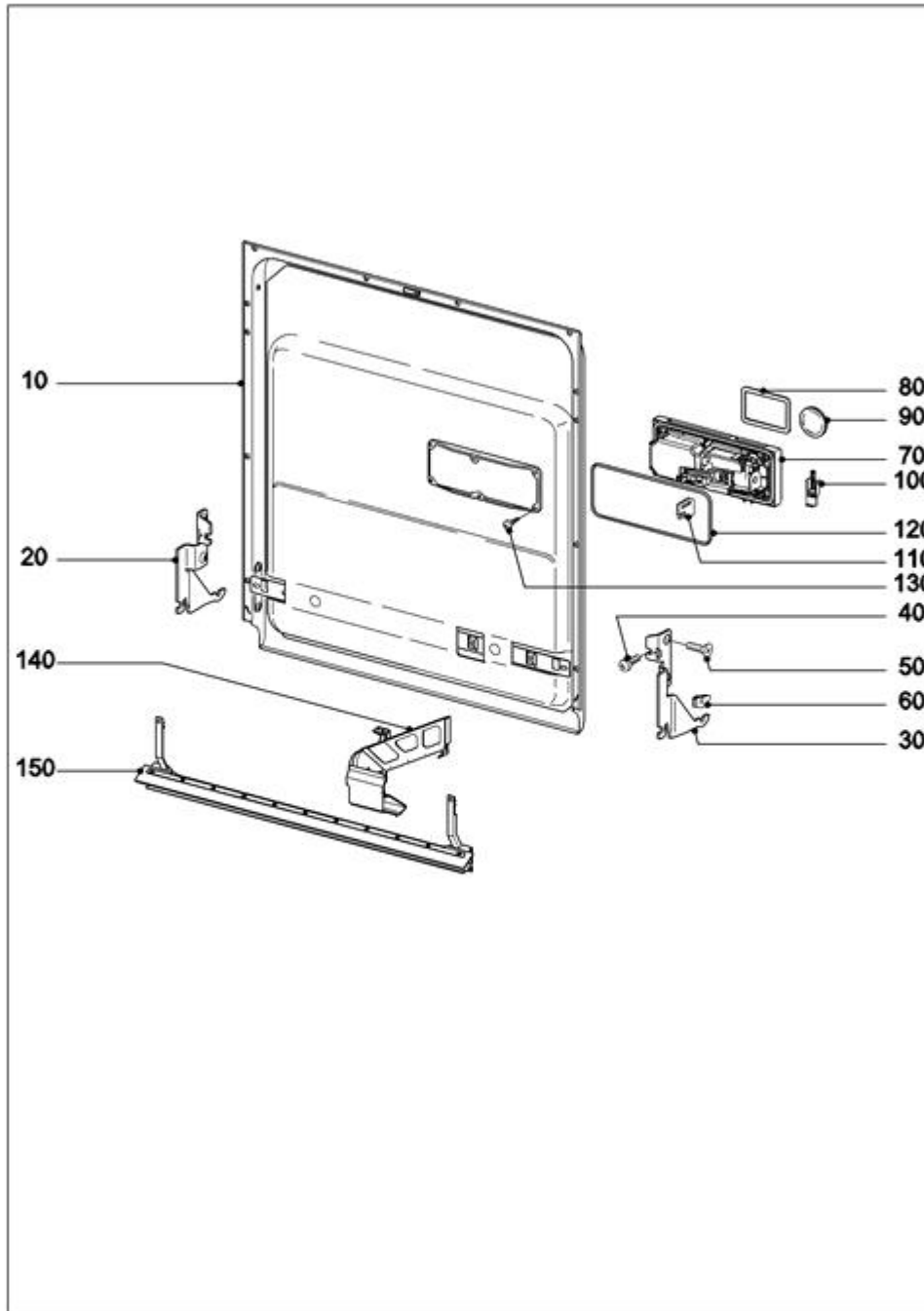
142998

**014 Casing**



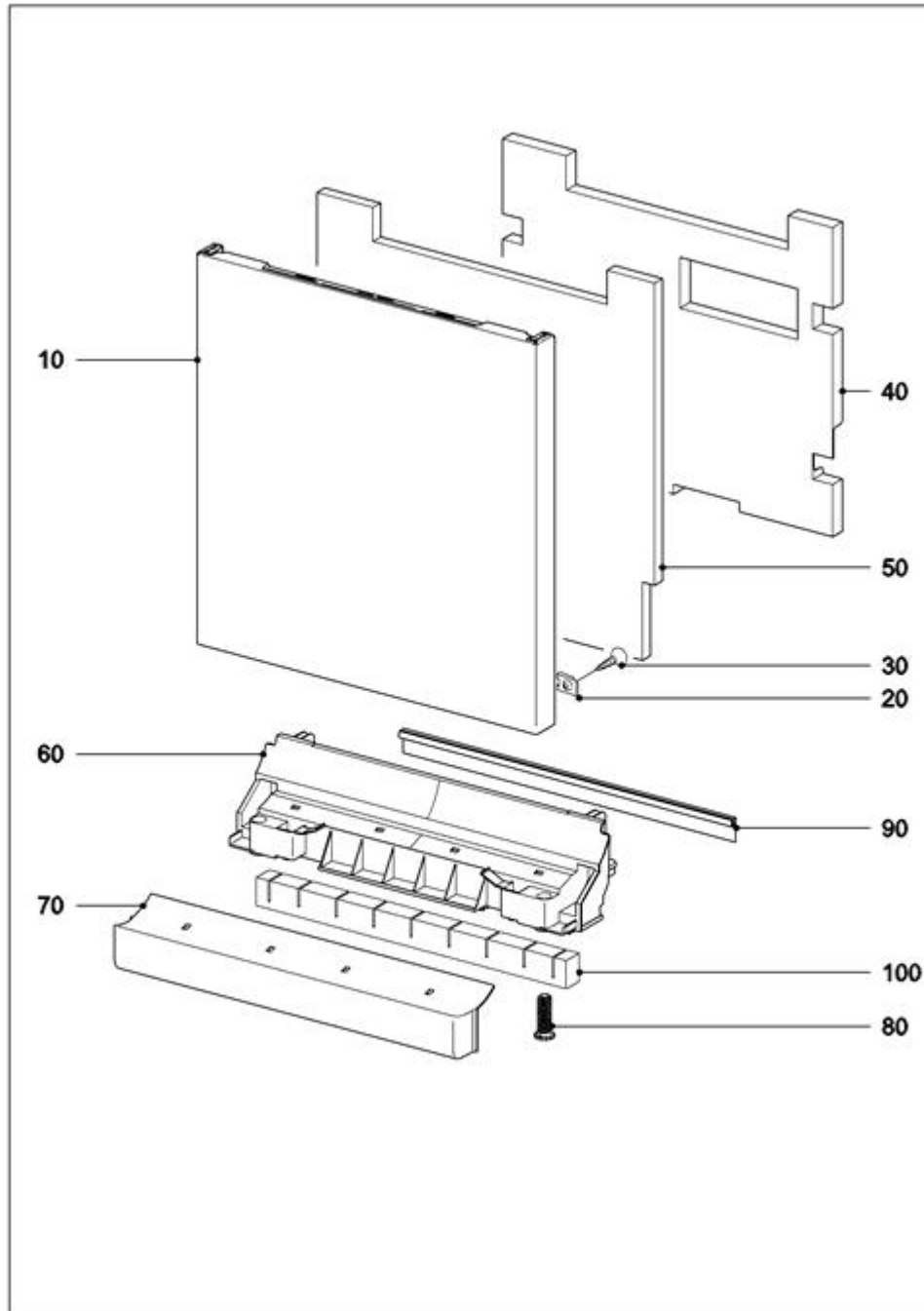
143000

**020 Door**



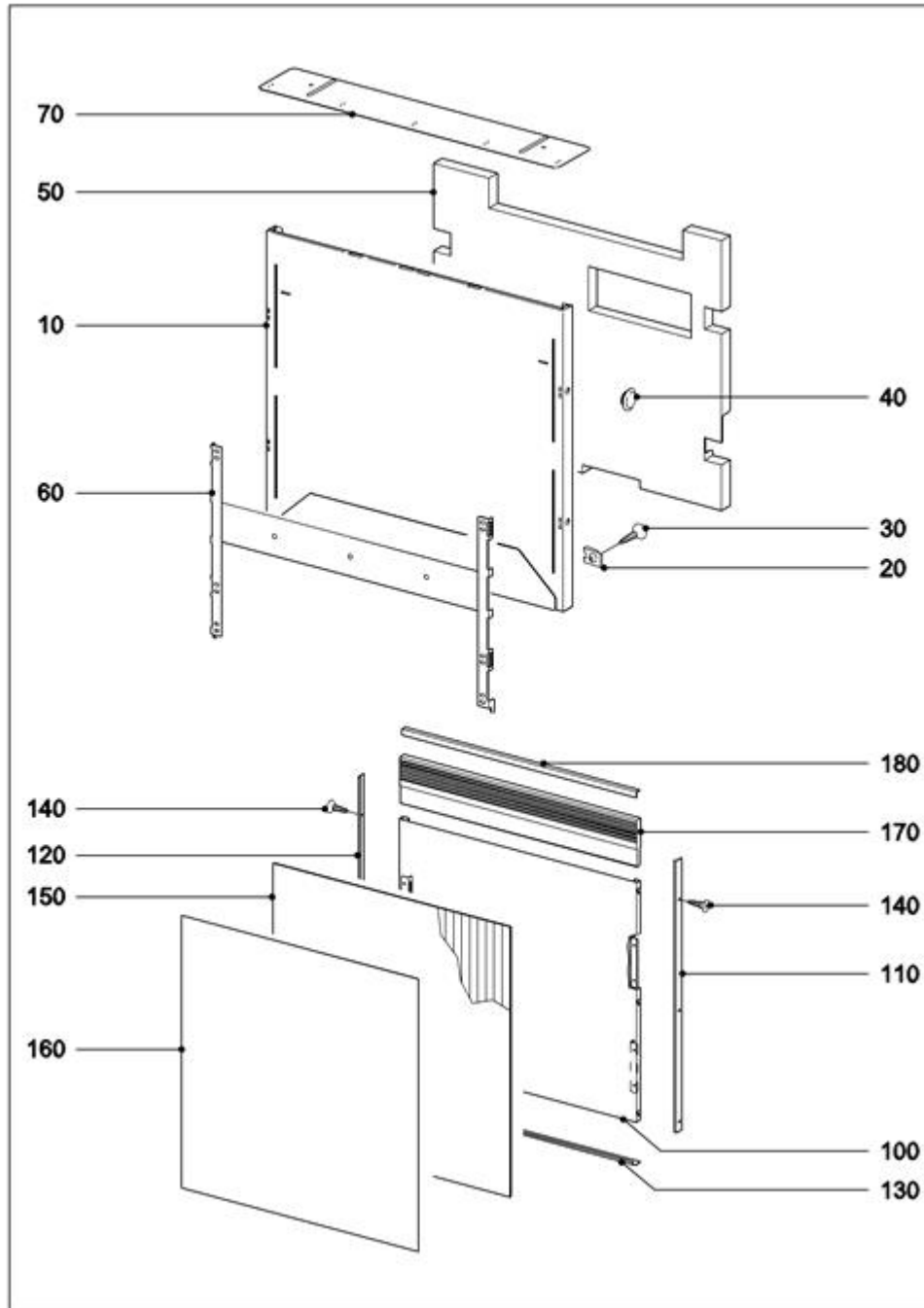
143003

**030 Front panel Freestanding units**



143009

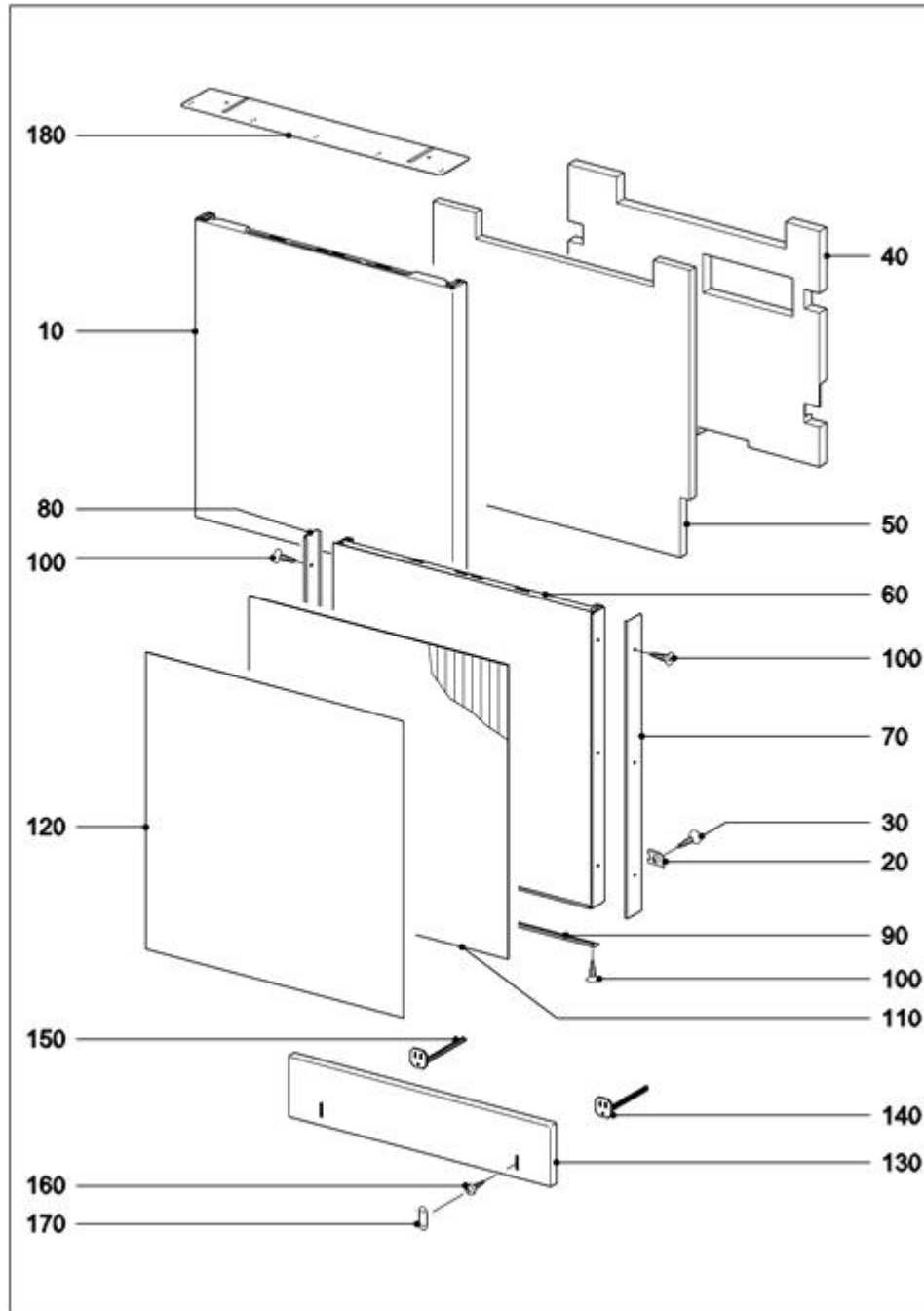
**034 Front panel Integradet appliance**



143011

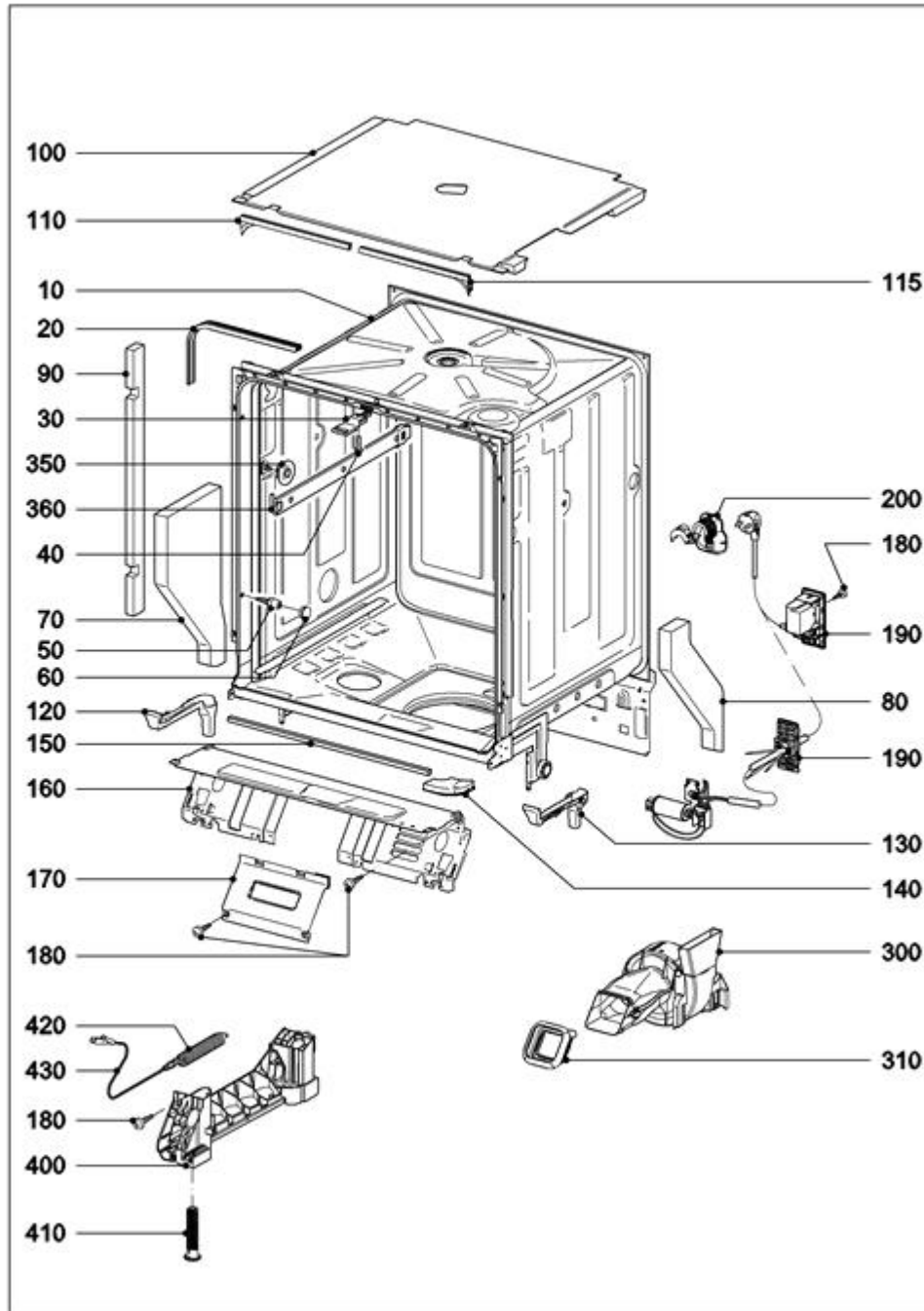


**038 Front panel Built-under units**



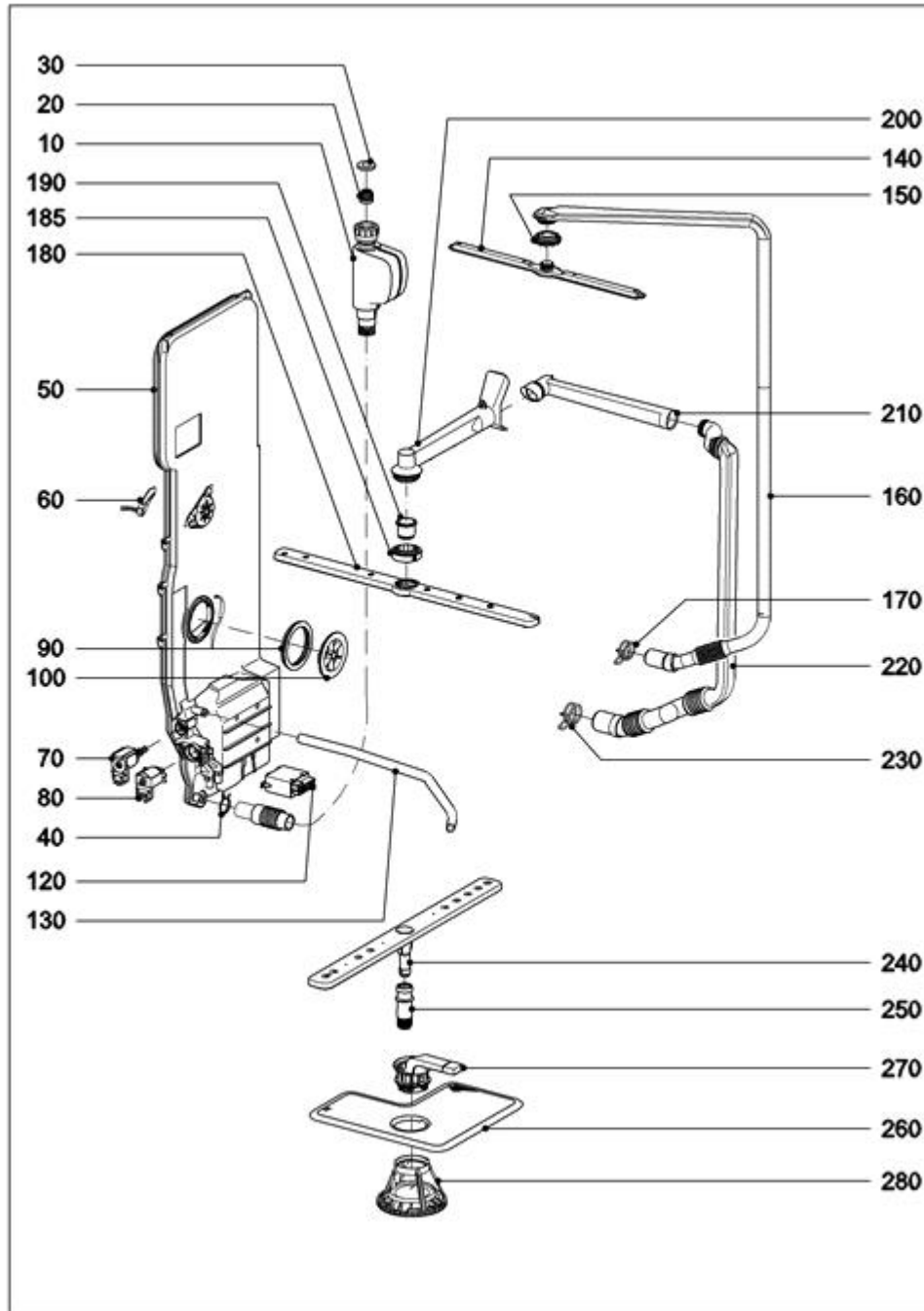
143014

**050 Inner cabinet**



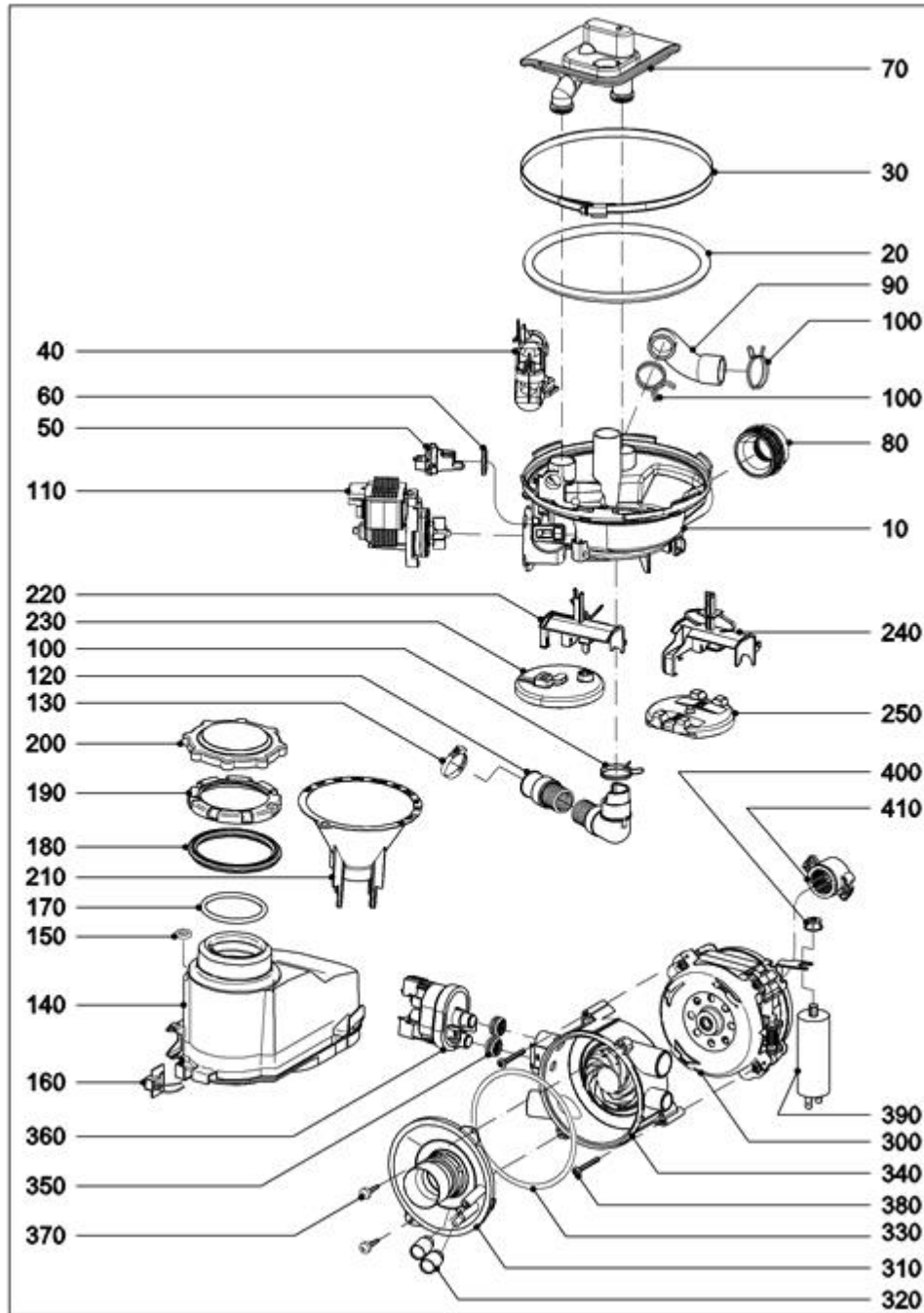
152790

**090 Water run Inner cabinet**



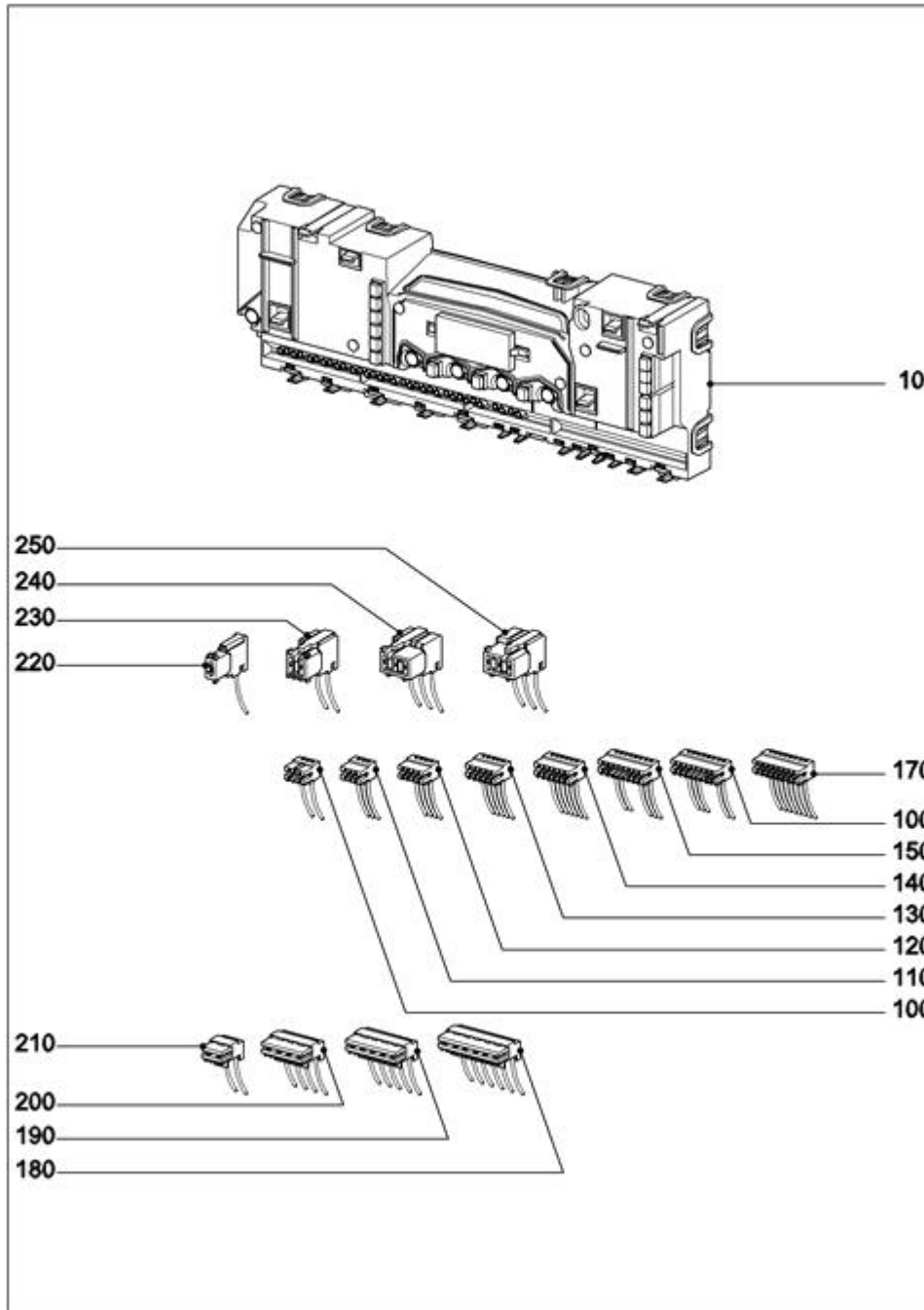
152792

**100 Water run Plinth**



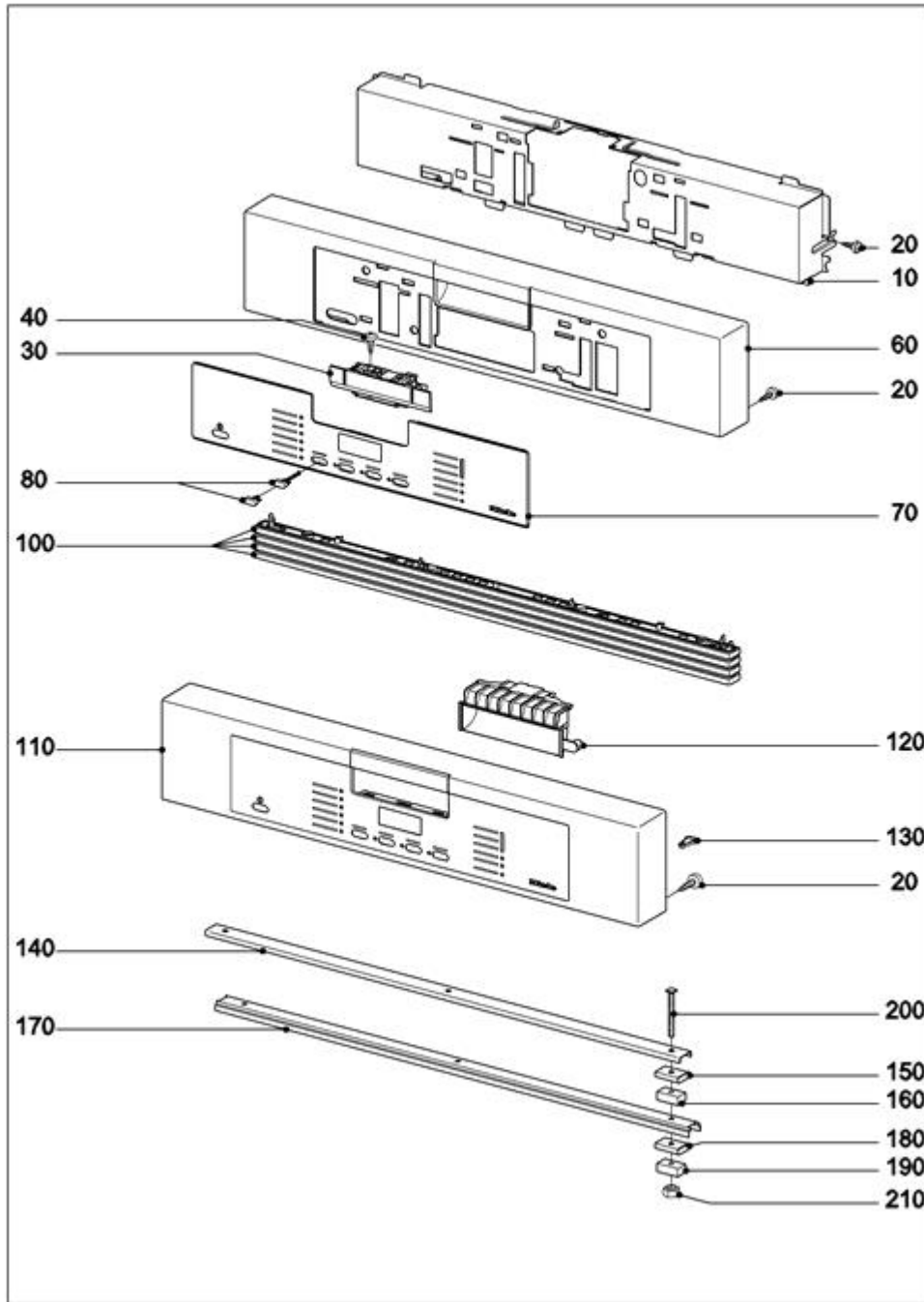
157068

**130 Electronic unit Harness**



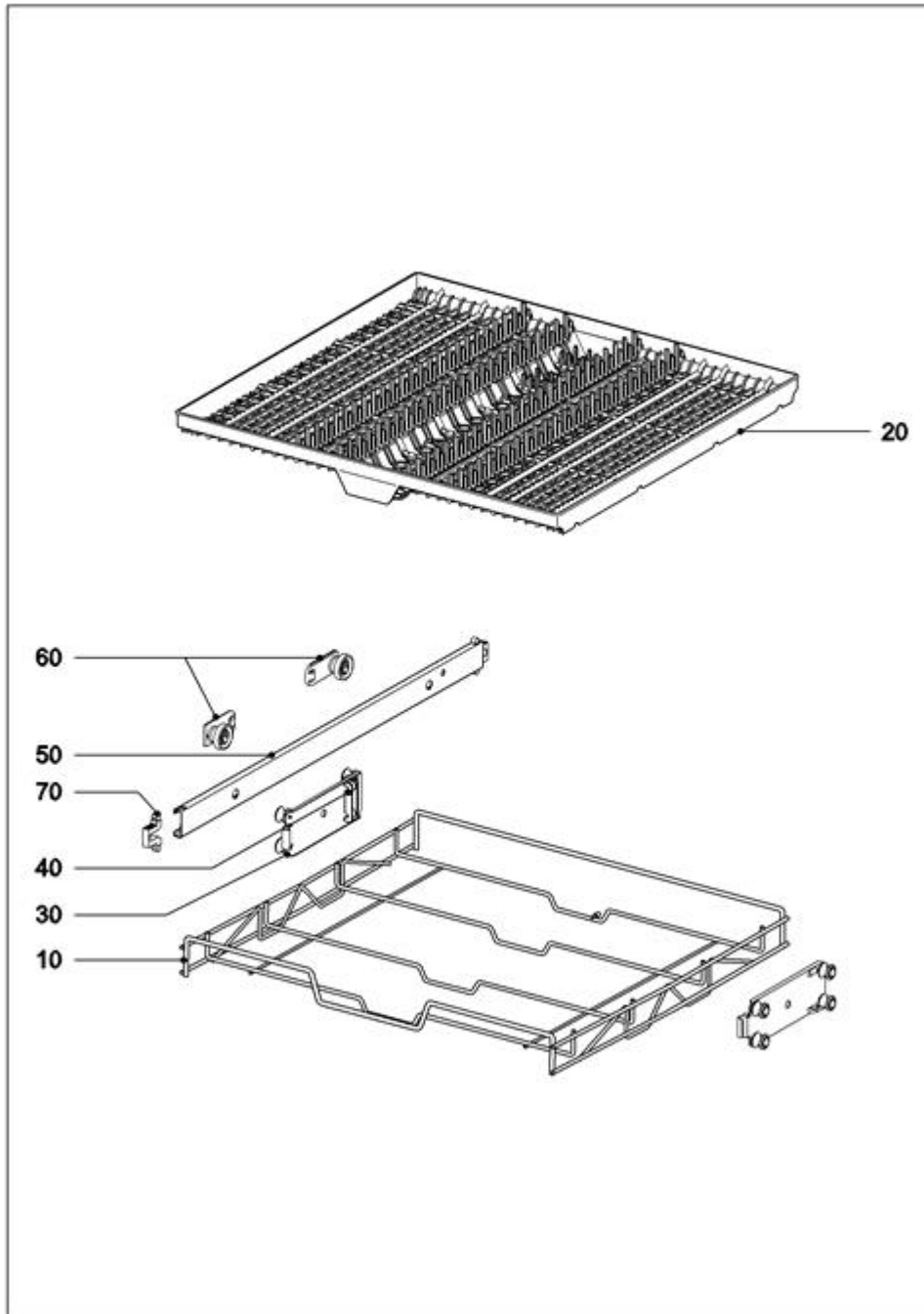
143044

**150 Fascia panel**



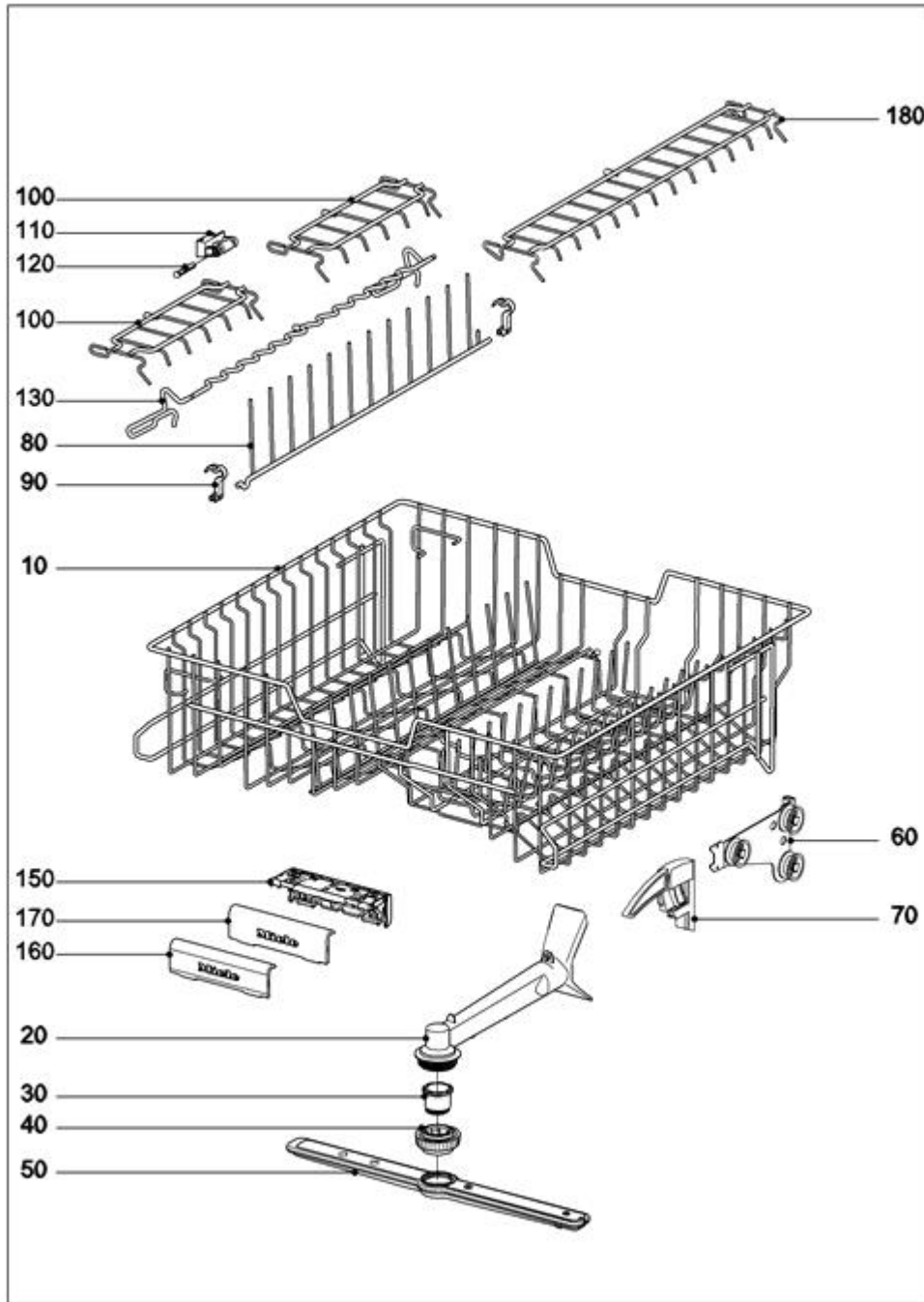
143057

**190 Cutlery tray**



143077

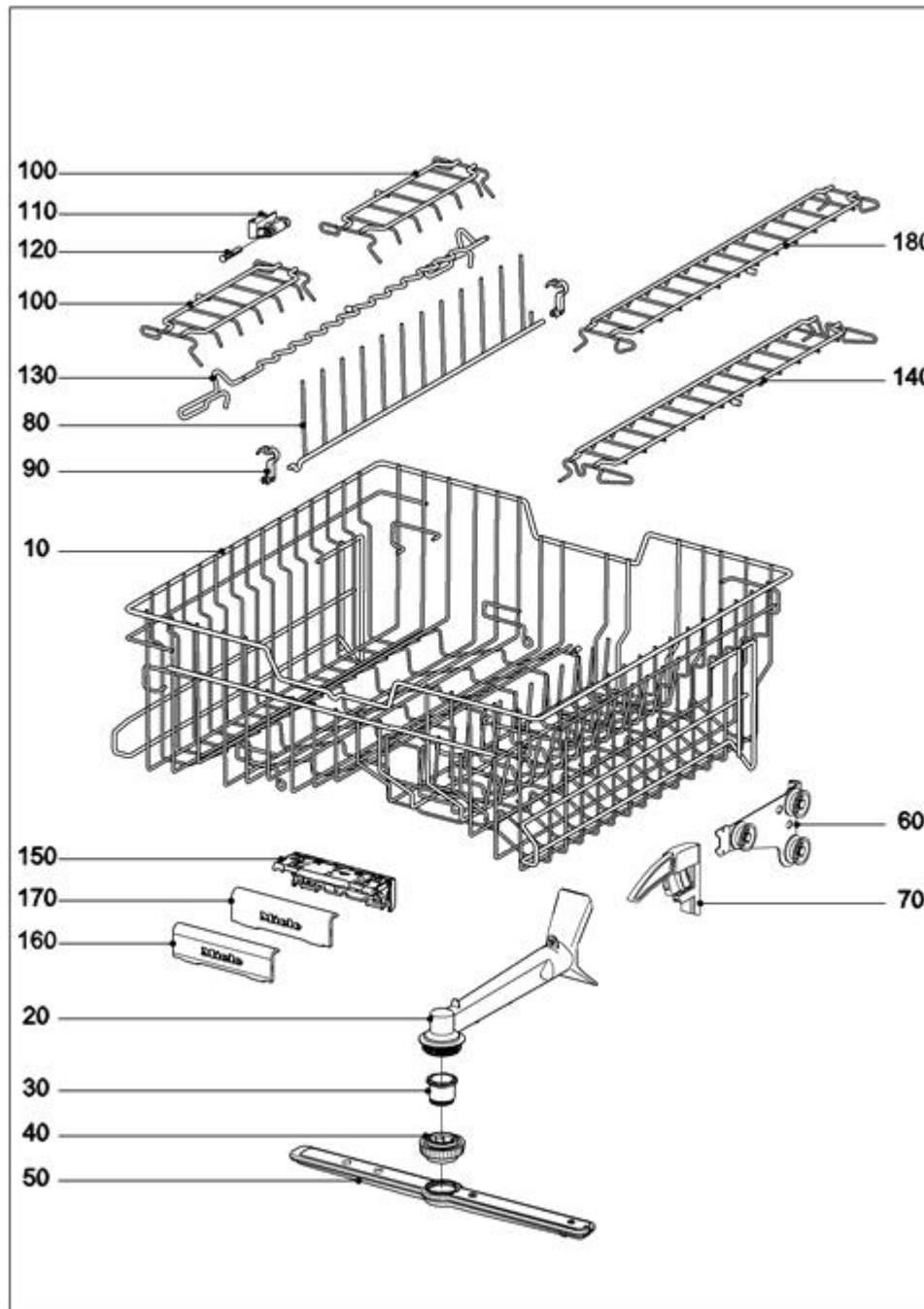
**200 Top basket GOK 5xx0**



143080

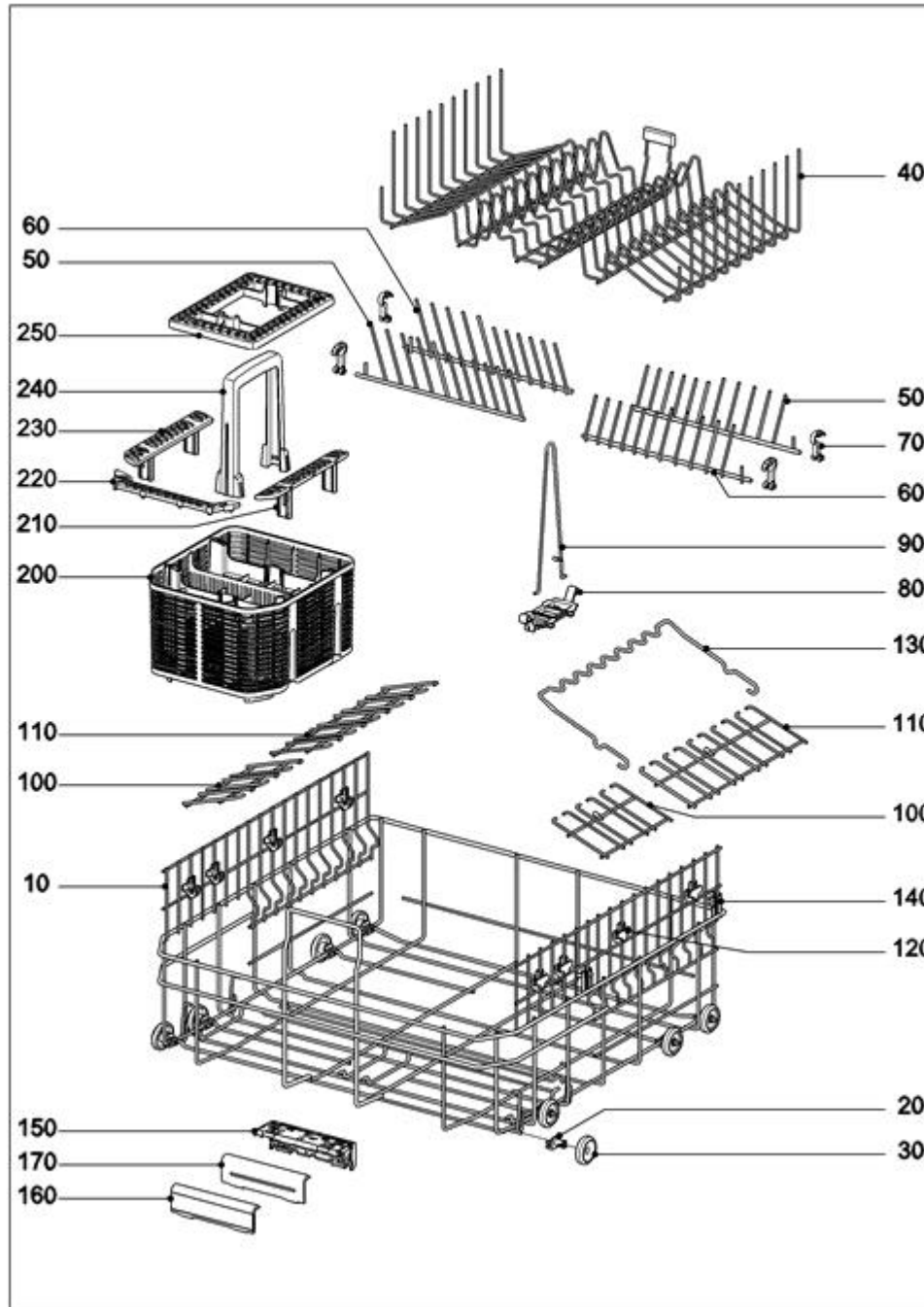


**201 Top basket GOK 5xx5**



143081

**210 Bottom basket GUK 5xxx**



143082

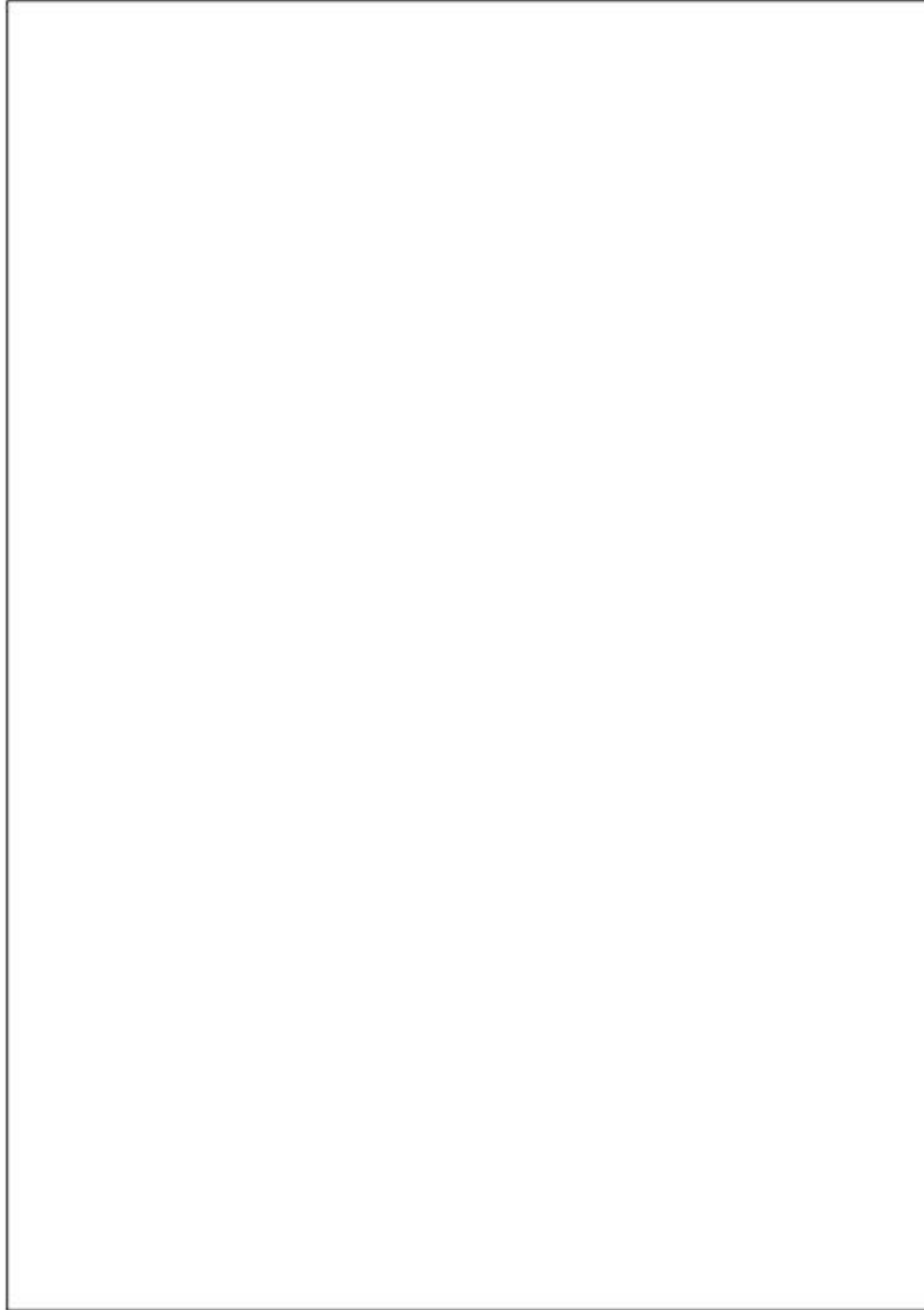


Dishwashers  
G4212

EN/Germany

18.08.2021  
© Miele & Cie. KG 2021

**900 Packaging**



XXXXXXXX-XXX