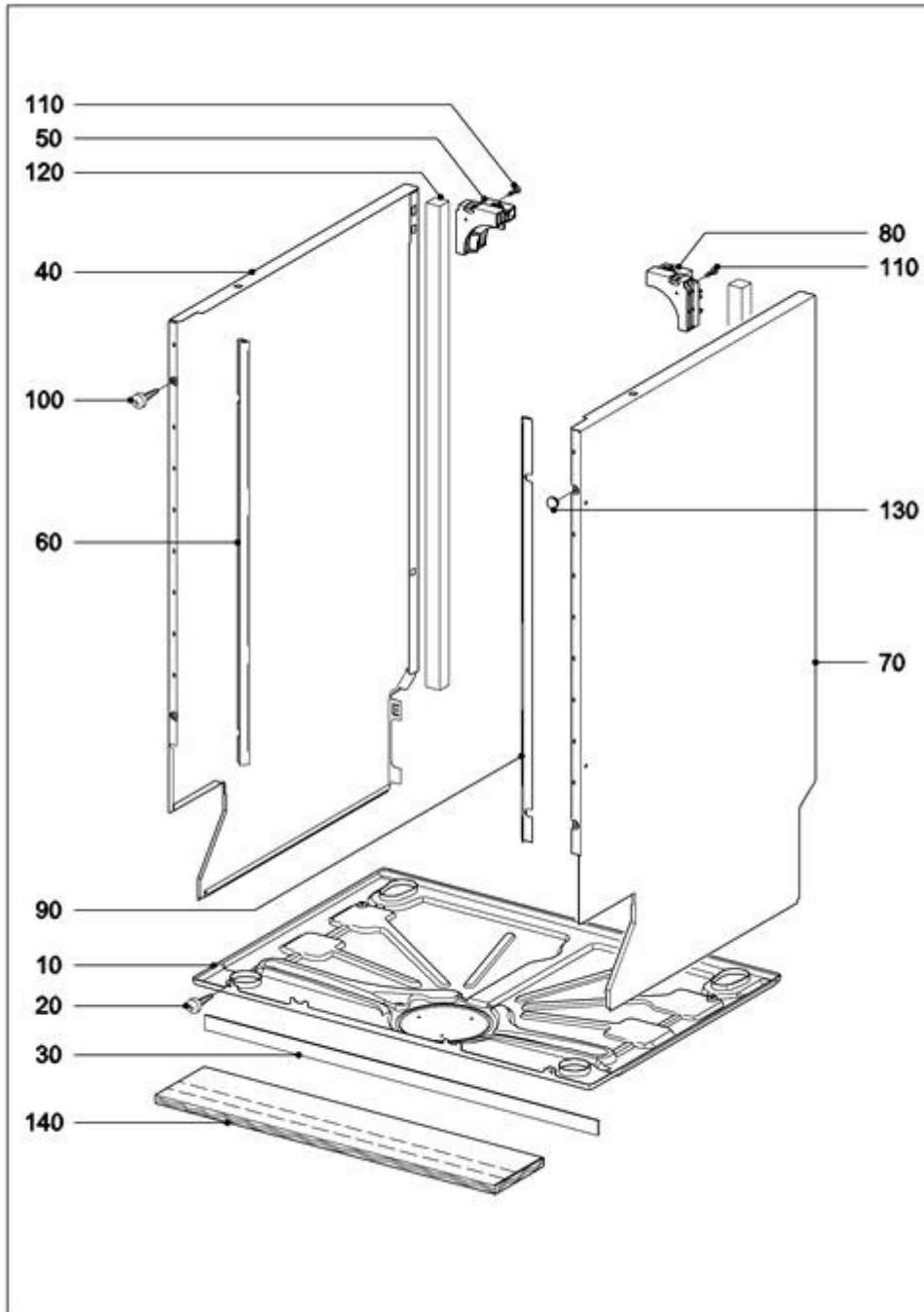
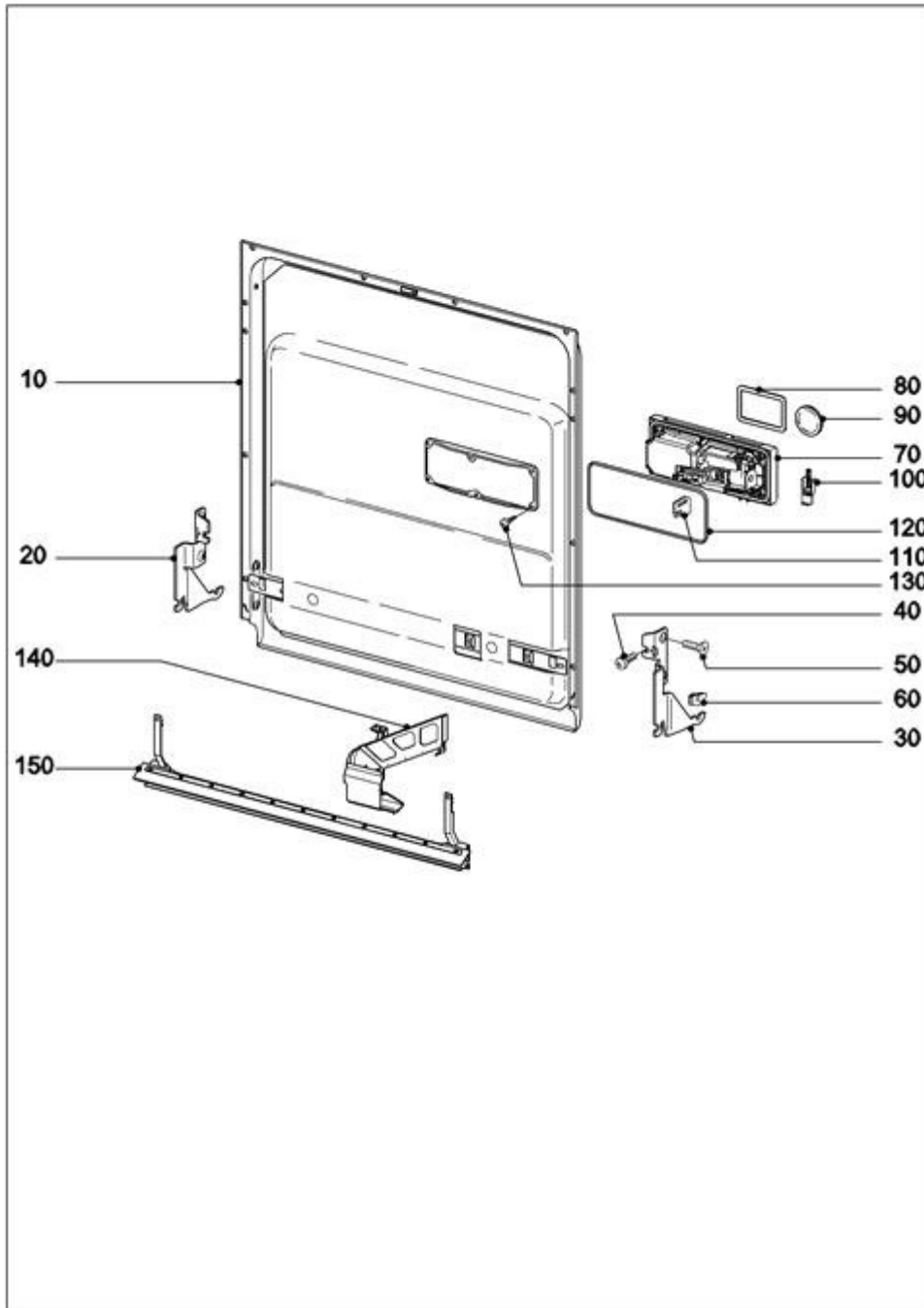


**015 Caseing**



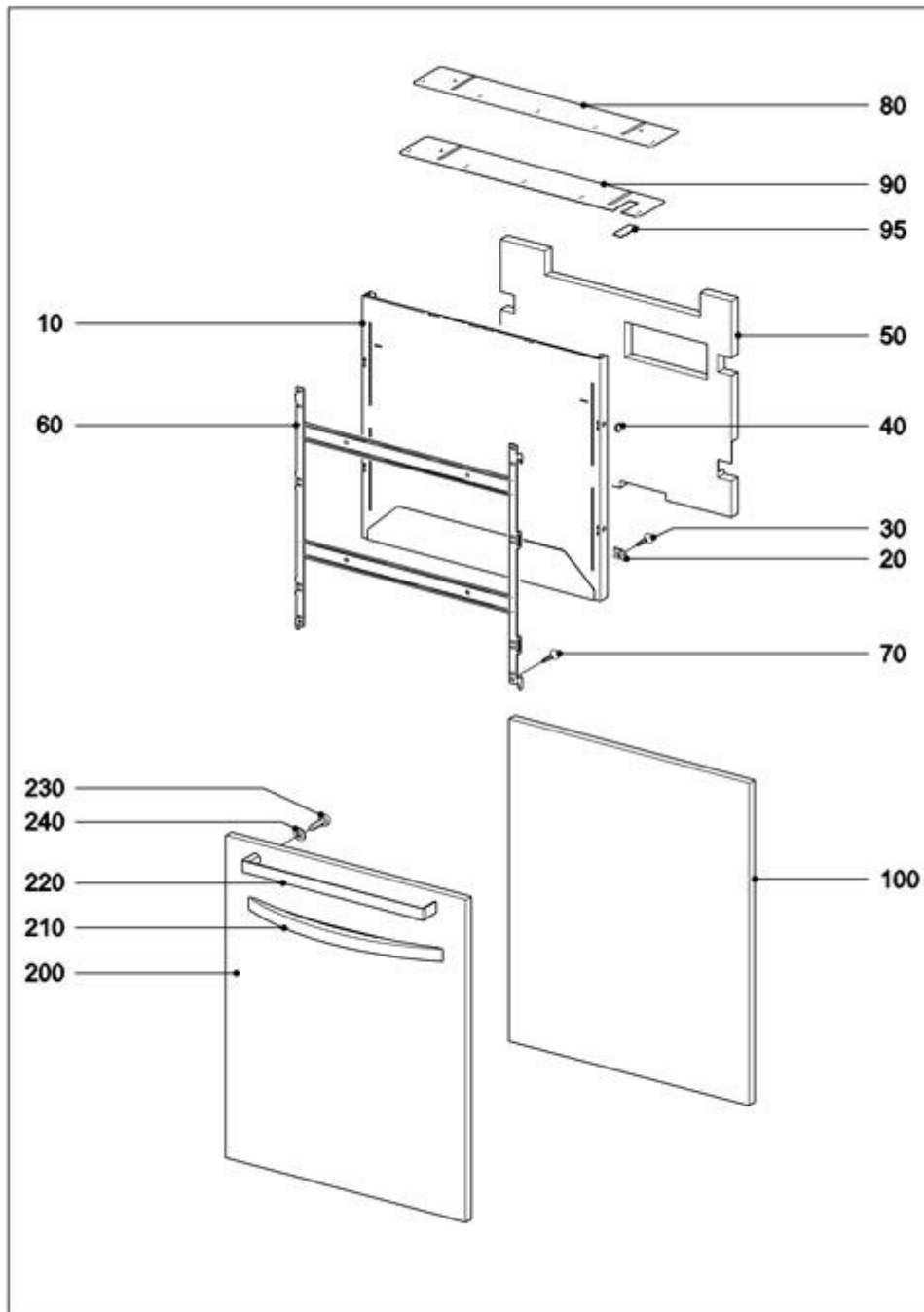
143000

**021 Door**



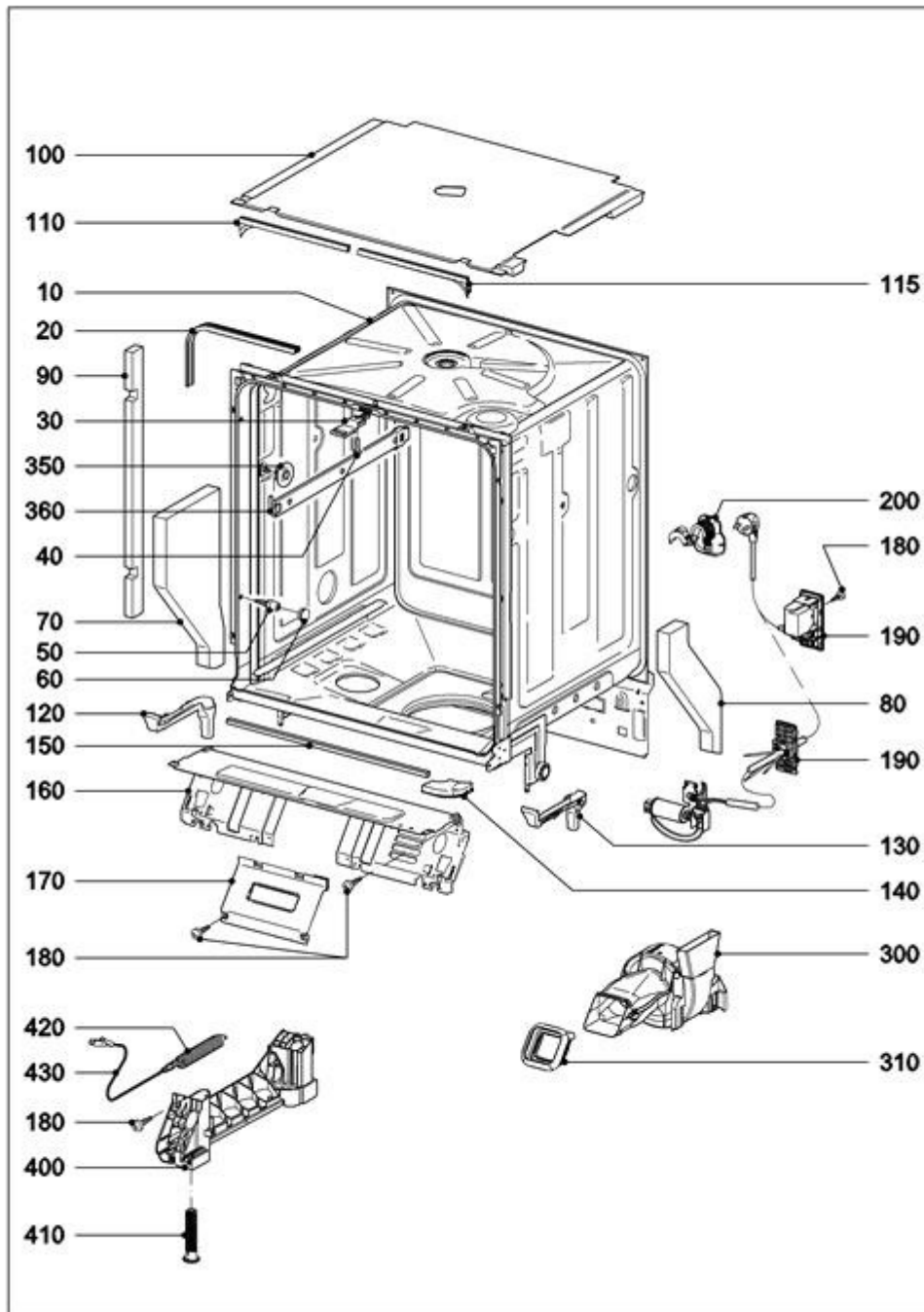
143003

**043 Front panel**



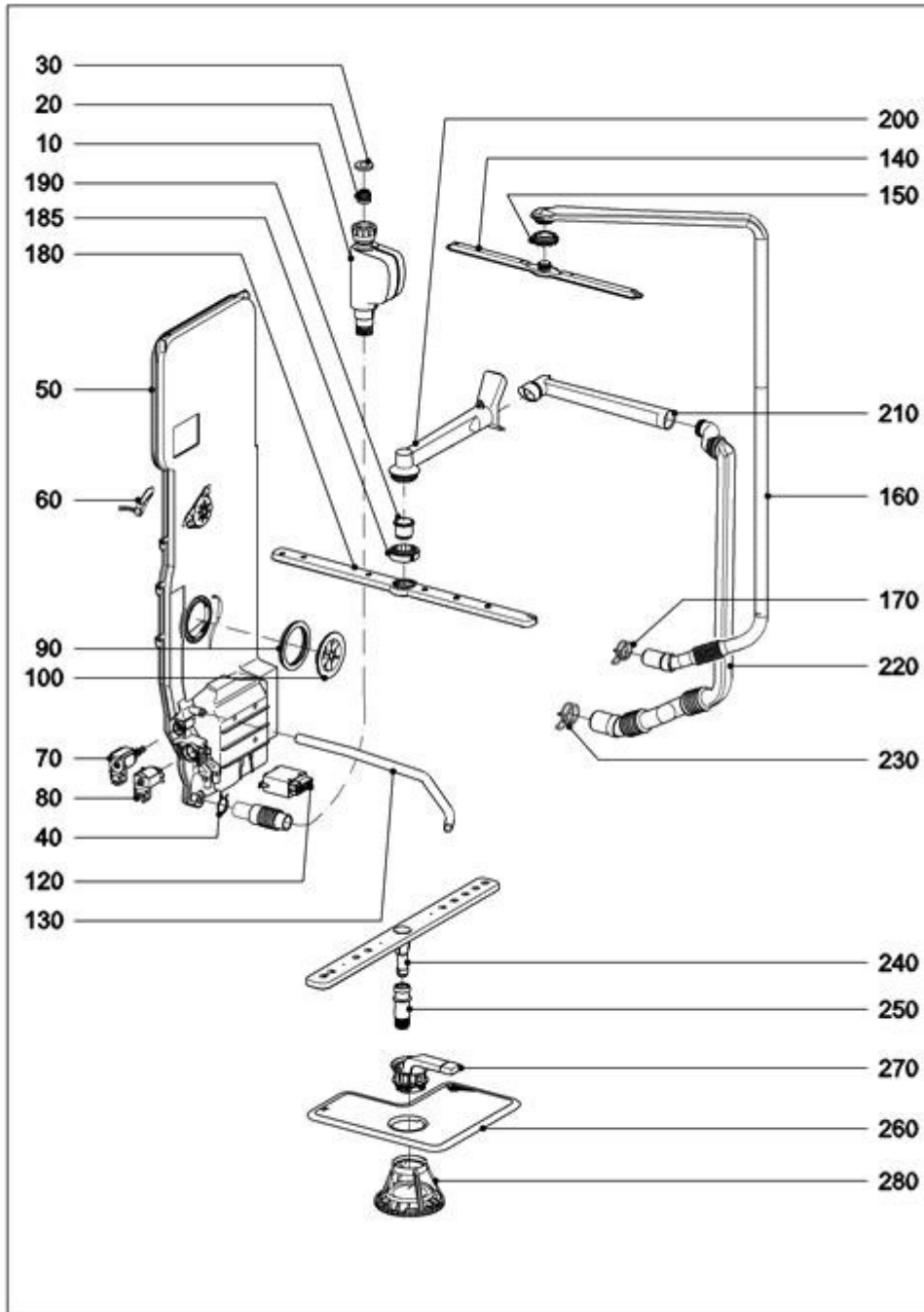
143017

## 051 Inner cabinet



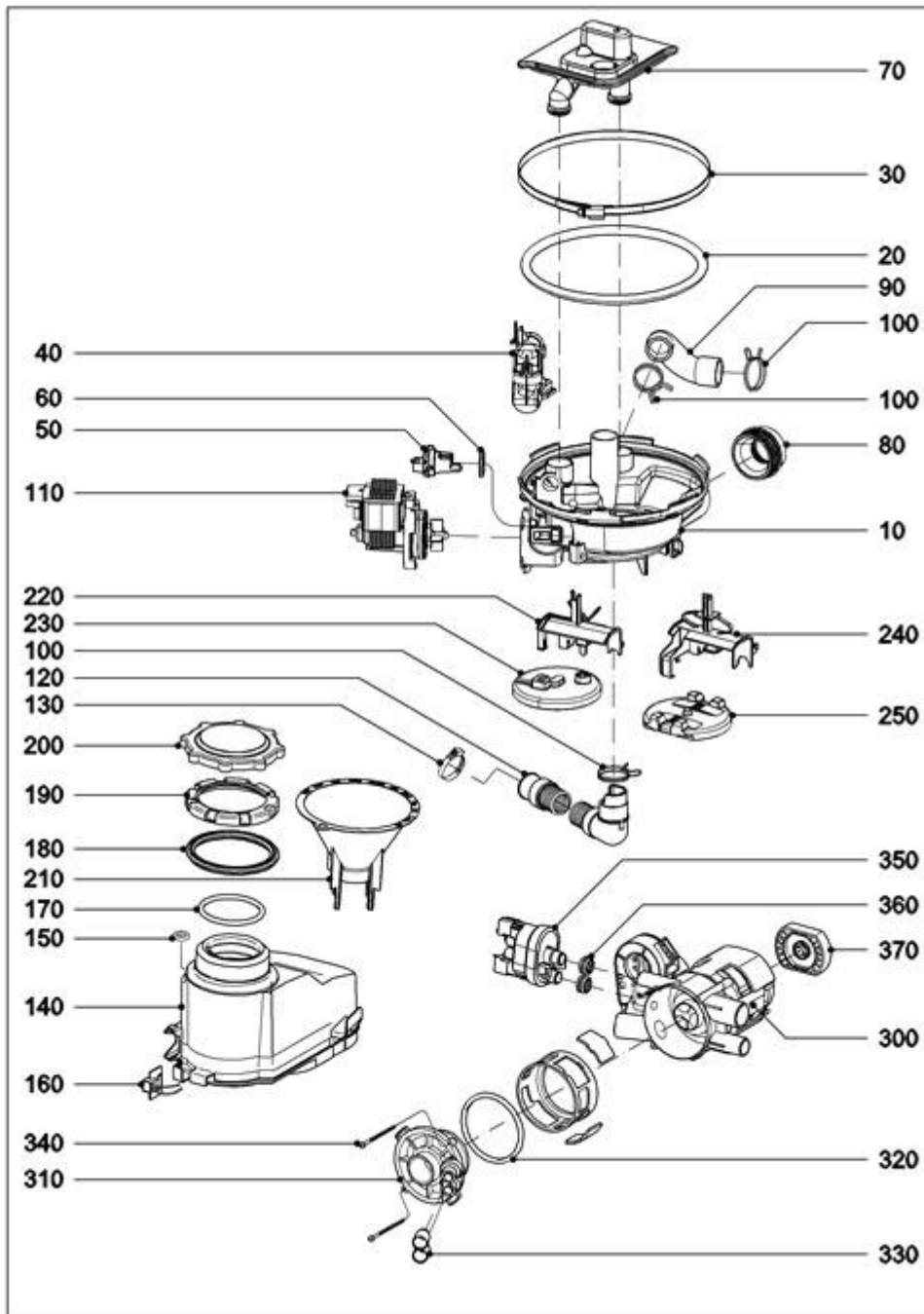
152790

**091 Water run Inner cabinet**



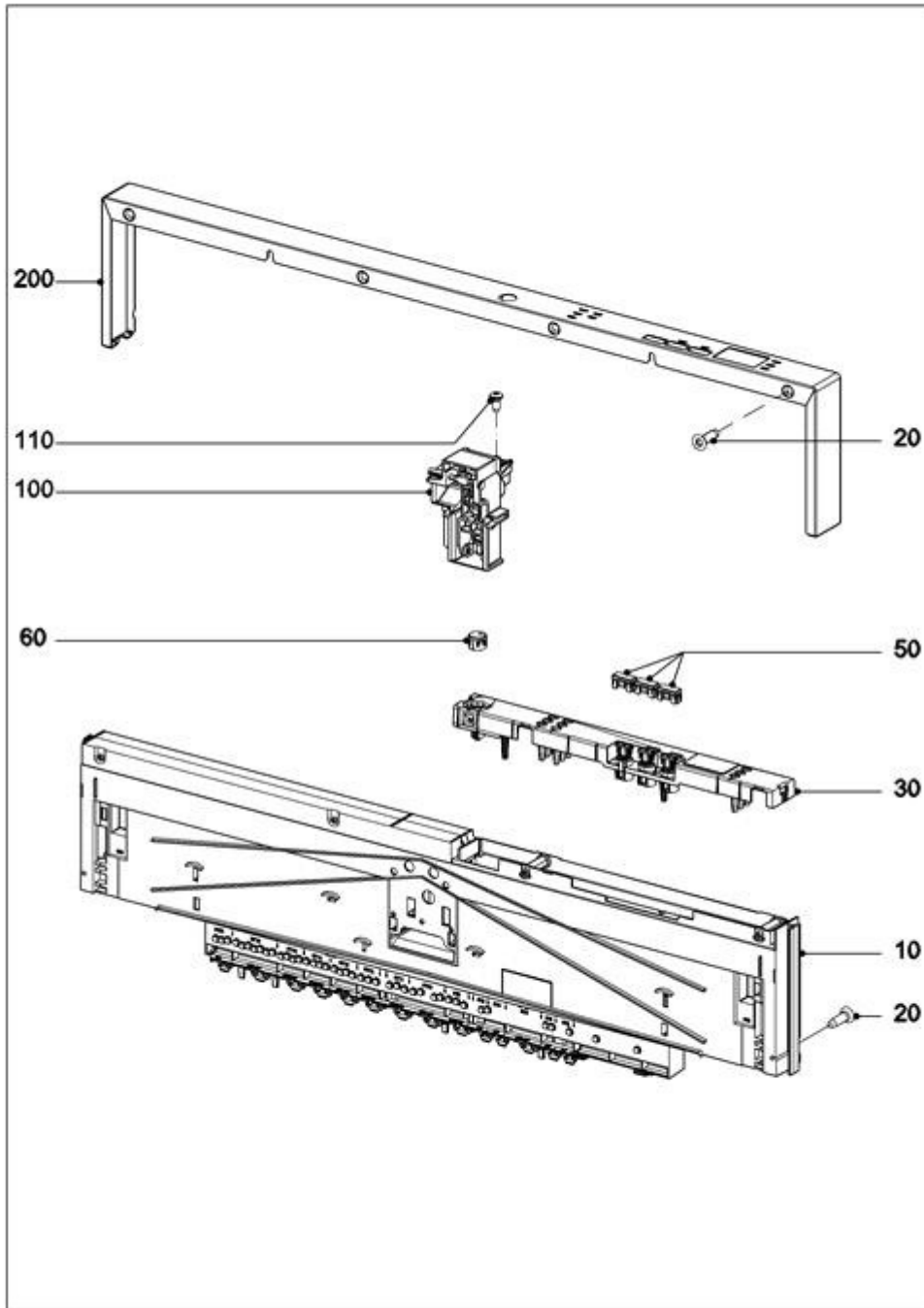
152792

**104 Water run Plinth**



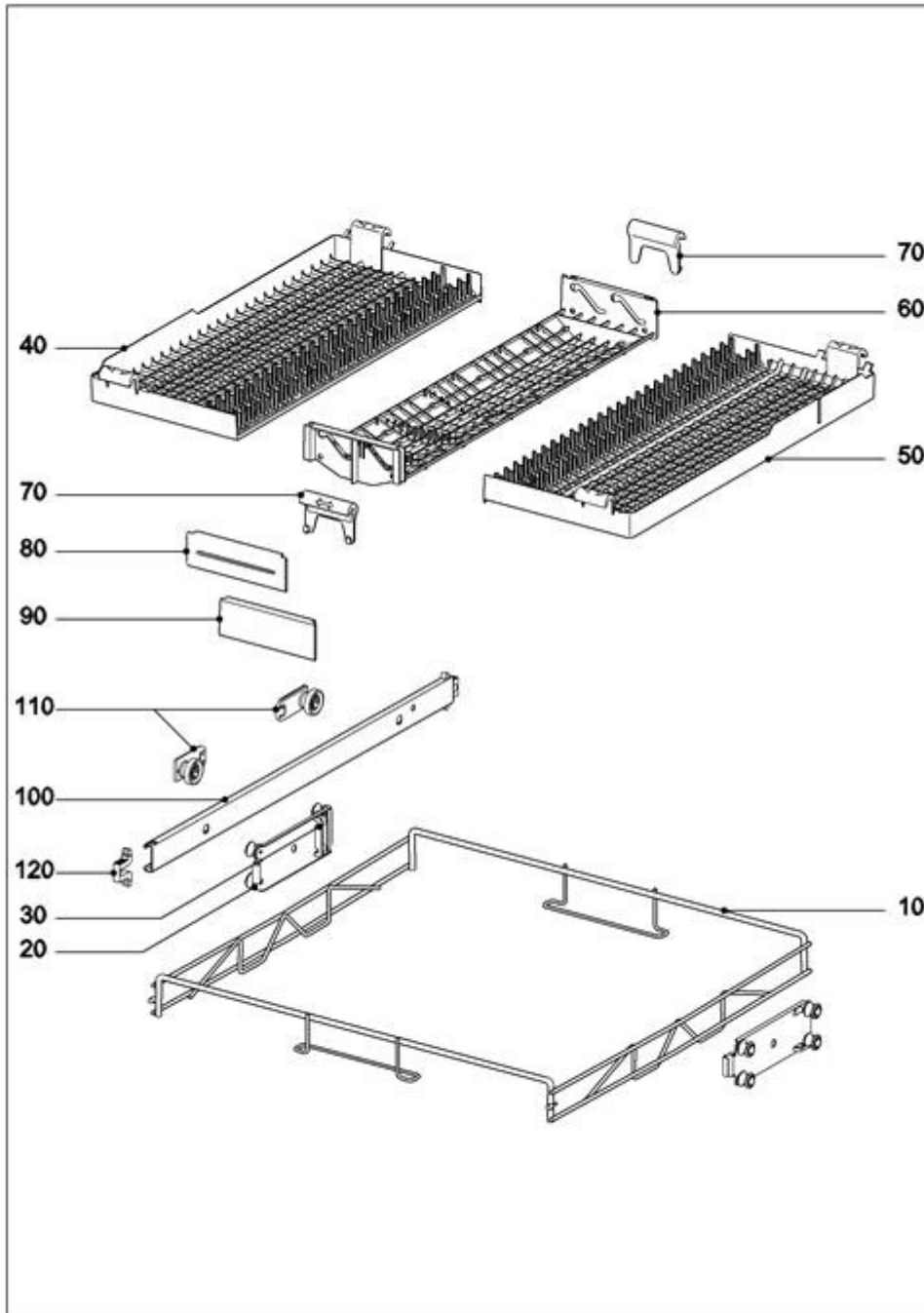
152793

**173 Fascia panel Harness**



156956

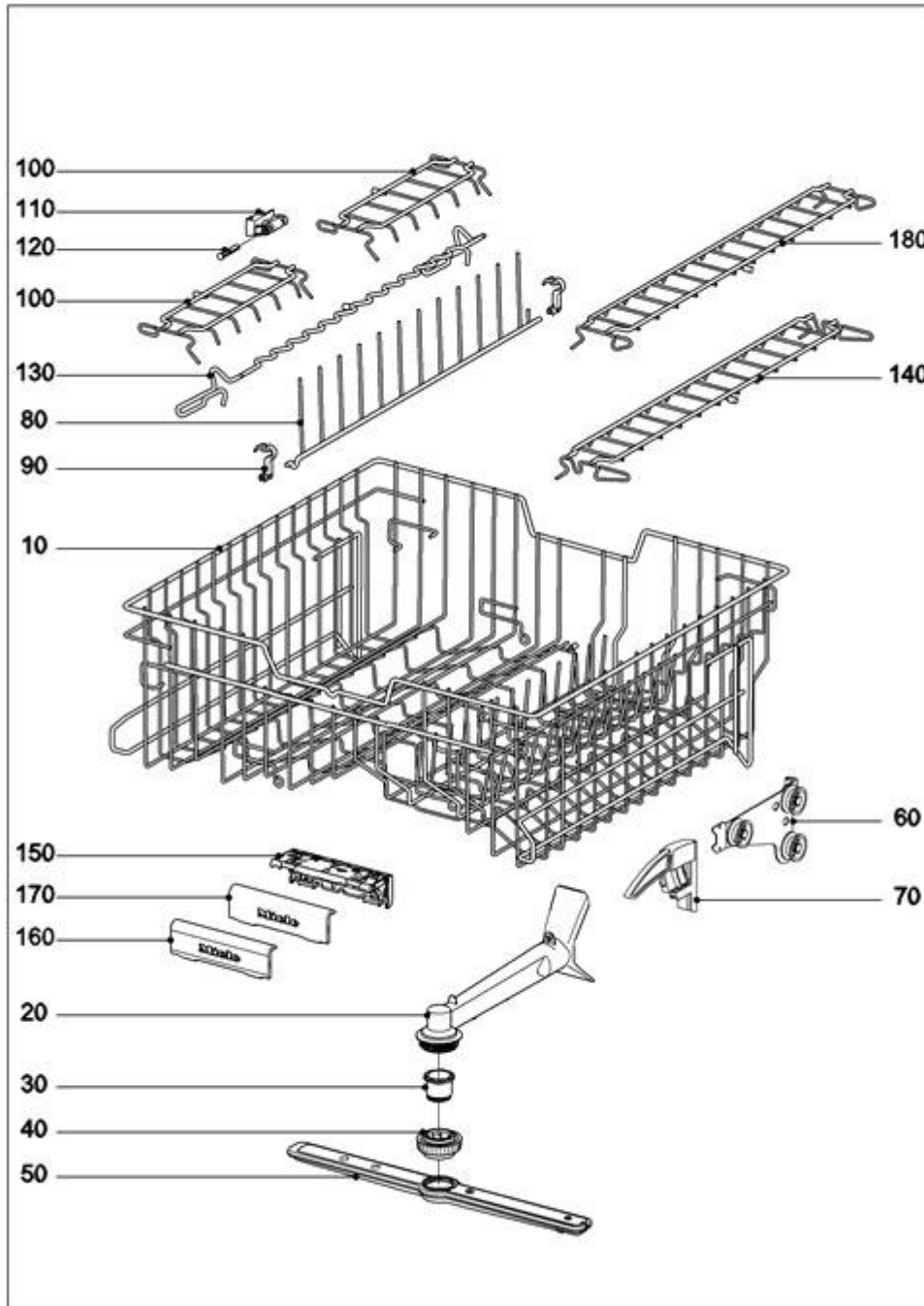
**192 Cutlery tray**



143079

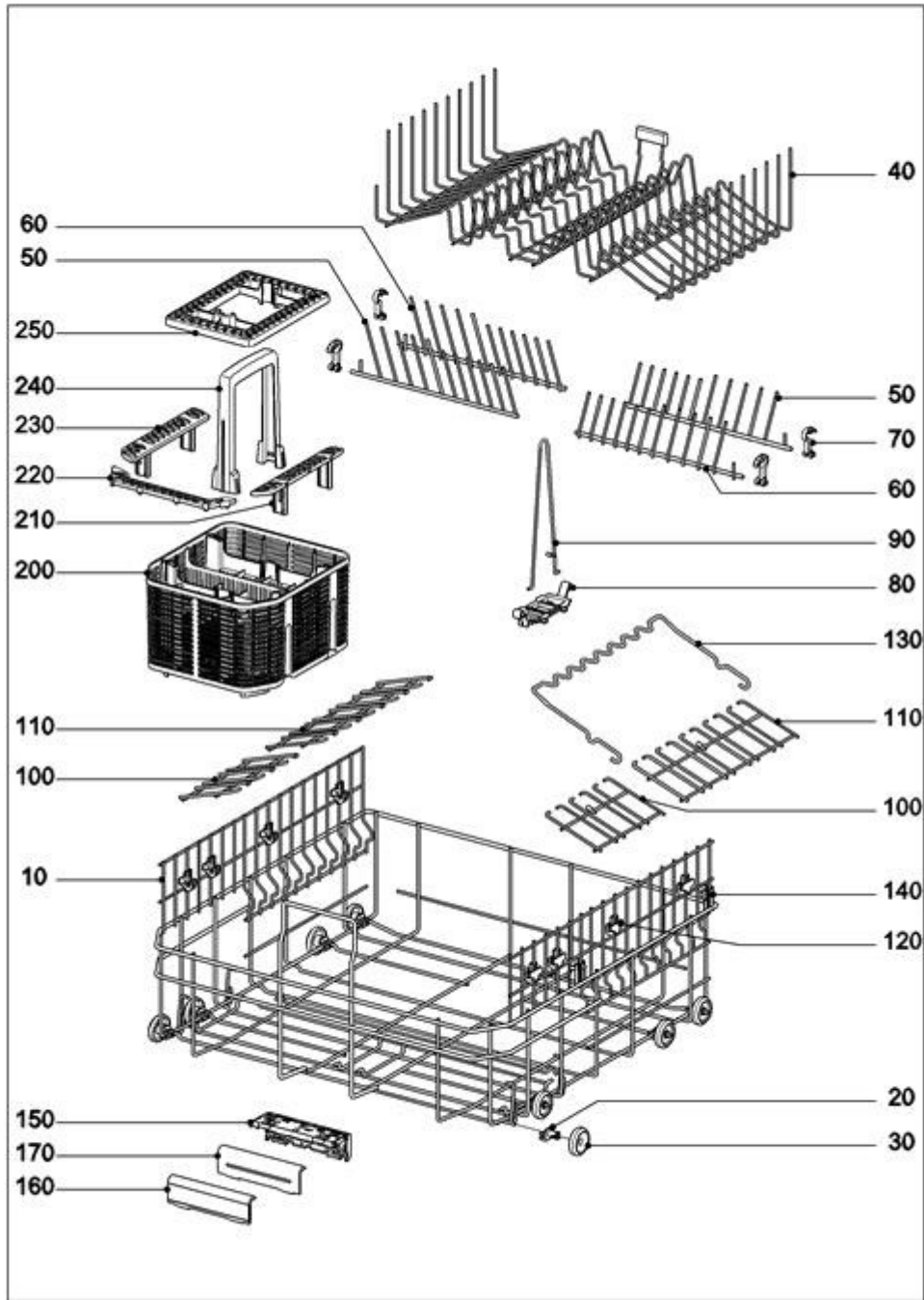


**201 Top basket GOK 5x5**



143081

**210 Bottom basket GUK 5xxx**



143082