



Dishwashers
G520

EN/Germany

07.09.2021
© Miele & Cie. KG 2021

Explanation

Column	Contents
Pos.	Drawing item number or number range for indicating the Mat. no. of the activated line in the function group drawing.
Mat. no.	Material number of the spare part.
SL	Key field with additional information relevant to the item. The following abbreviations may also be displayed here: <ul style="list-style-type: none"> Z In addition to this spare part, the next-listed part is also required. N This refers to a standard part. Optionally a special part may also be fitted. W This special part can optionally be fitted as an alternative to the standard part. A With regard to this item, the following information must also be noted in relation to this item.
FT	Entry "***" possible. Then the Mat. no. can be replaced by the Mat. no. of the following item.
Qty.	This column indicates how many of the part in question are fitted at this position in the machine.
UOQ	This shows the unit of quantity.
HZ	The heating type is given here. The following entries are possible: <ul style="list-style-type: none"> EL Electric AG Gas HD High-pressure steam ND Low-pressure steam
Designation	This column displays the designation of the Mat. no. with a spare part, or information text. If the designation is indented by one space, then this item is part of a sub-assembly but can be ordered separately. Fastenings and earthing parts are indented by two spaces.



Dishwashers
G520

EN/Germany

07.09.2021
© Miele & Cie. KG 2021

Content

Function group overview

010 CASING WITH WASH CABINET

020 SERVICE PANEL AND HEIGHT VARIATIONS

030 SPRAY SYSTEM - HEATER

040 BASKET AND INSERTS

050 DOOR COMPLETE WITH DECOR FRAME

060 DECOR PANELS

070 FACIA PANELS - PROGRAMME TIMER

080 WATER INLET - WATER SOFTENER - CONNECTING HOSES

090 PUMPS - SUMP - CONNECTING HOSES - ELECTRICAL PARTS

100 ELECTRICAL CONNECTION

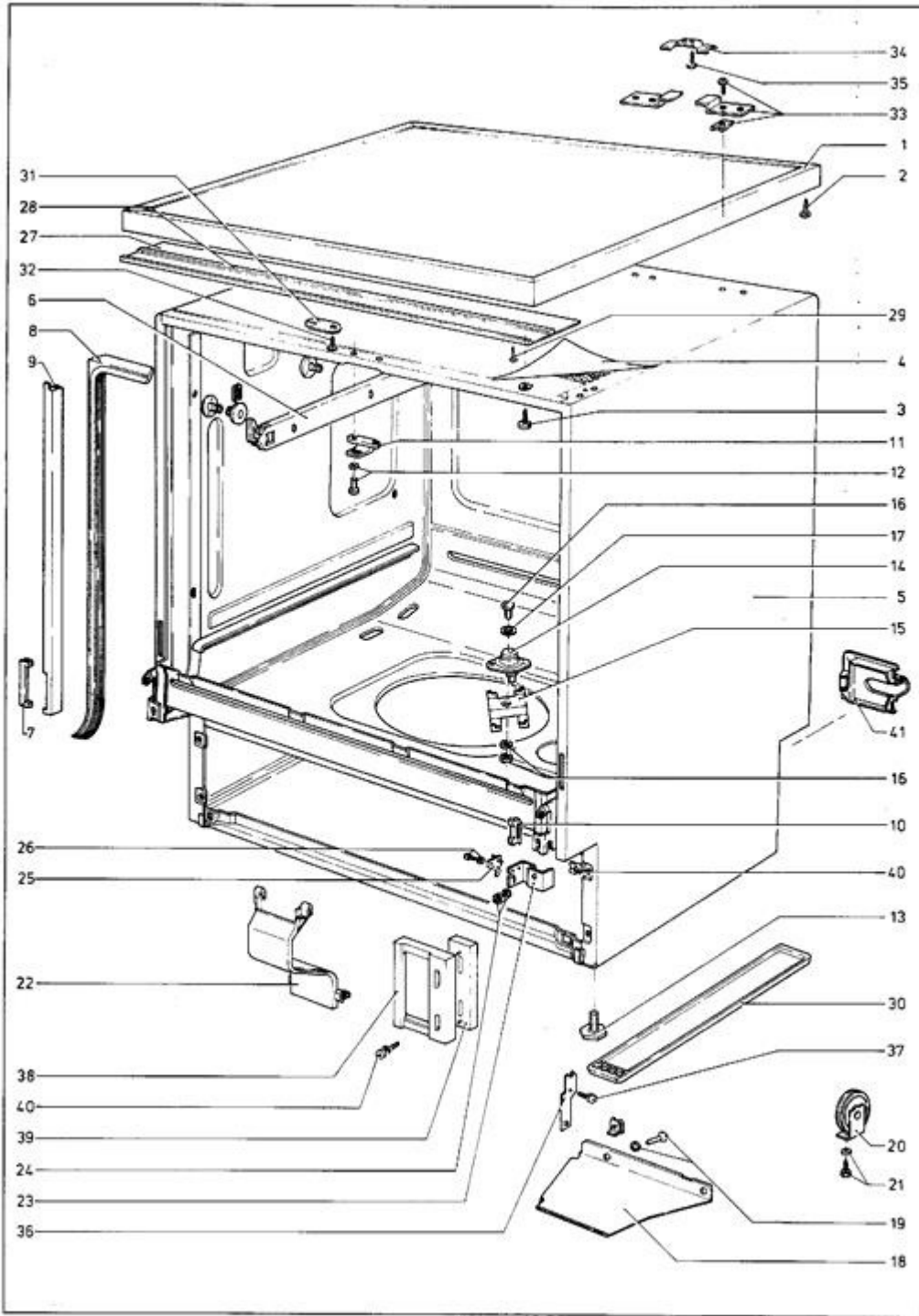


Dishwashers
G520

EN/Germany

07.09.2021
© Miele & Cie. KG 2021

010 CASING WITH WASH CABINET



1303100-010

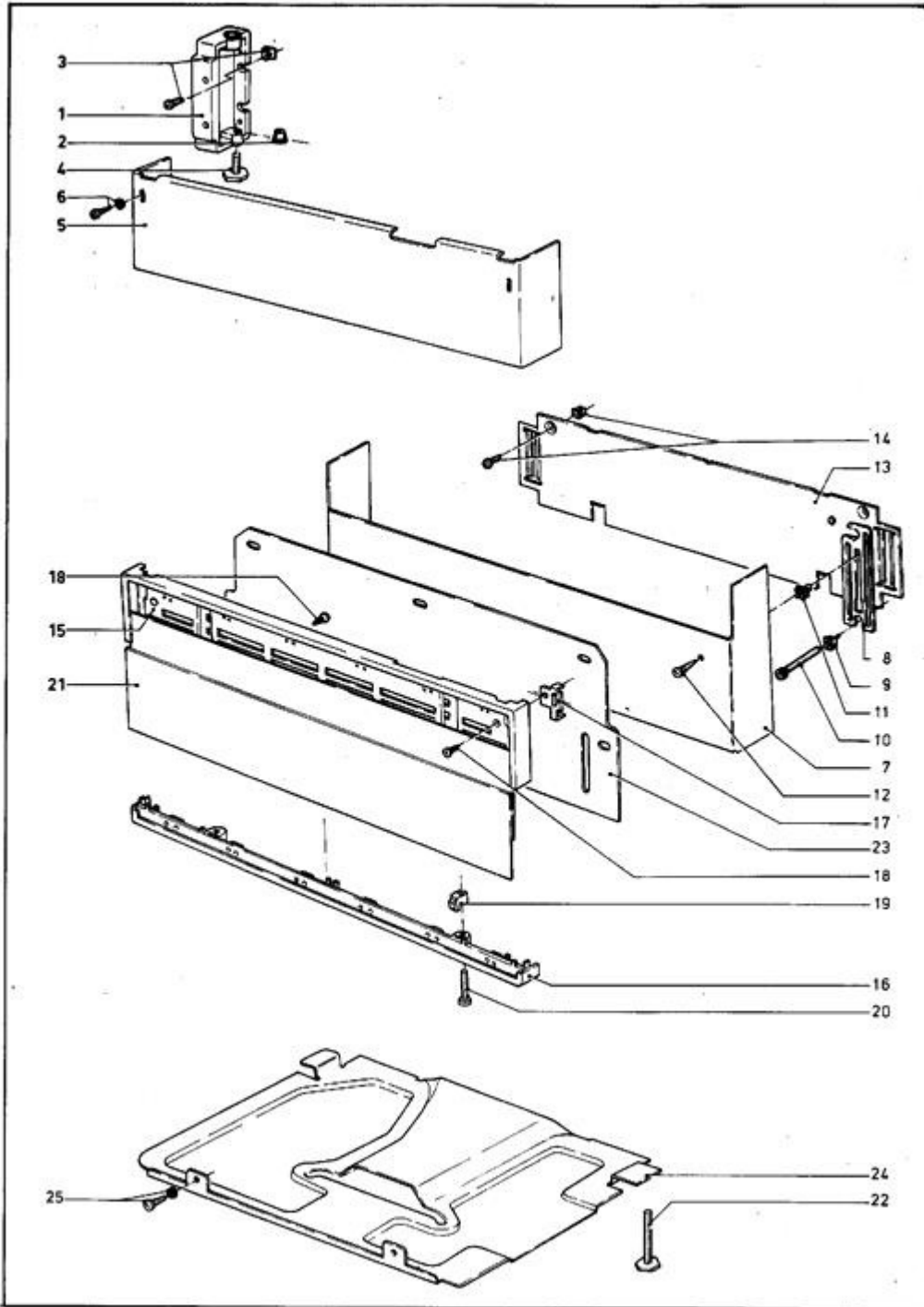


Dishwashers
G520

EN/Germany

07.09.2021
© Miele & Cie. KG 2021

020 SERVICE PANEL AND HEIGHT VARIATIONS



1303100-020

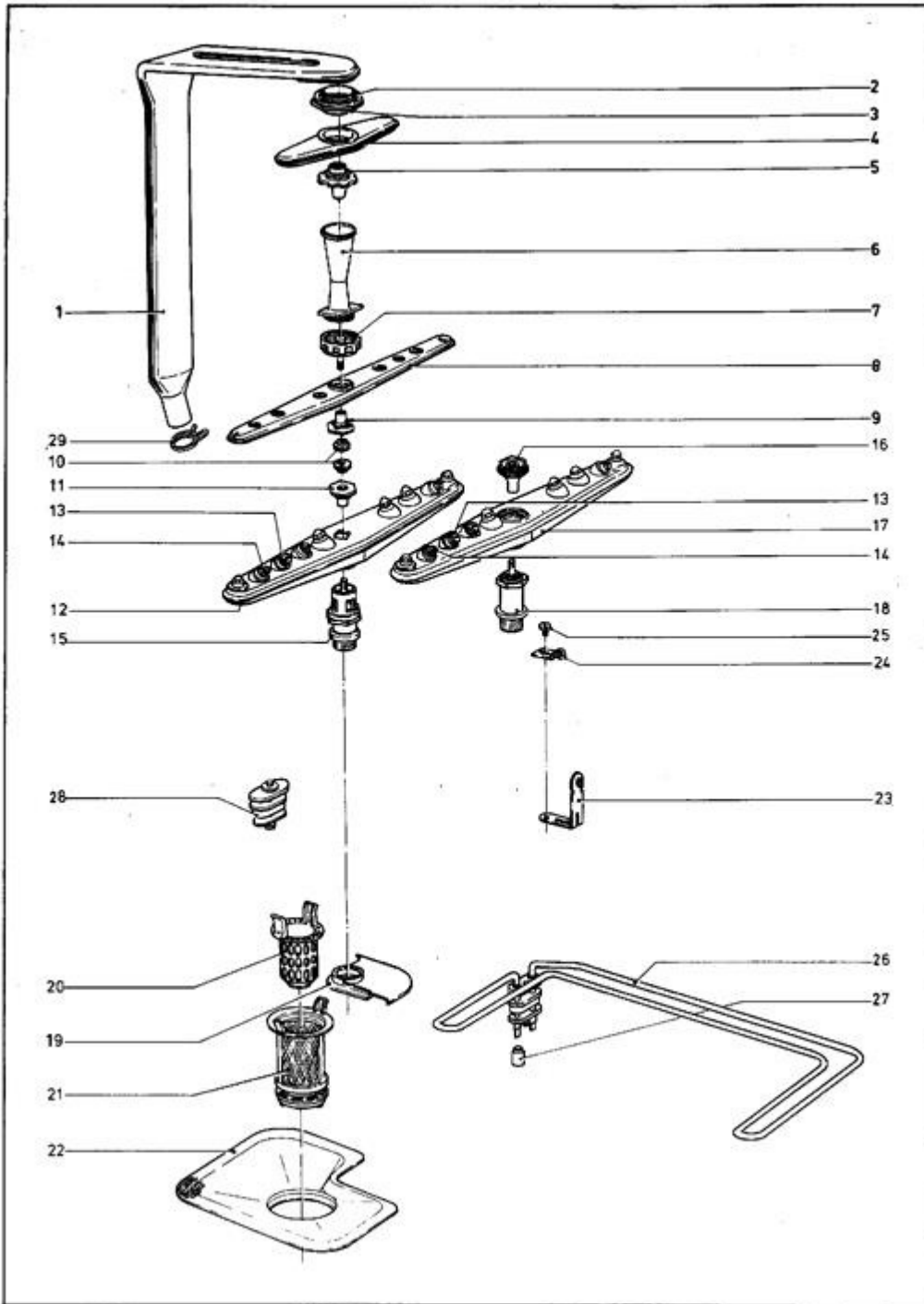


Dishwashers
G520

EN/Germany

07.09.2021
© Miele & Cie. KG 2021

030 SPRAY SYSTEM - HEATER



1303100-030

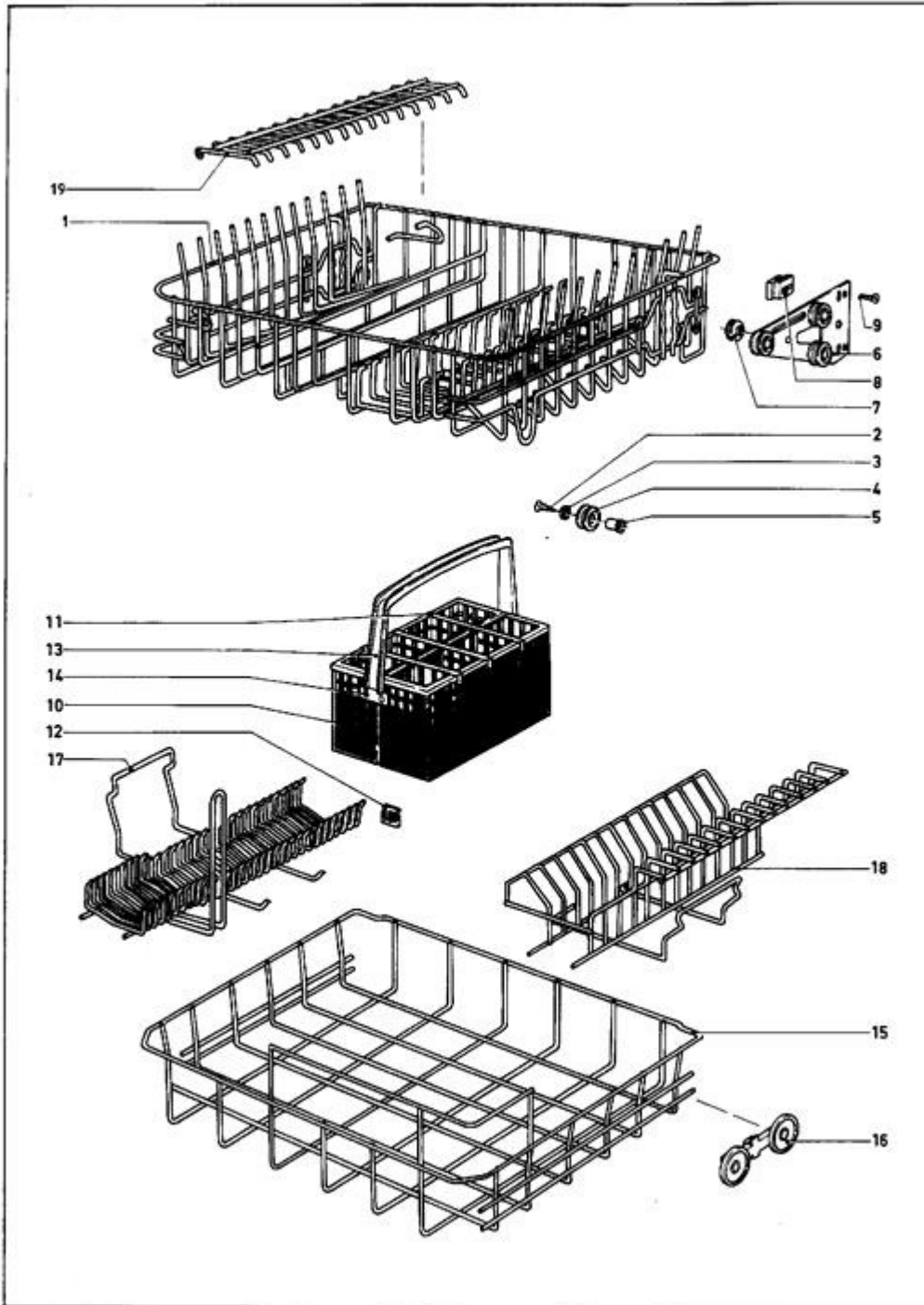


Dishwashers
G520

EN/Germany

07.09.2021
© Miele & Cie. KG 2021

040 BASKET AND INSERTS



.1303100-040

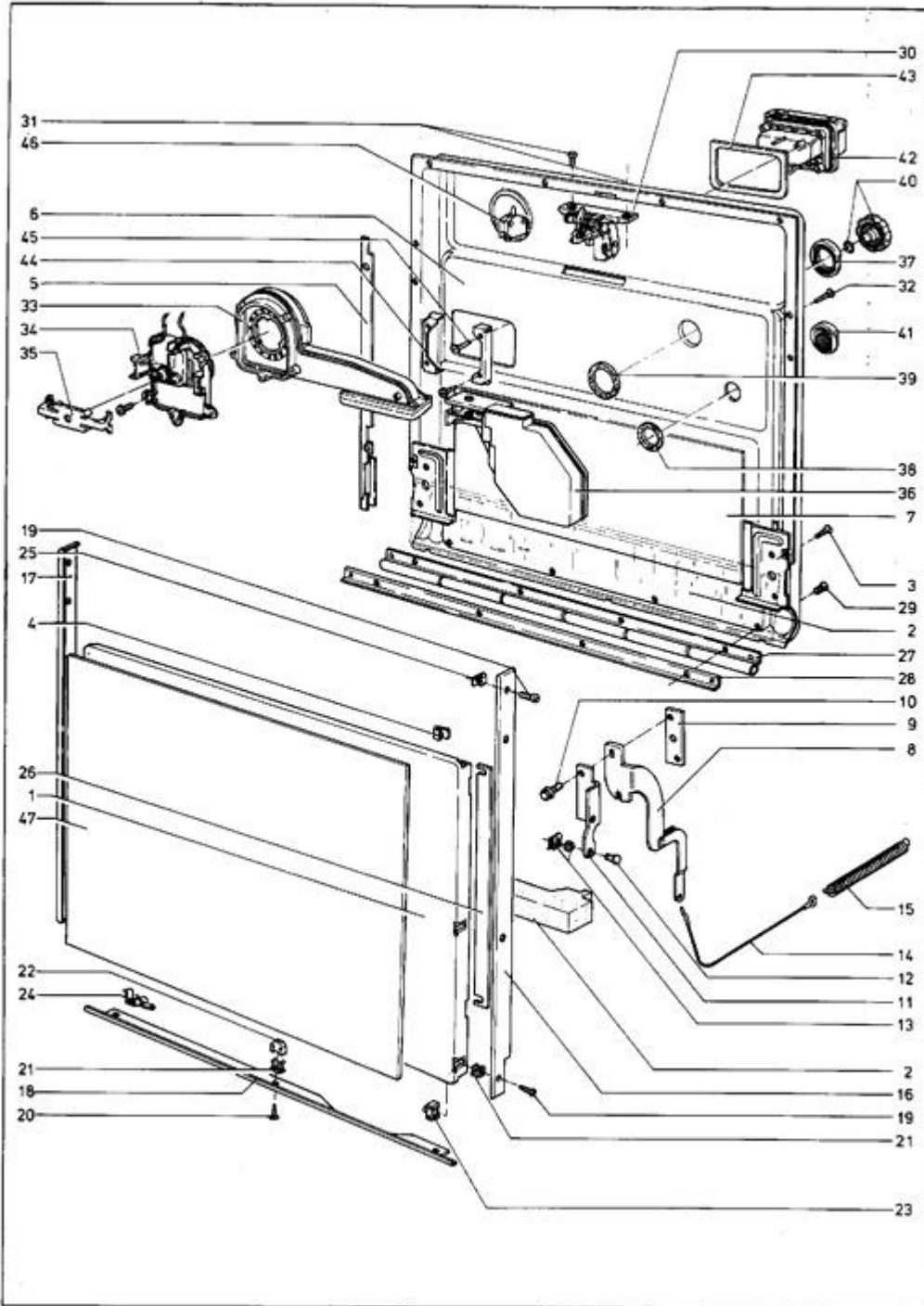


Dishwashers
G520

EN/Germany

07.09.2021
© Miele & Cie. KG 2021

050 DOOR COMPLETE WITH DECOR FRAME



1303100-050



Dishwashers
G520

EN/Germany

07.09.2021
© Miele & Cie. KG 2021

060 DECOR PANELS

1303100-060

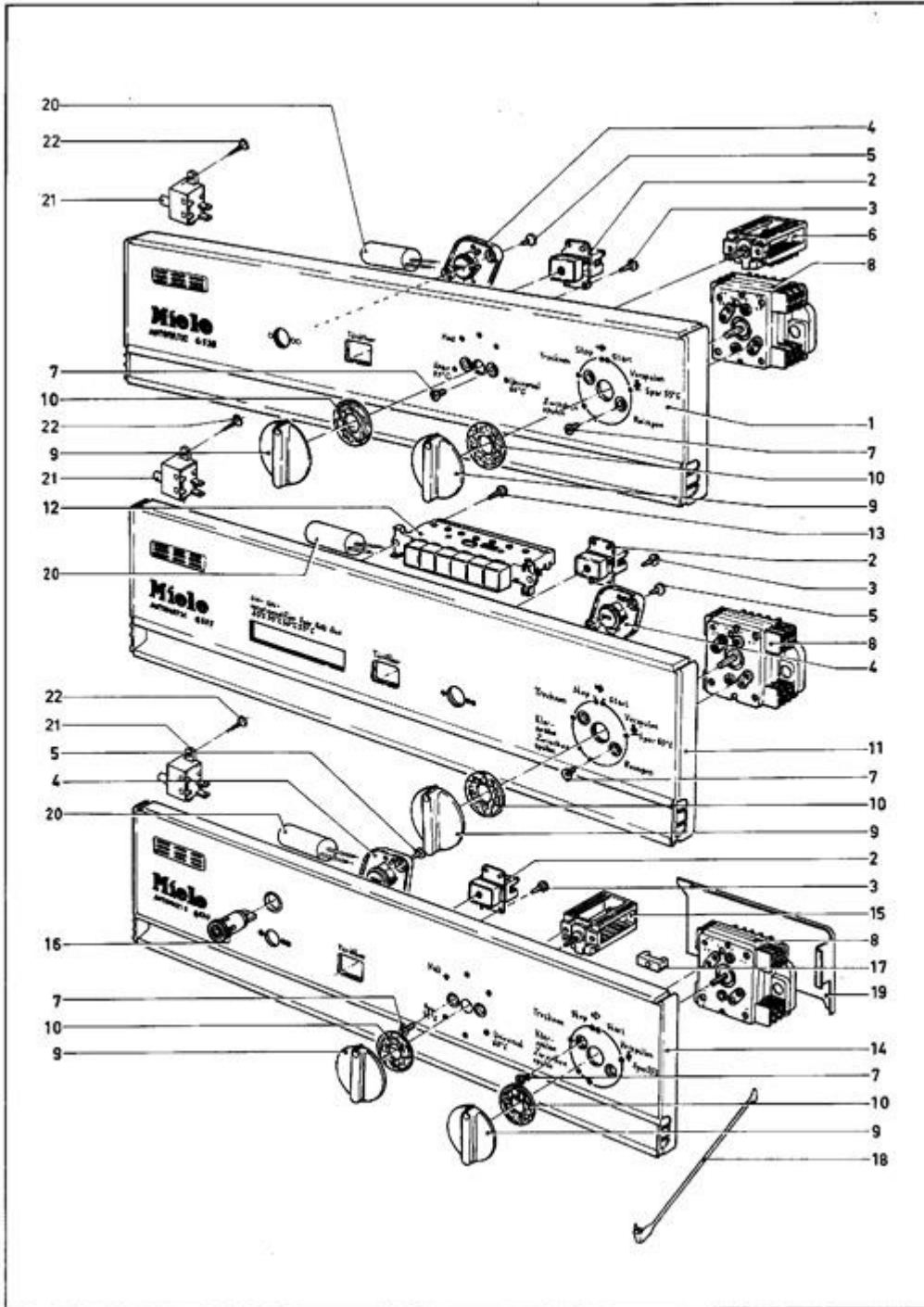


Dishwashers
G520

EN/Germany

07.09.2021
© Miele & Cie. KG 2021

070 FACIA PANELS - PROGRAMME TIMER



1303100-070

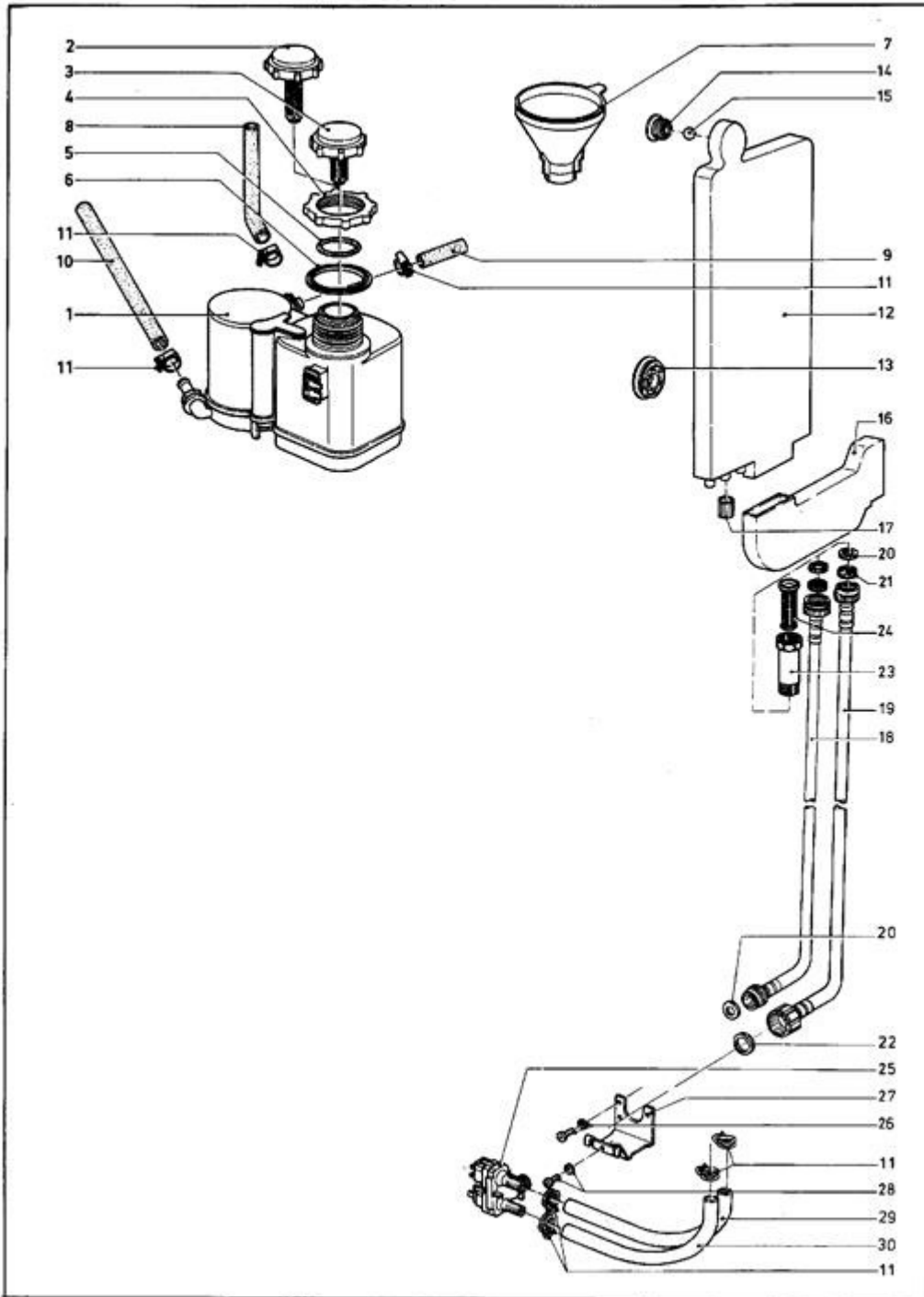


Dishwashers
G520

EN/Germany

07.09.2021
© Miele & Cie. KG 2021

080 WATER INLET - WATER SOFTENER - CONNECTING HOSES



1303100-080

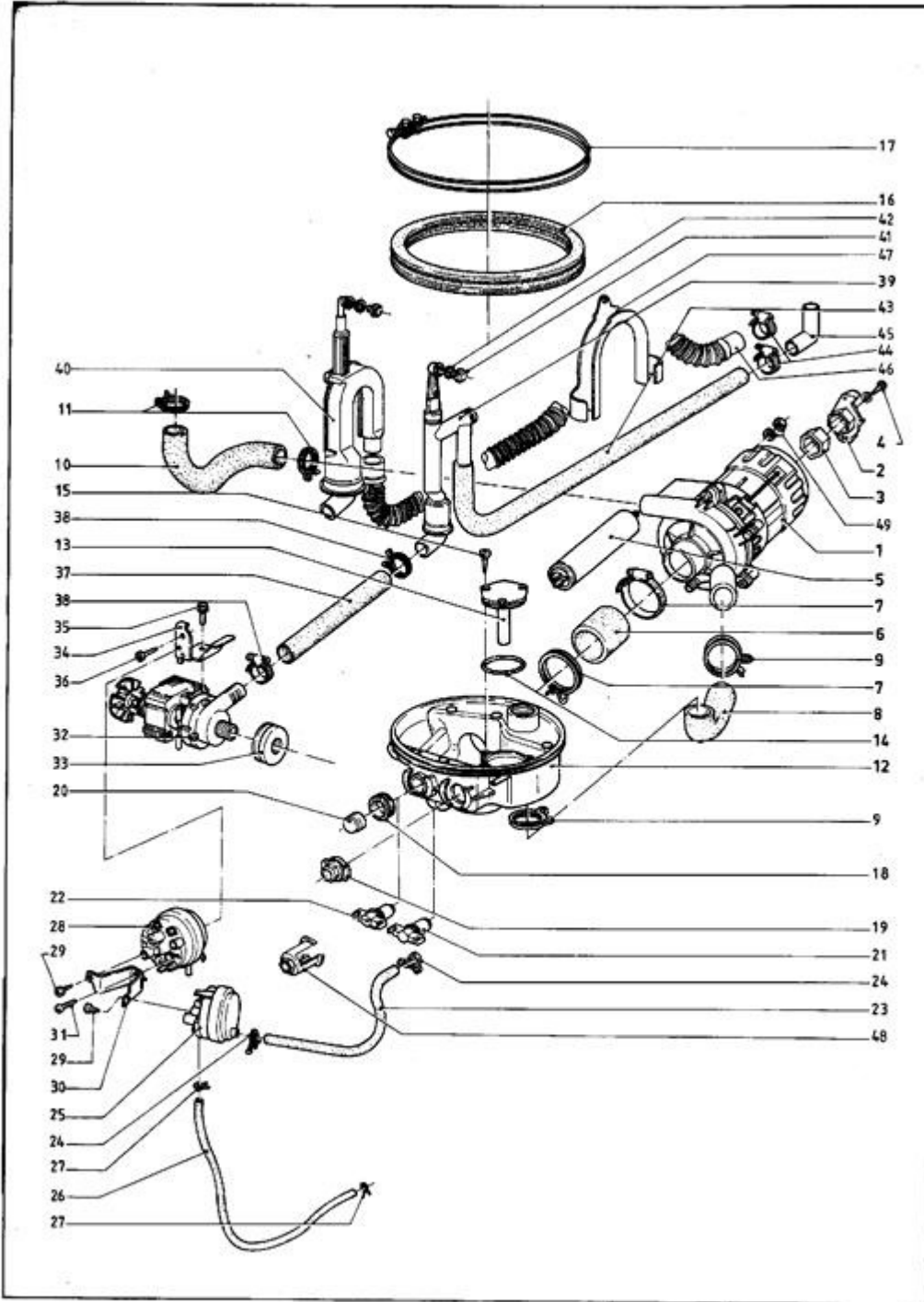


Dishwashers
G520

EN/Germany

07.09.2021
© Miele & Cie. KG 2021

090 PUMPS - SUMP - CONNECTING HOSES - ELECTRICAL PARTS



1303100-090

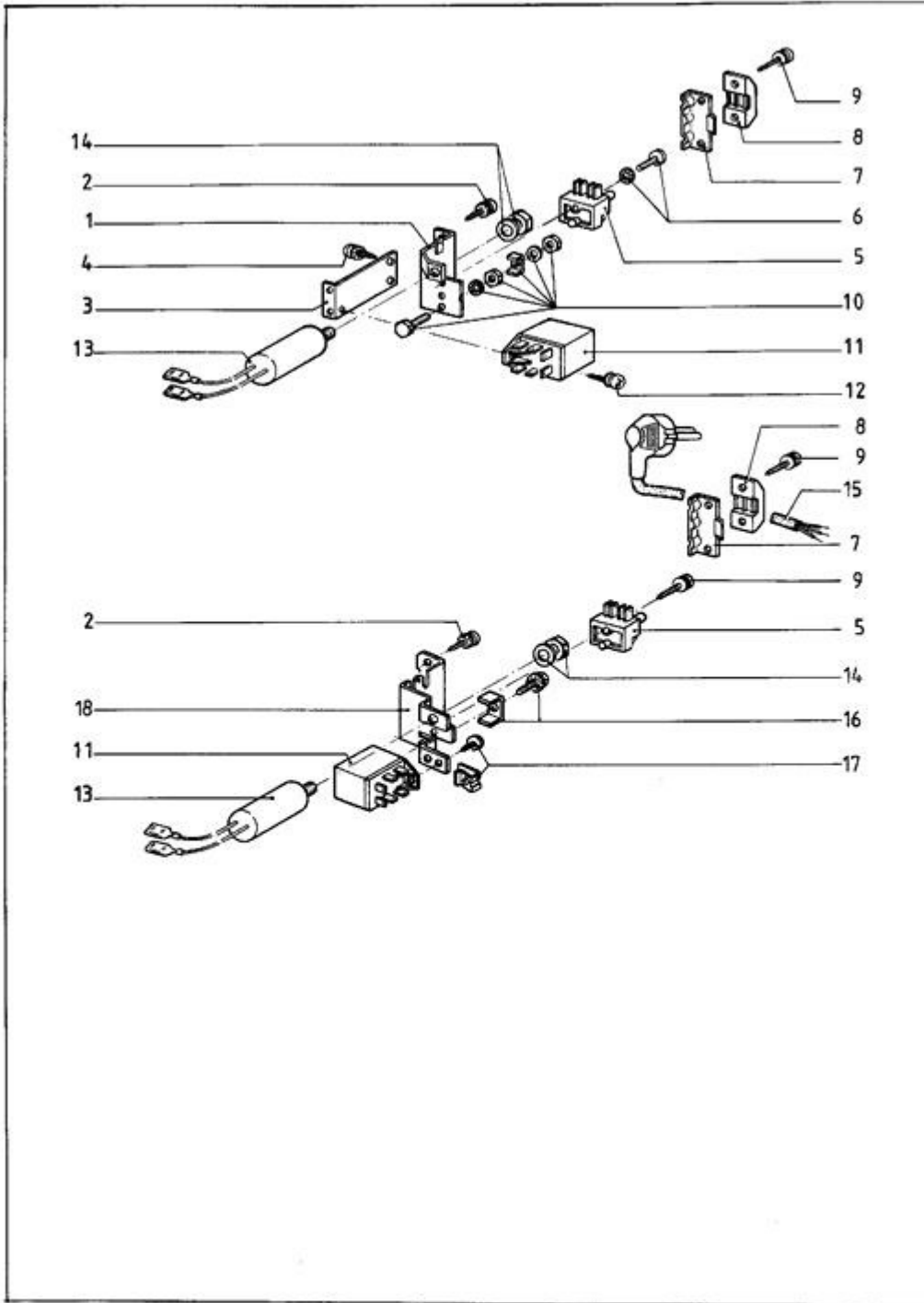


Dishwashers
G520

EN/Germany

07.09.2021
© Miele & Cie. KG 2021

100 ELECTRICAL CONNECTION



1303100-100