

Explanation

Column	Contents
Pos.	Drawing item number or number range for indicating the Mat. no. of the activated line in the function group drawing.
Mat. no.	Material number of the spare part.
SL	Key field with additional information relevant to the item. The following abbreviations may also be displayed here: <ul style="list-style-type: none"> Z In addition to this spare part, the next-listed part is also required. N This refers to a standard part. Optionally a special part may also be fitted. W This special part can optionally be fitted as an alternative to the standard part. A With regard to this item, the following information must also be noted in relation to this item.
FT	Entry "***" possible. Then the Mat. no. can be replaced by the Mat. no. of the following item.
Qty.	This column indicates how many of the part in question are fitted at this position in the machine.
UOQ	This shows the unit of quantity.
HZ	The heating type is given here. The following entries are possible: <ul style="list-style-type: none"> EL Electric AG Gas HD High-pressure steam ND Low-pressure steam
Designation	This column displays the designation of the Mat. no. with a spare part, or information text. If the designation is indented by one space, then this item is part of a sub-assembly but can be ordered separately. Fastenings and earthing parts are indented by two spaces.

Content

Function group overview

010 CASING WITH WASH CABINET

020 Plinth

030 SPRAY SYSTEM,HEATER

040 TOP BASKET AND INSERTS

050 BOTTOM BASKET AND INSERTS

060 Cutlery basket

070 DOOR AND DECOR FRAMES

080 FACIA PANEL,PROGRAMME TIMER G590-G590SC

100 LEAK PROTCTION DEVICE,WATER-SOFTENER

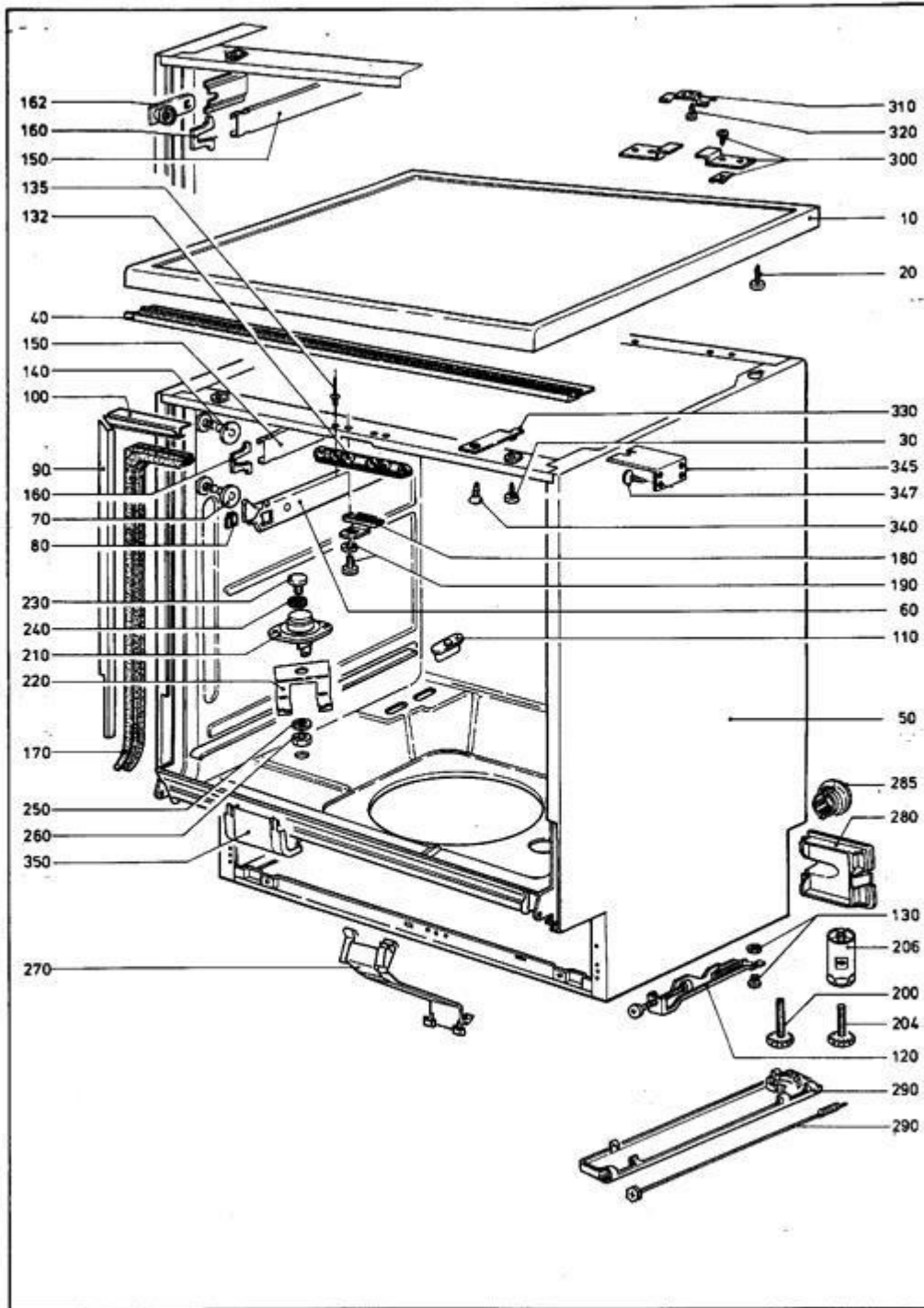
105 LAEK PROTECTION DEVICE,ONLY WATER-SOFTENER

110 PUMPS,SUMP,CONNECTING HOSES,ELECTRICAL PARTS

120 ELECTRICAL CONNECTION,CABLE

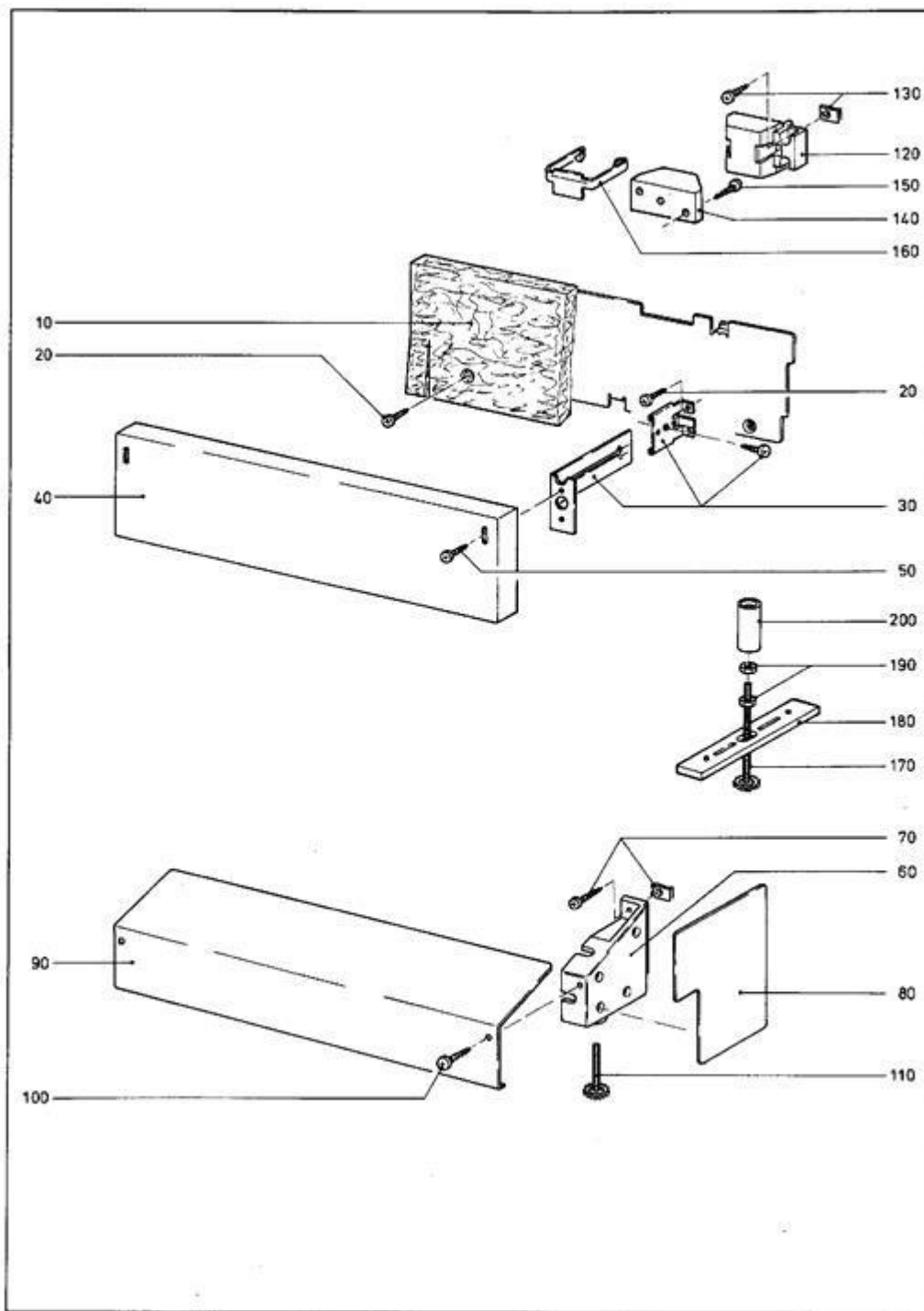
No.	Function group
010	CASING WITH WASH CABINET
020	Plinth
030	SPRAY SYSTEM, HEATER
040	TOP BASKET AND INSERTS
050	BOTTOM BASKET AND INSERTS
060	Cutlery basket
070	DOOR AND DECOR FRAMES
080	FACIA PANEL, PROGRAMME TIMER G590-G590SC
100	LEAK PROTECTION DEVICE, WATER-SOFTENER
105	LAEK PROTECTION DEVICE, ONLY WATER-SOFTENER
110	PUMPS, SUMP, CONNECTING HOSES, ELECTRICAL PARTS
120	ELECTRICAL CONNECTION, CABLE

010 CASING WITH WASH CABINET



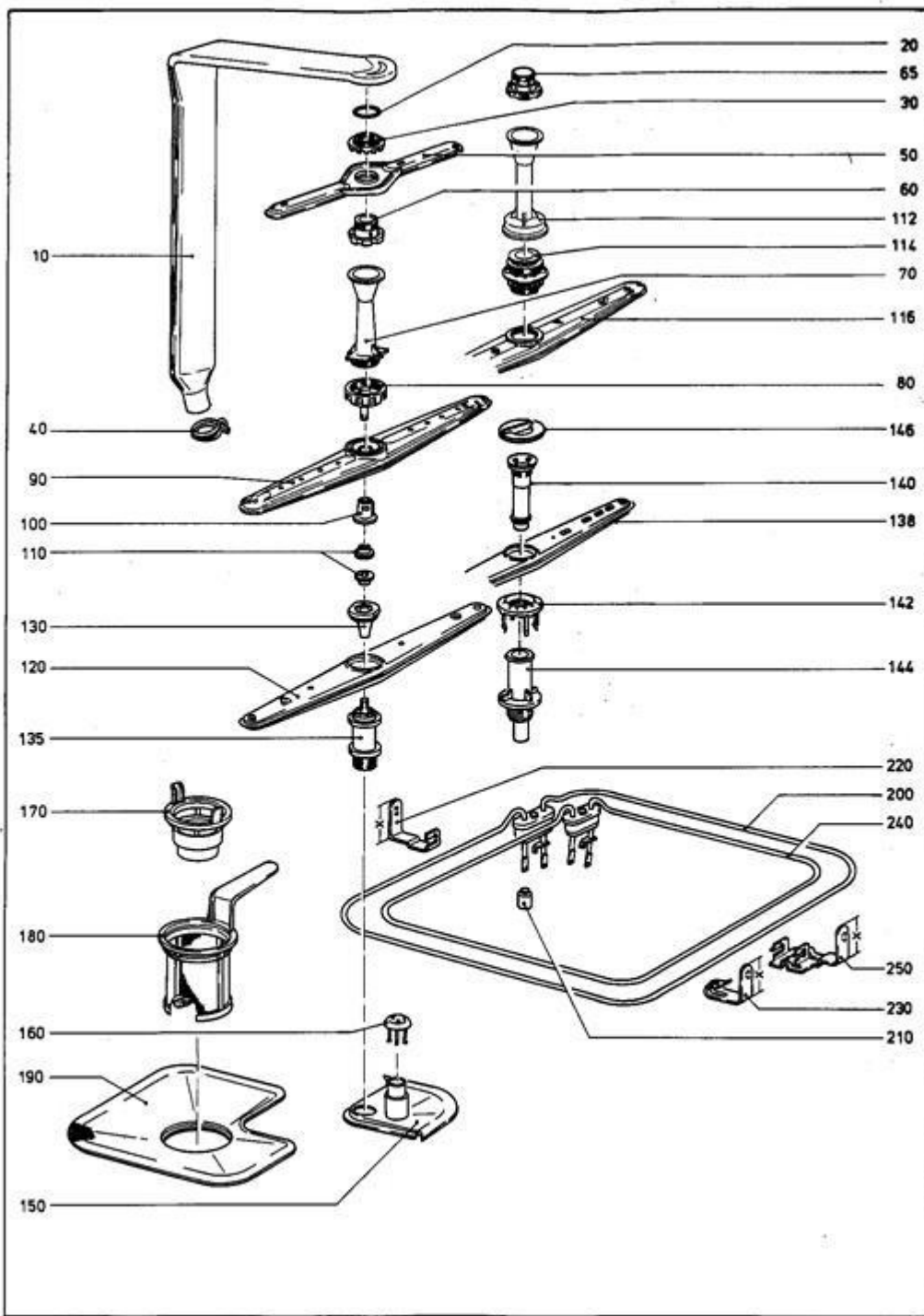
2373630-010

020 Plinth



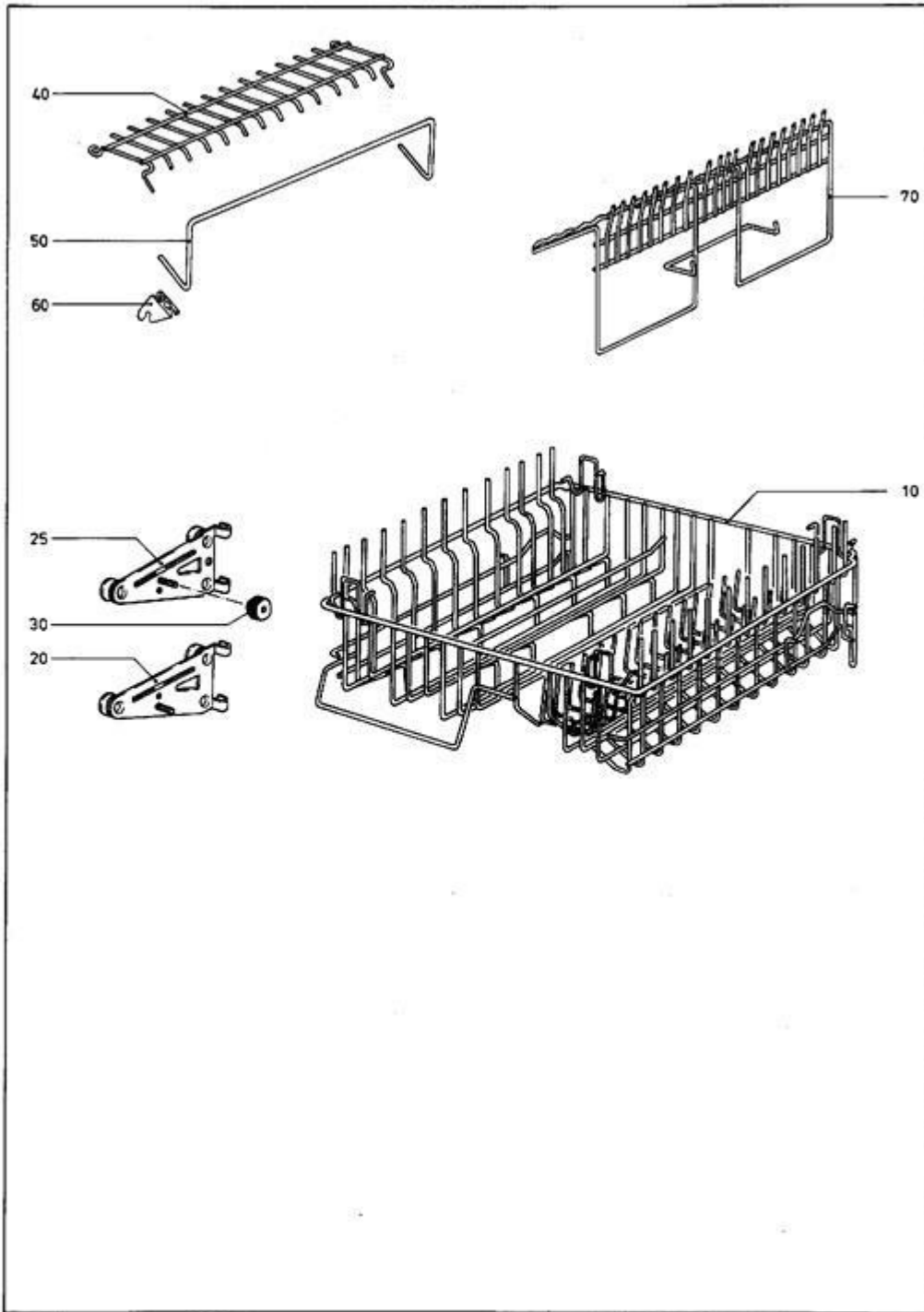
2373630-020

030 SPRAY SYSTEM,HEATER



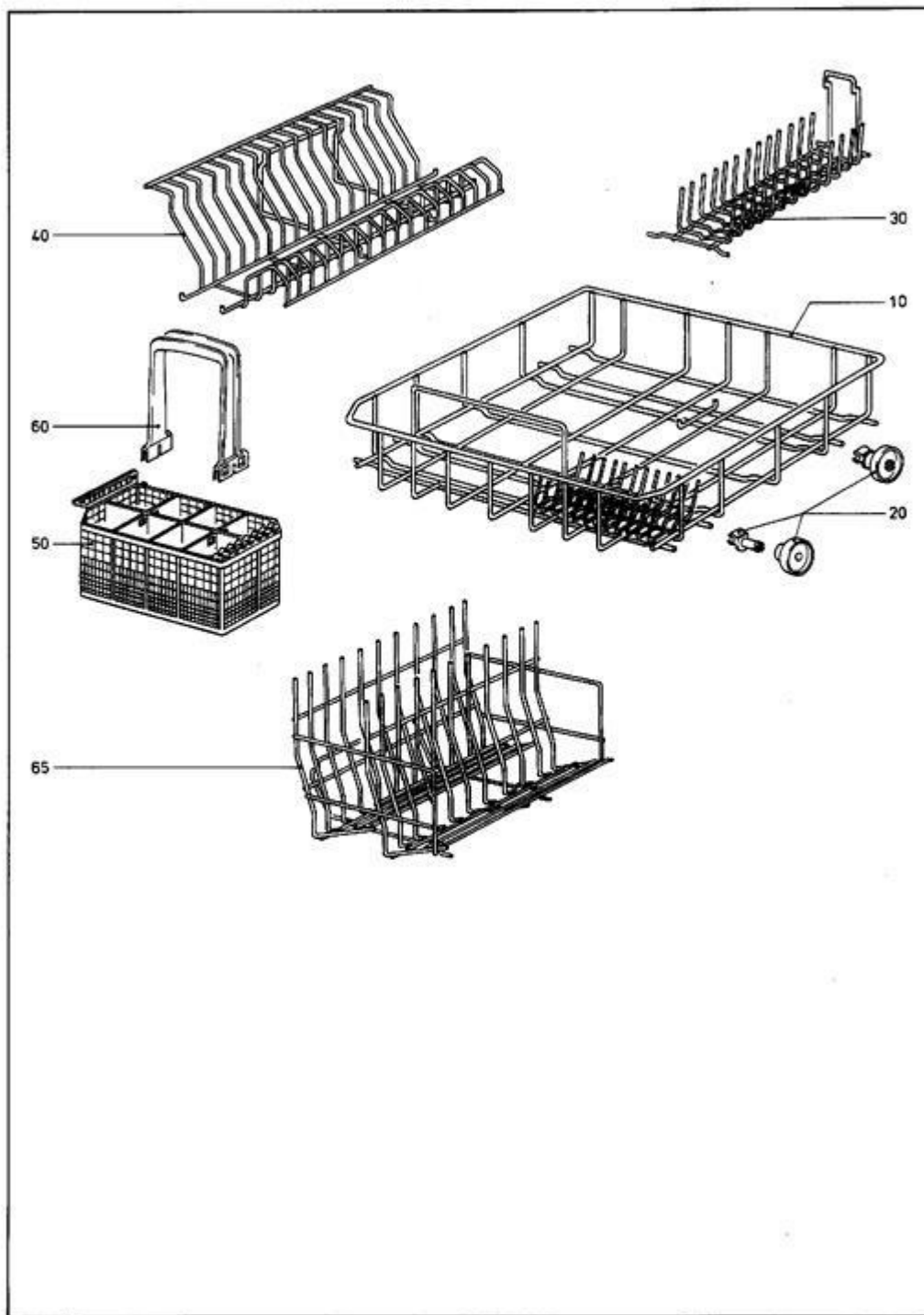
2373630-030-D

040 TOP BASKET AND INSERTS



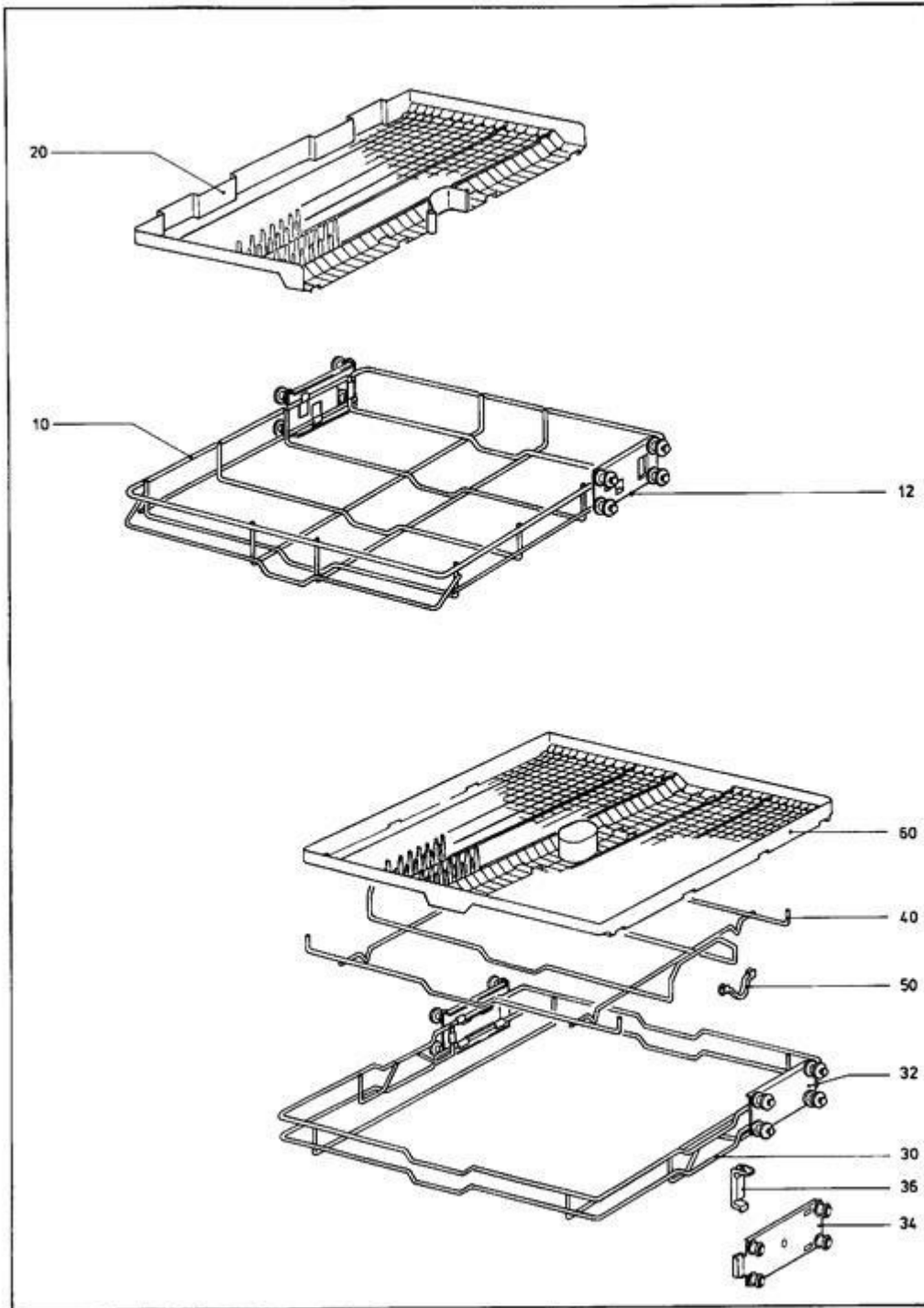
2373630-040

050 BOTTOM BASKET AND INSERTS



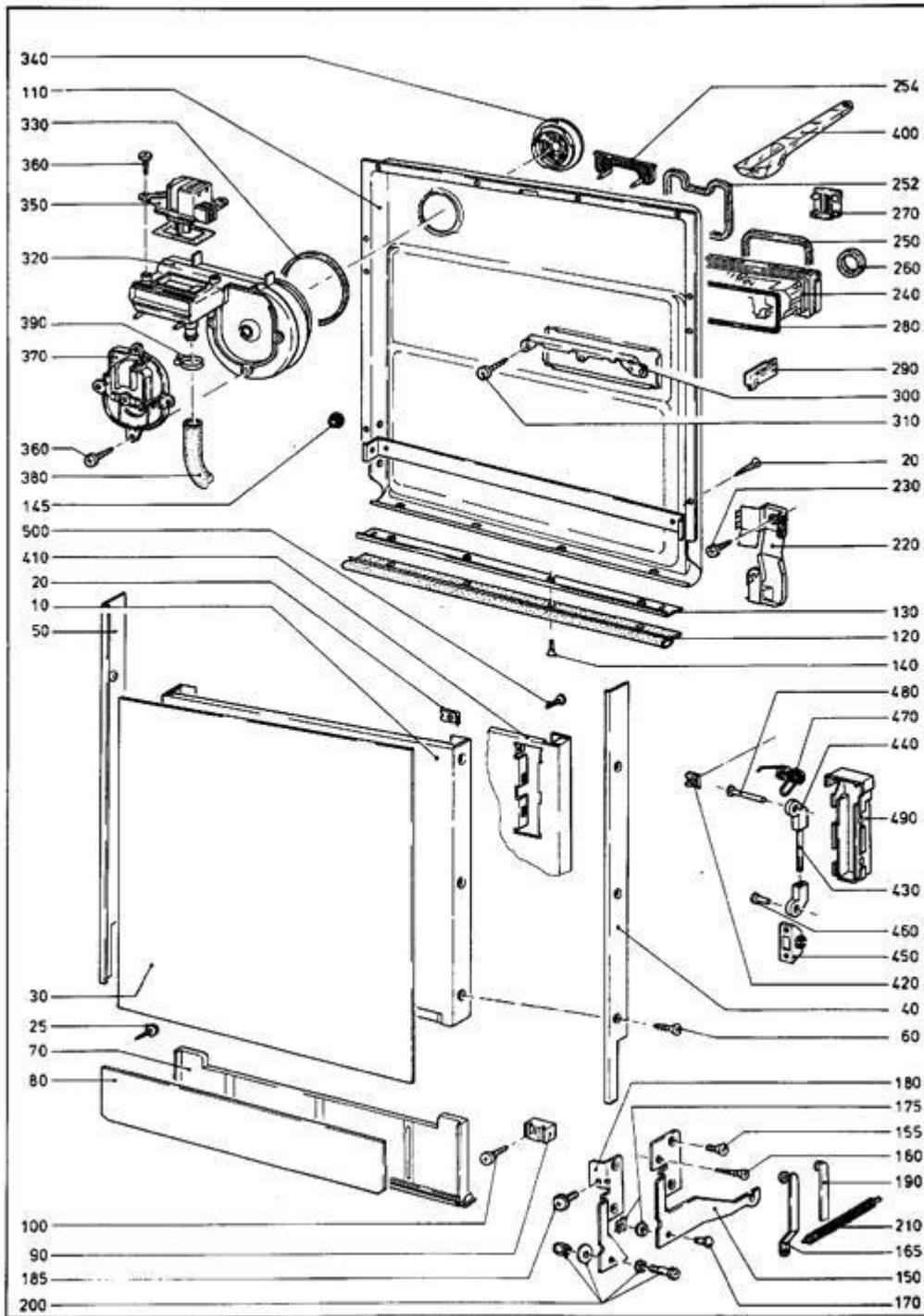
2373630-050

060 Cutlery basket



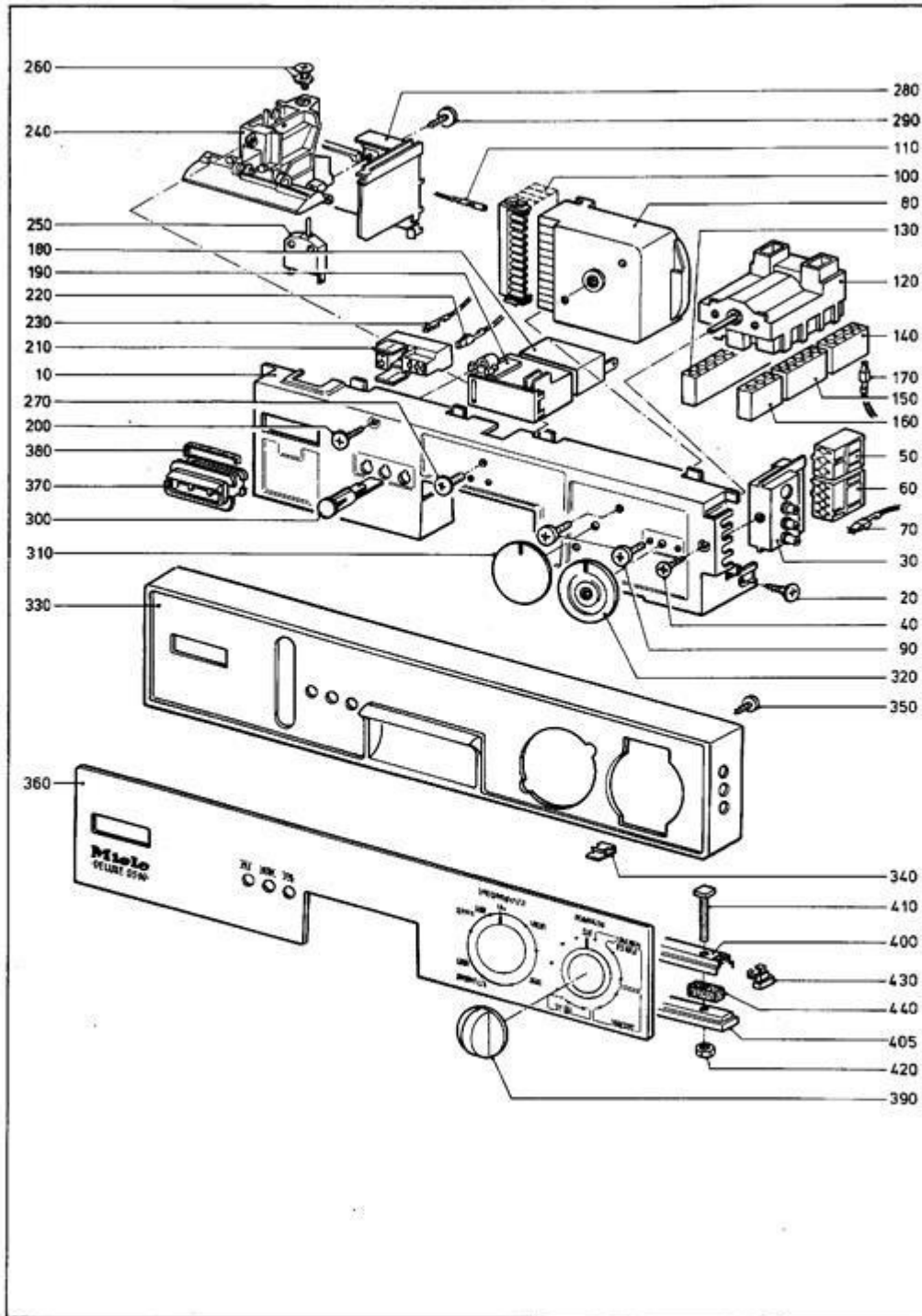
2373630-060

070 DOOR AND DECOR FRAMES



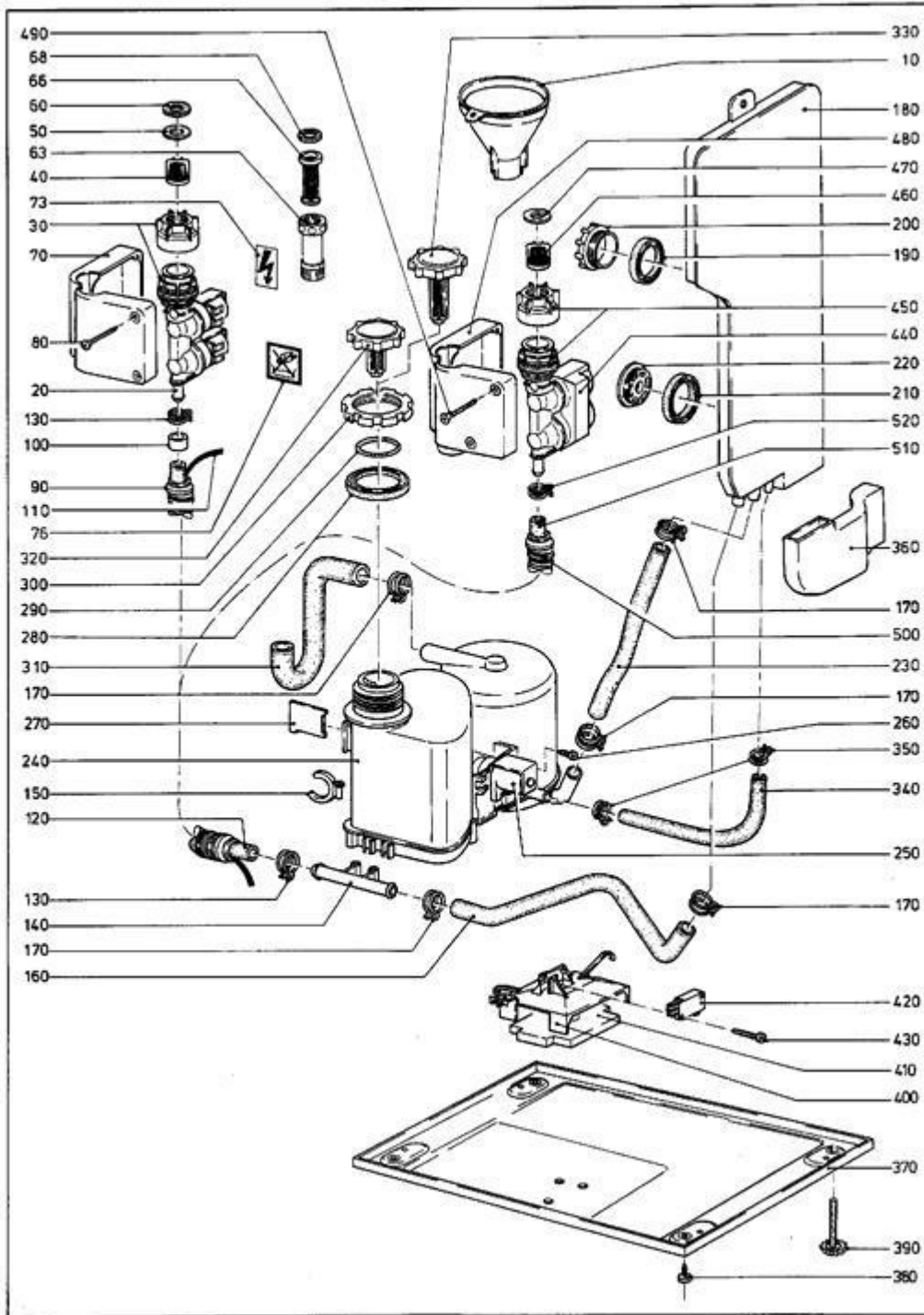
2373630-070-CH

080 FACIA PANEL,PROGRAMME TIMER G590-G590SC



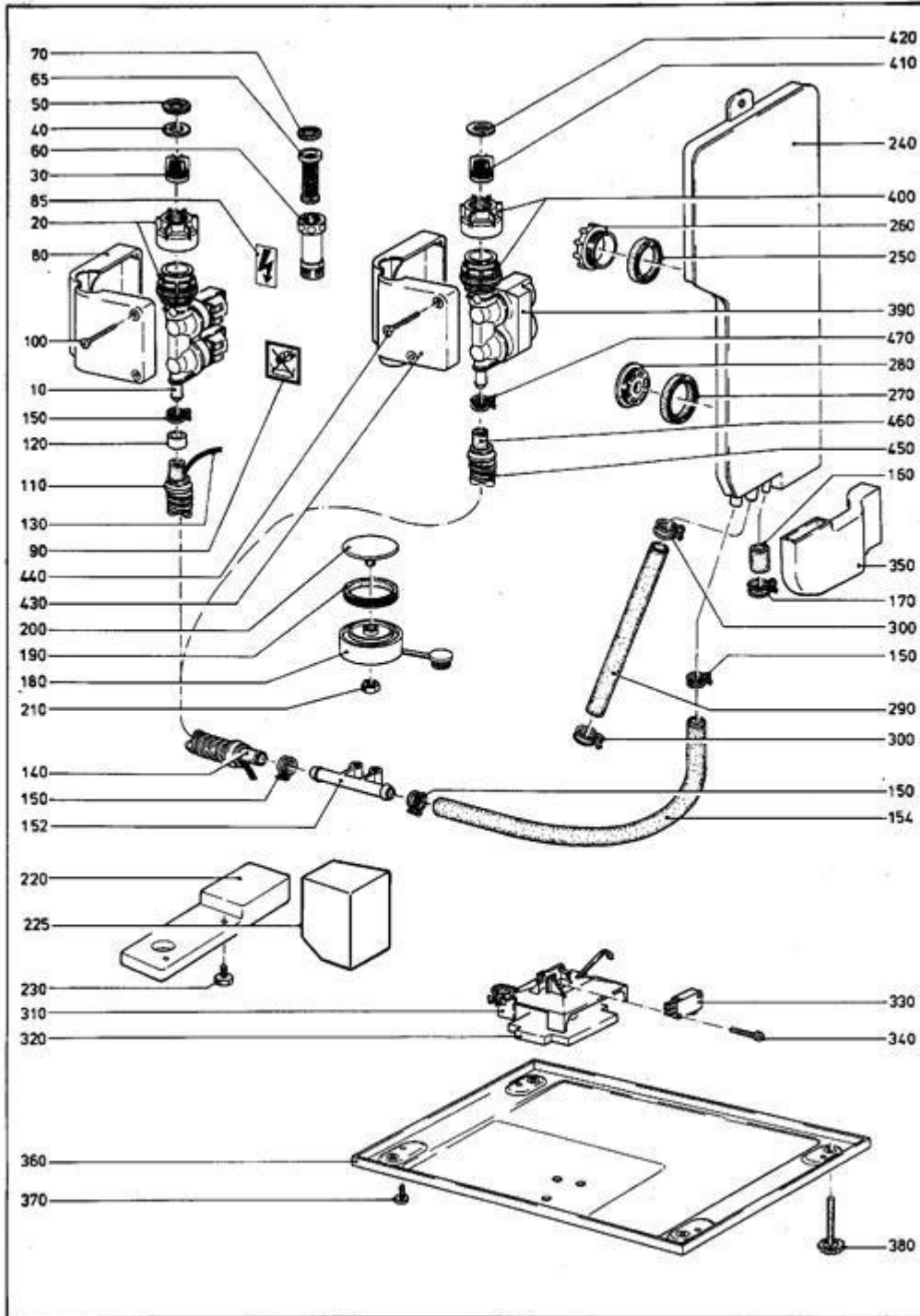
2373630-080

100 LEAK PROTECTION DEVICE, WATER-SOFTENER



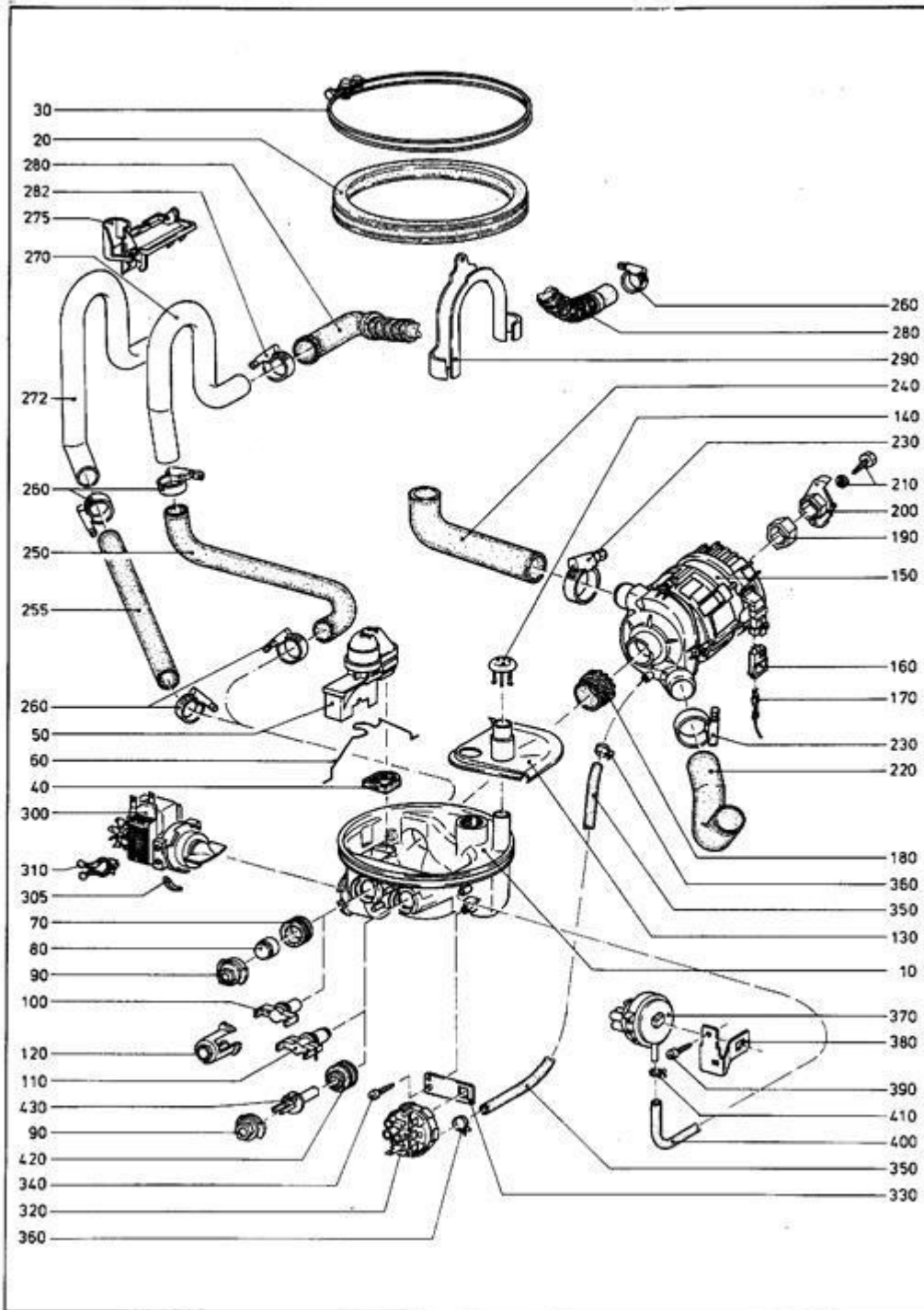
2373630-100

105 LAEK PROTECTION DEVICE, ONLY WATER-SOFTENER



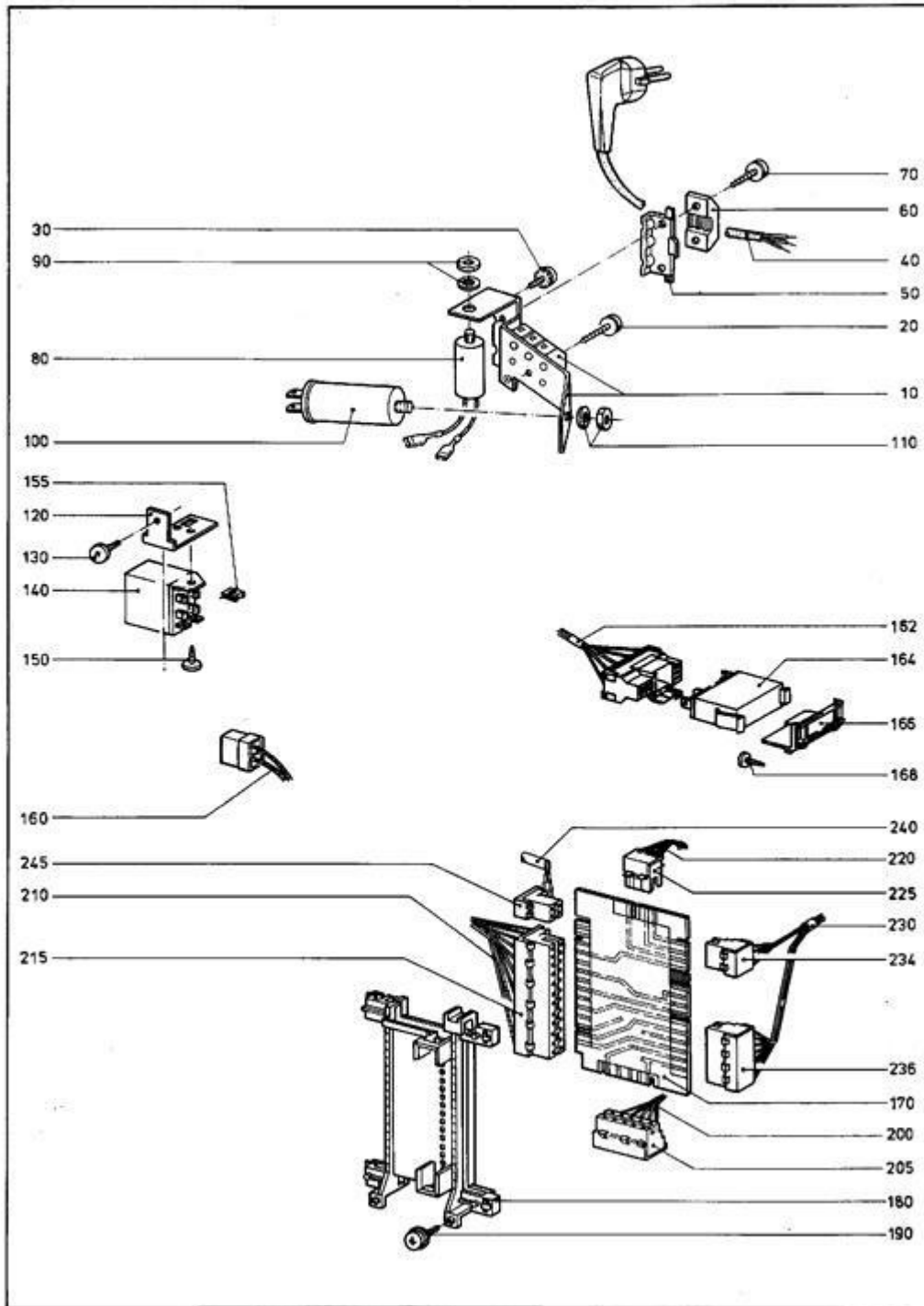
2373630-105

110 PUMPS,SUMP,CONNECTING HOSES,ELECTRICAL PARTS



2373630-110

120 ELECTRICAL CONNECTION,CABLE



2373630-120