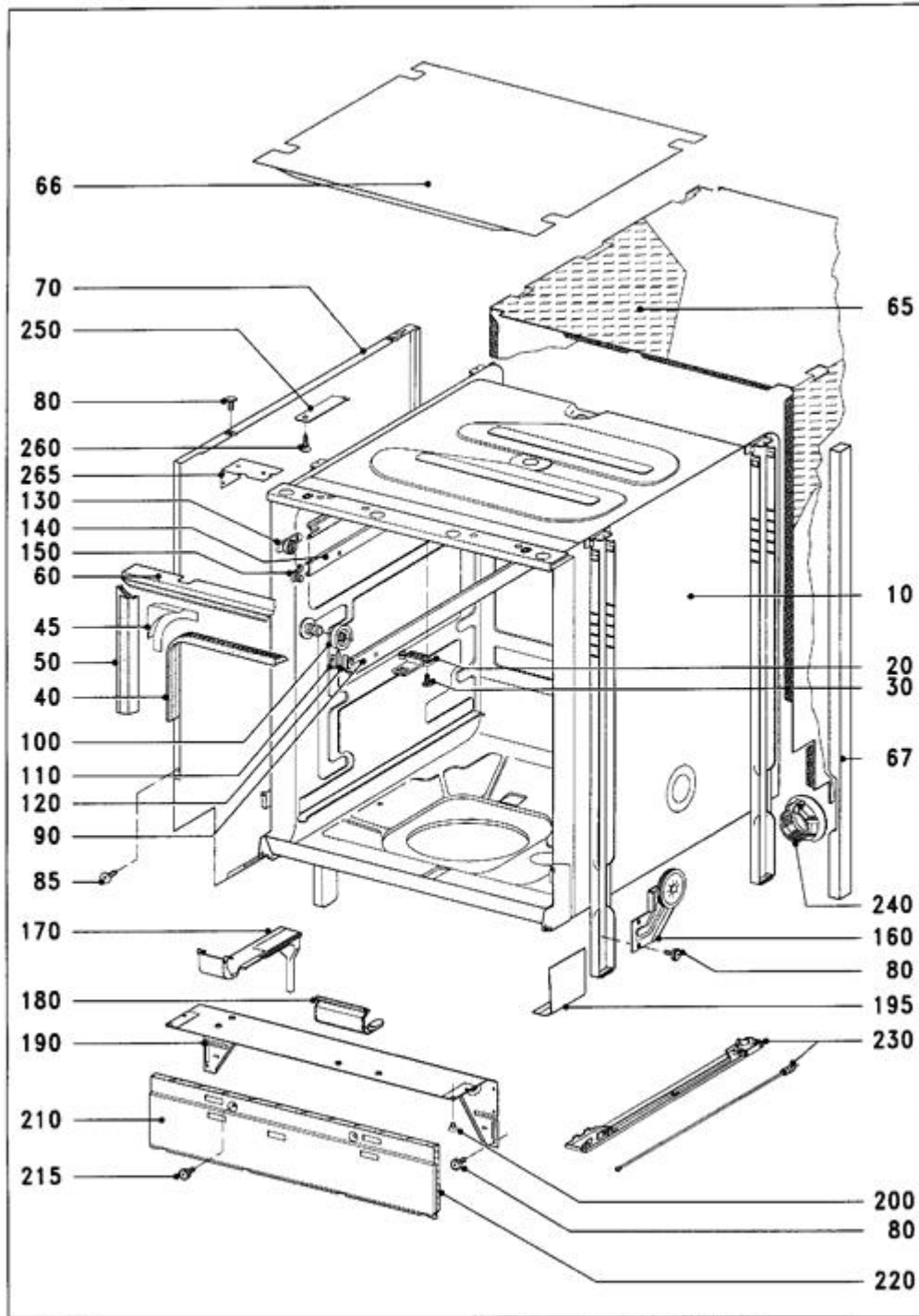
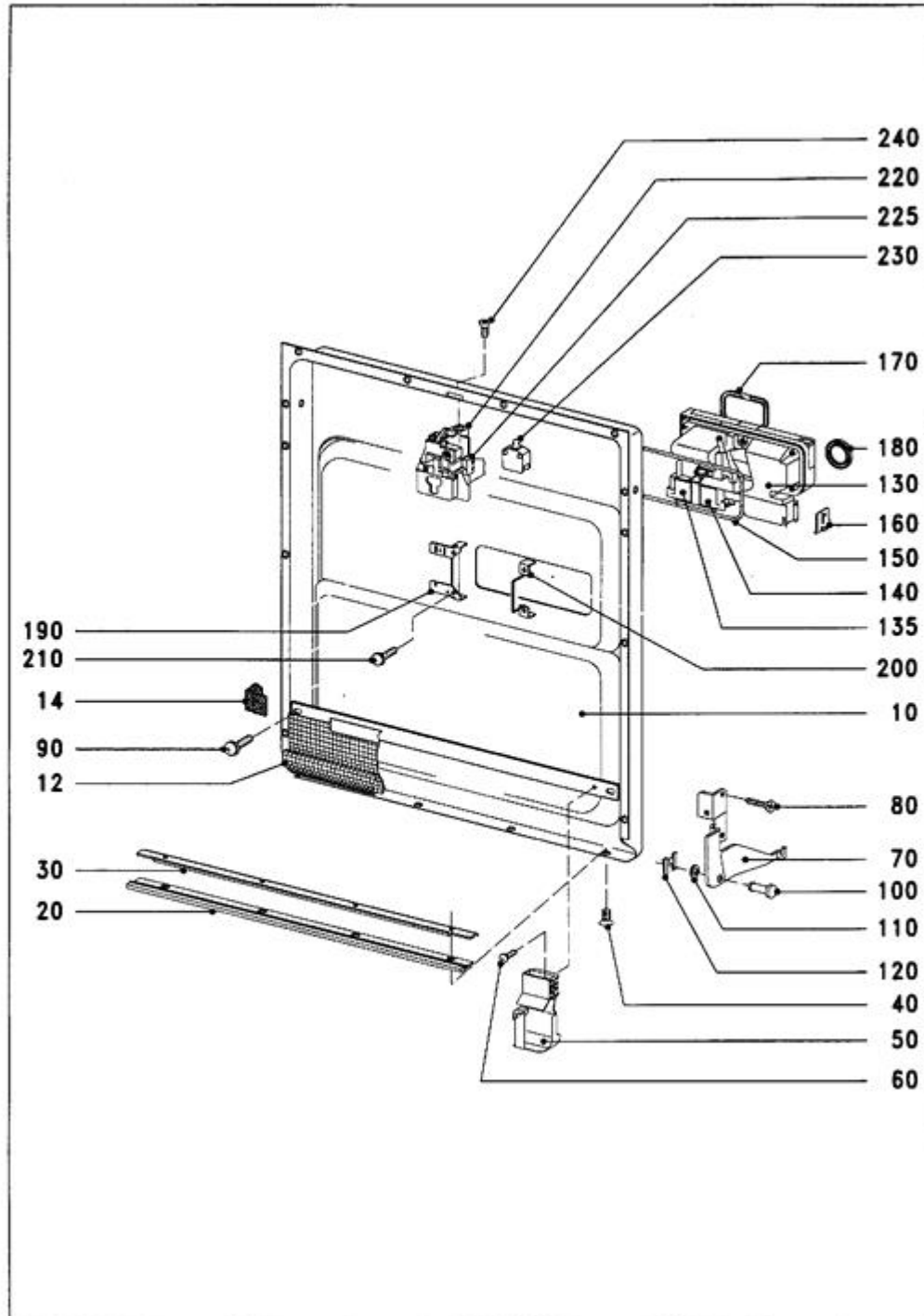


010 Inner cabinet



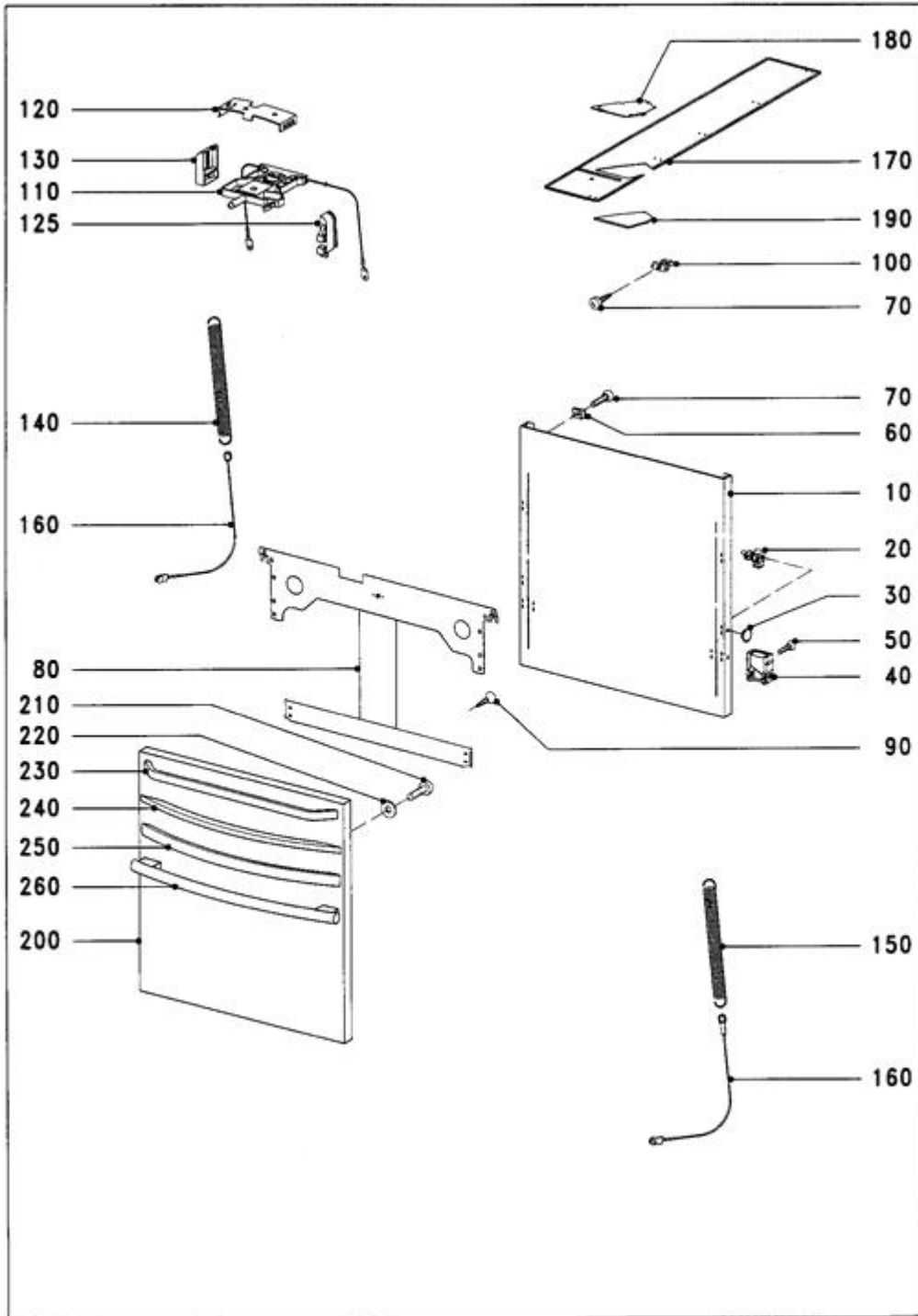
5531140-010

021 Door



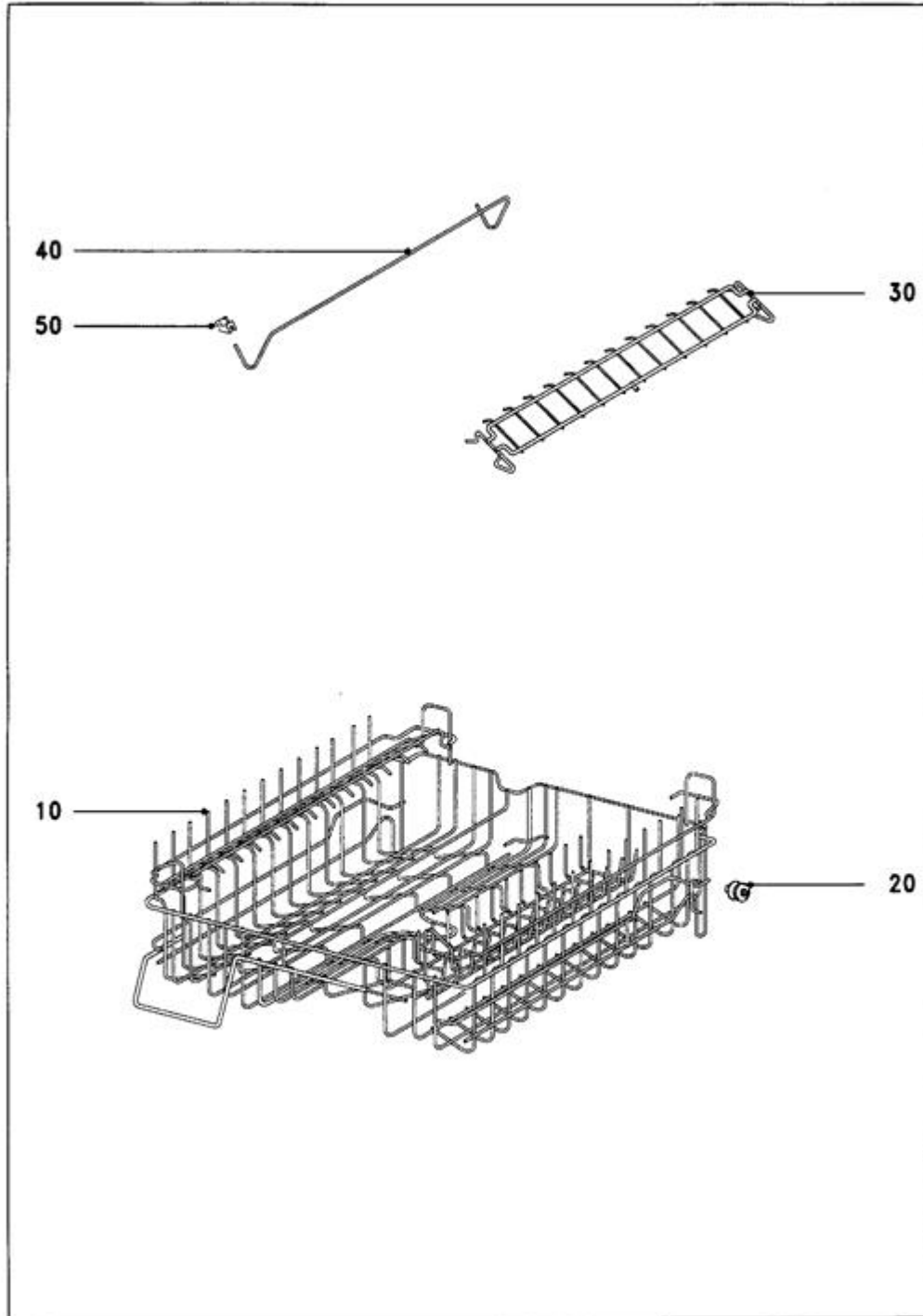
5531140-021

022 FRONTPANELLING



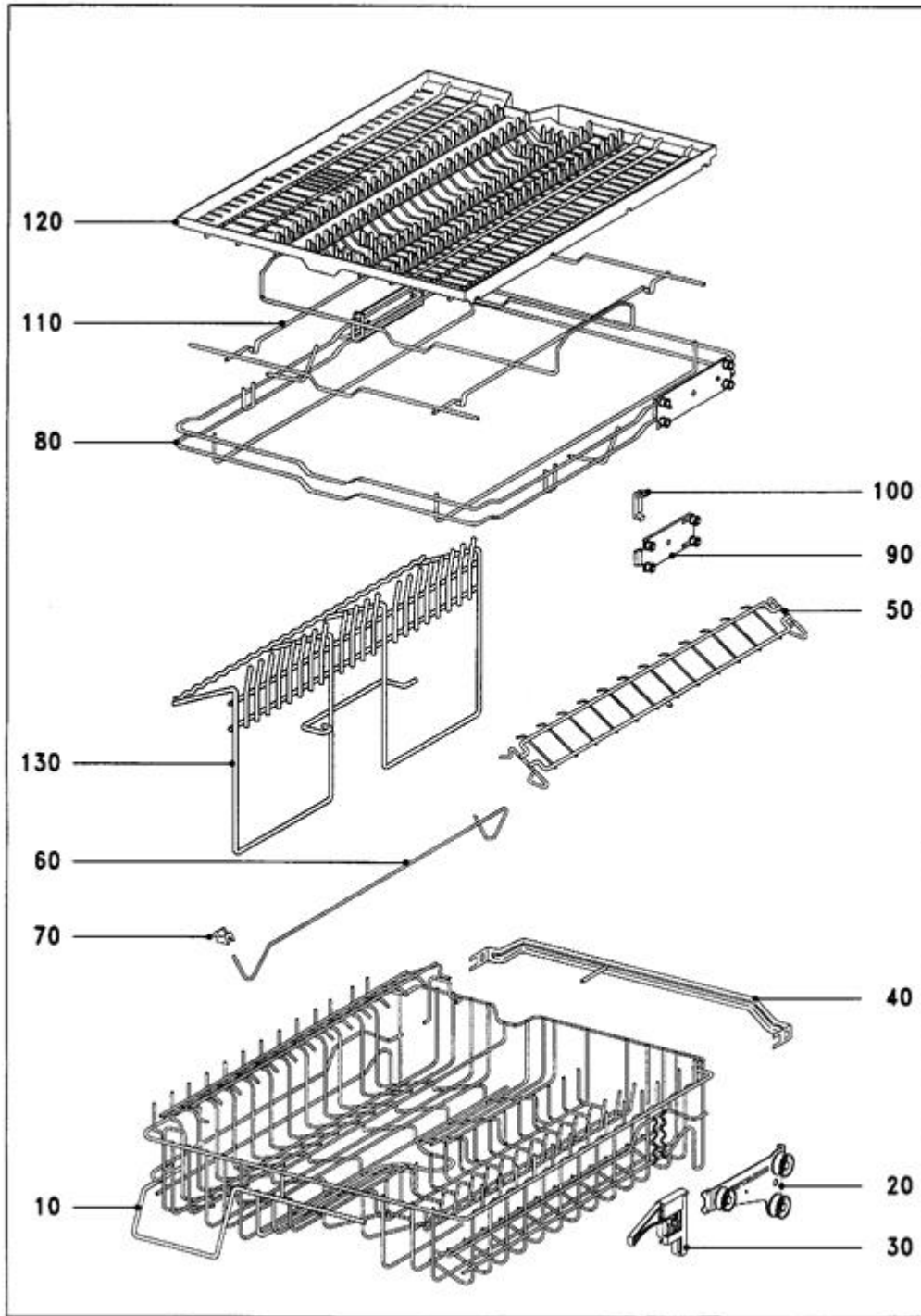
5531140-022

031 Top basket



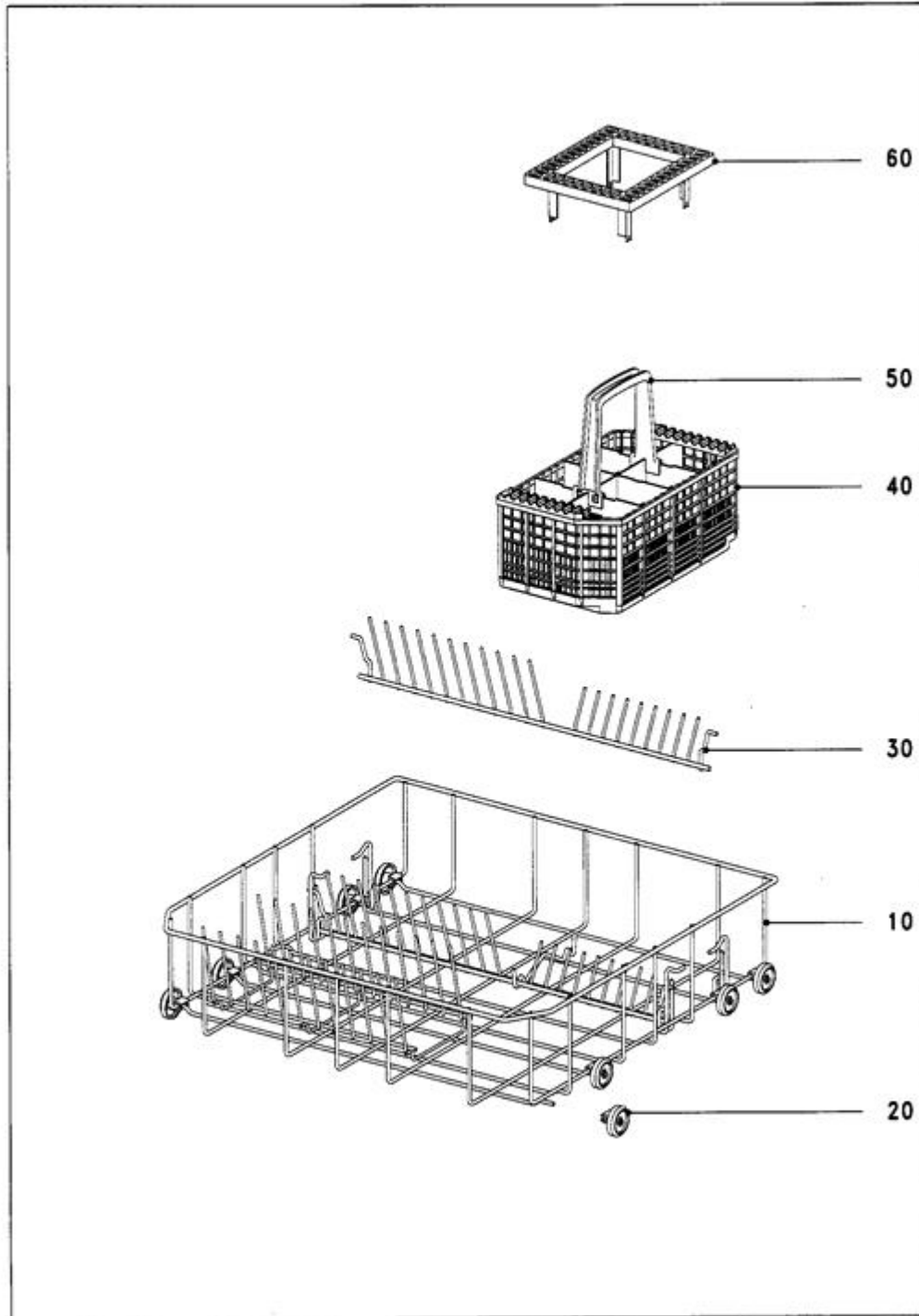
5525440-031

033 TOP BASKET



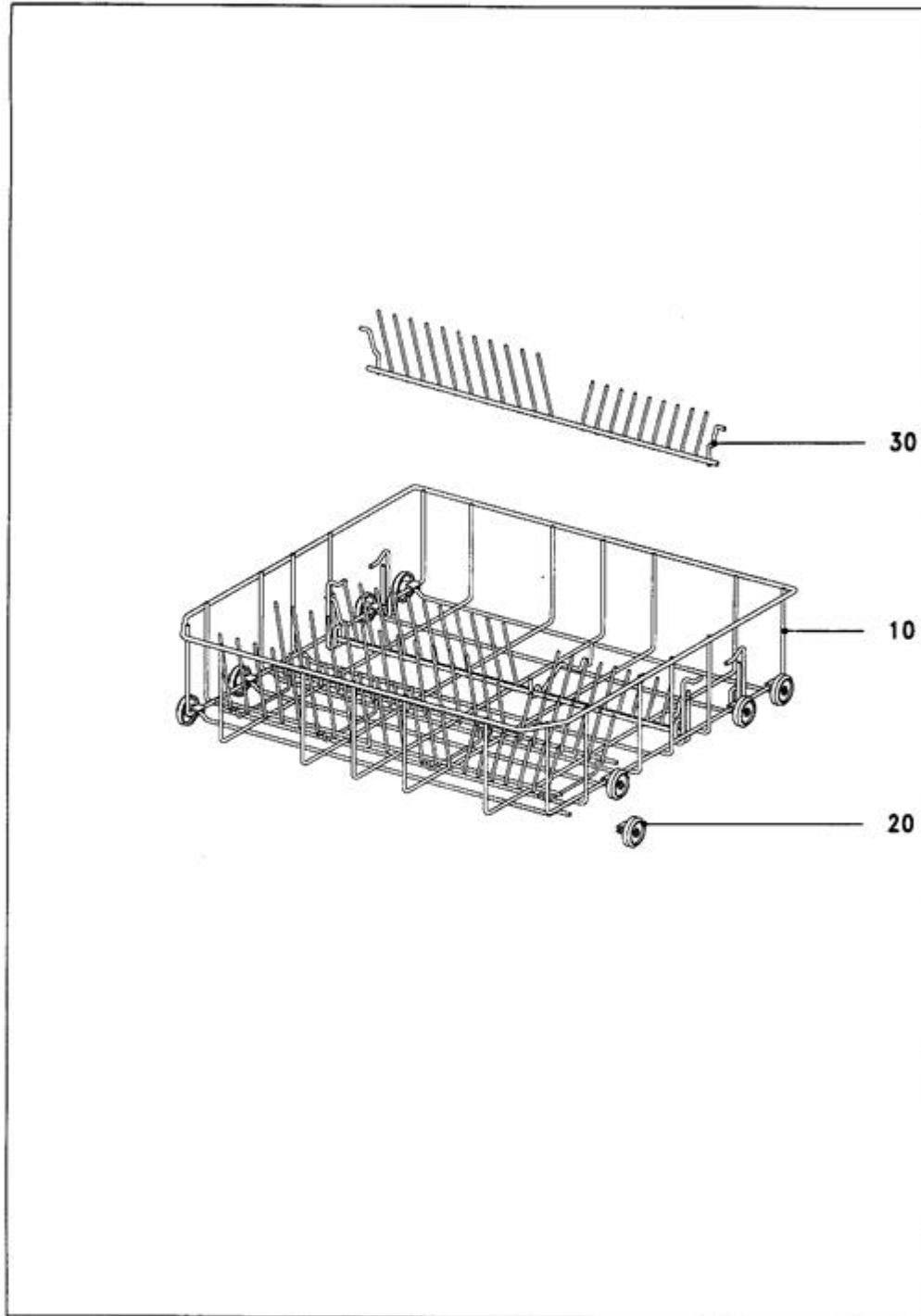
5525440-032

041 Bottom basket



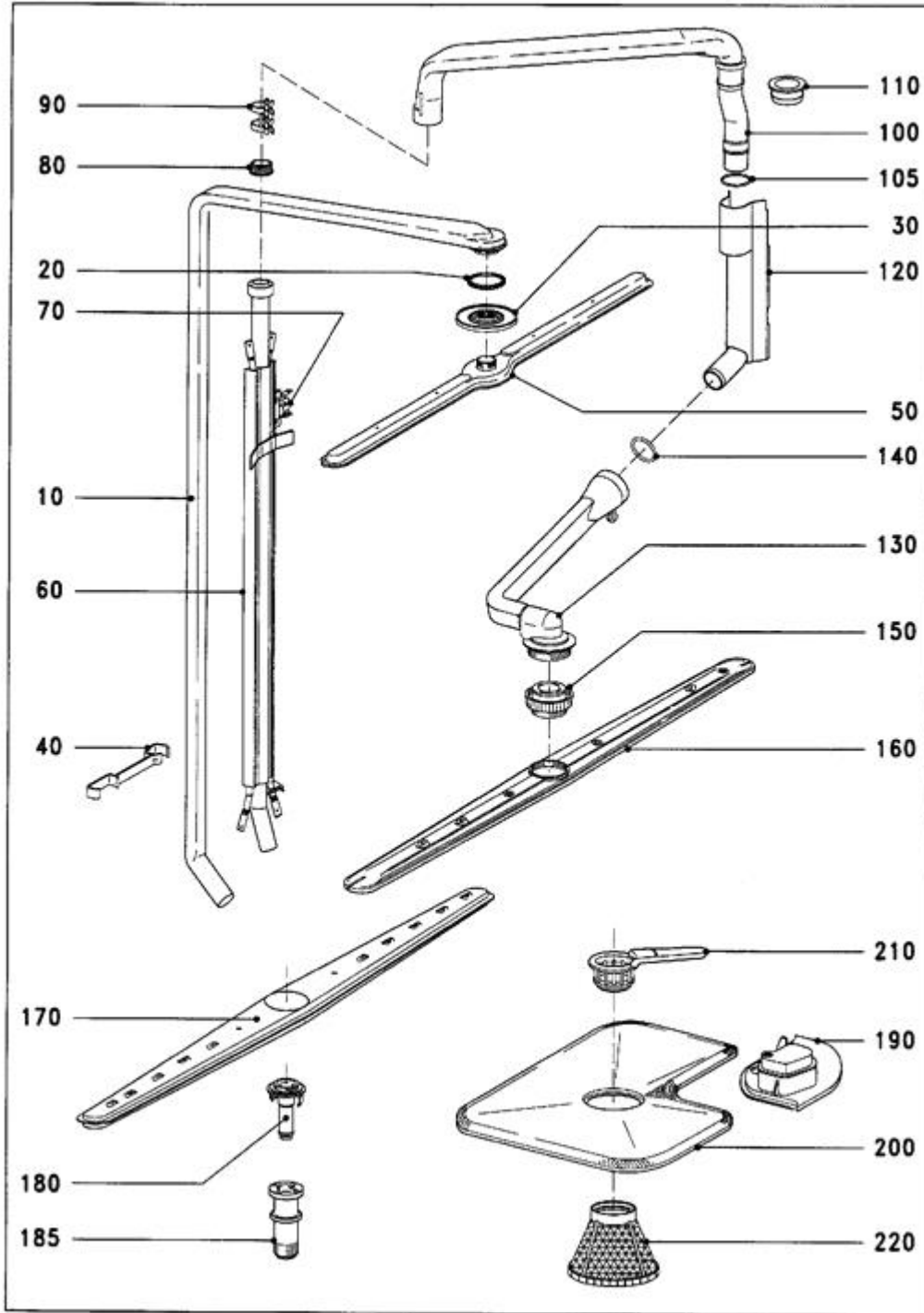
5525440-041

042 BOTTOM BASKET SC



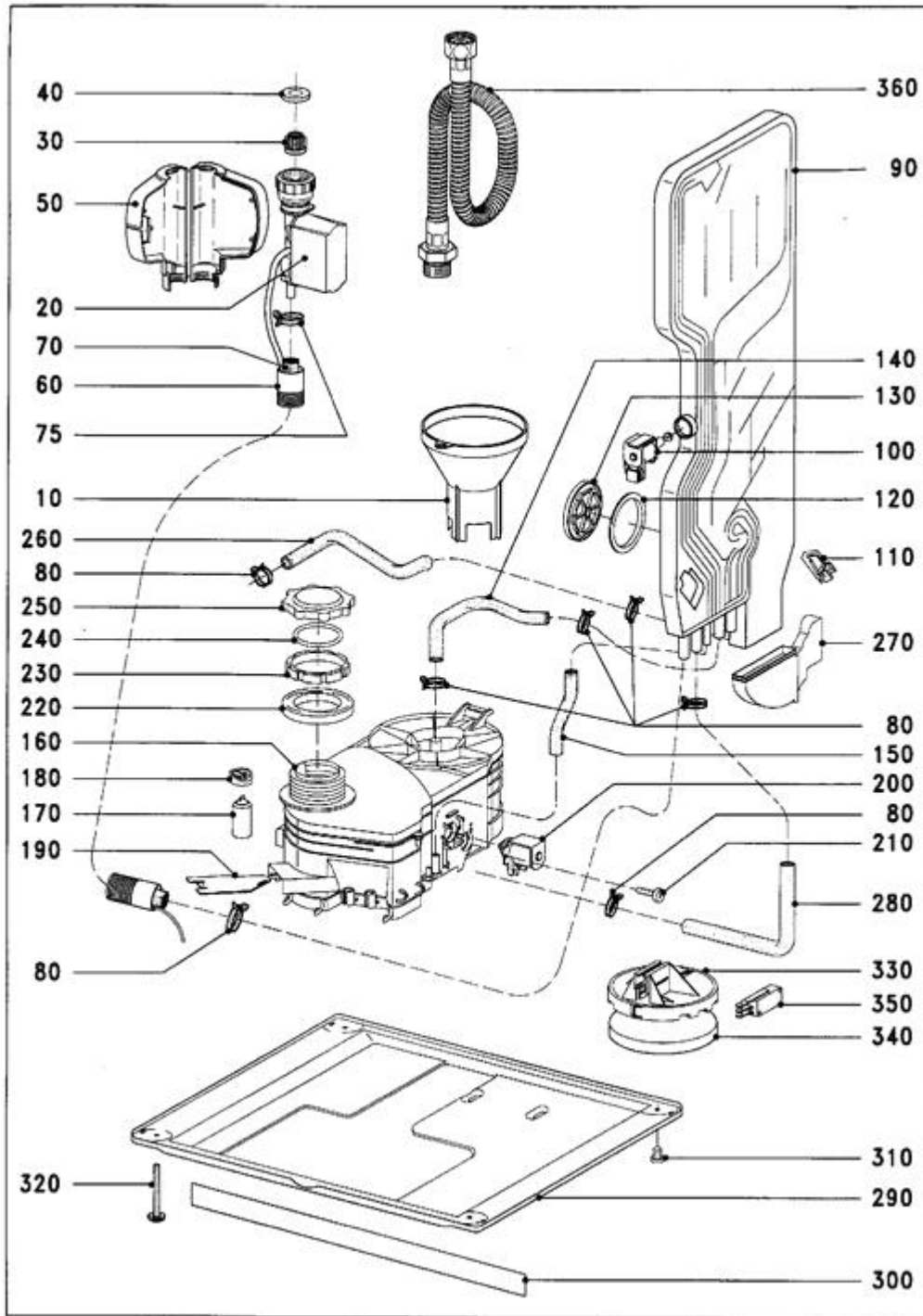
5525440-042

050 SPRAY SYSTEM-HEATER



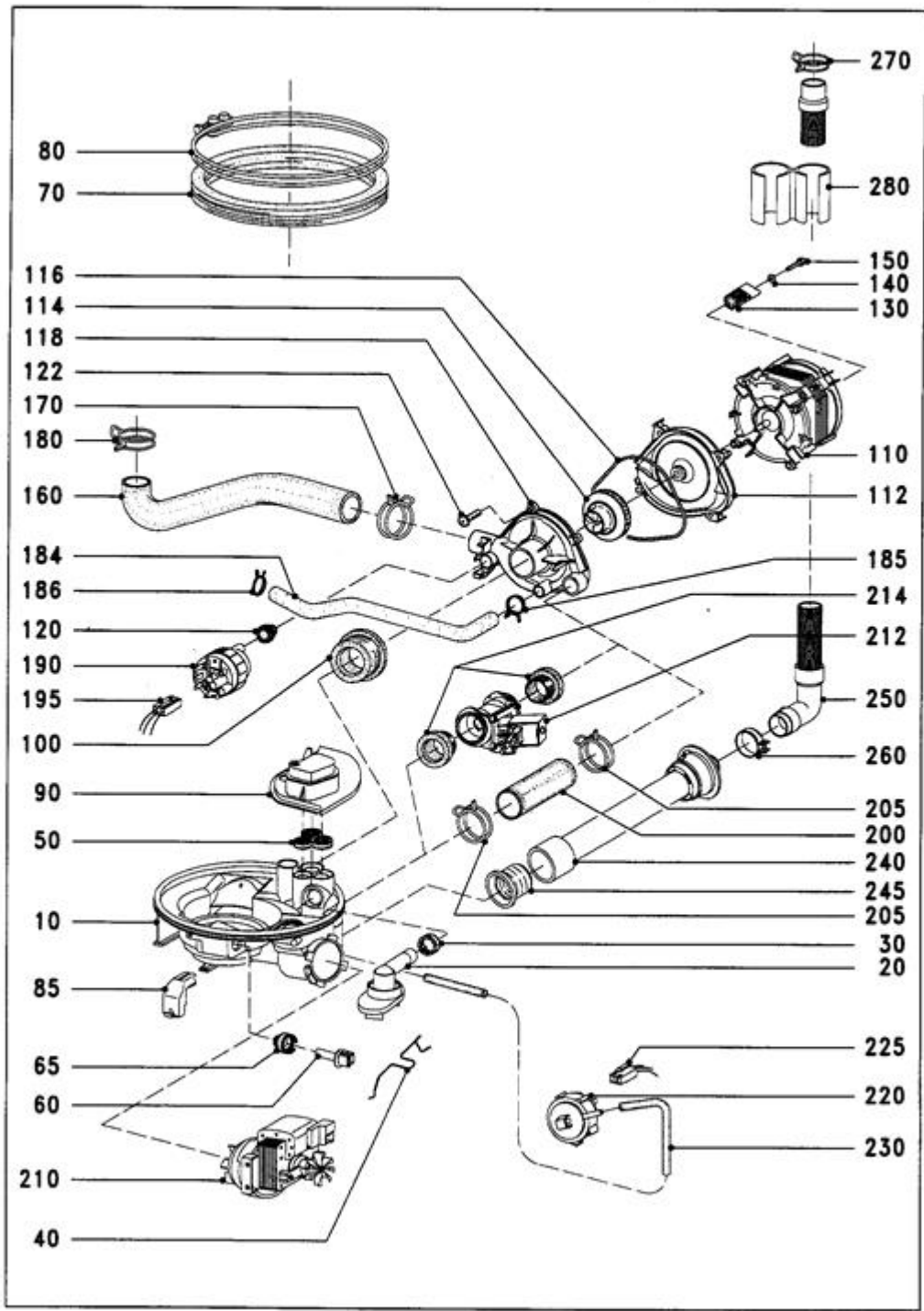
5525440-050

061 WATER INTAKE, WATER SOFTENER



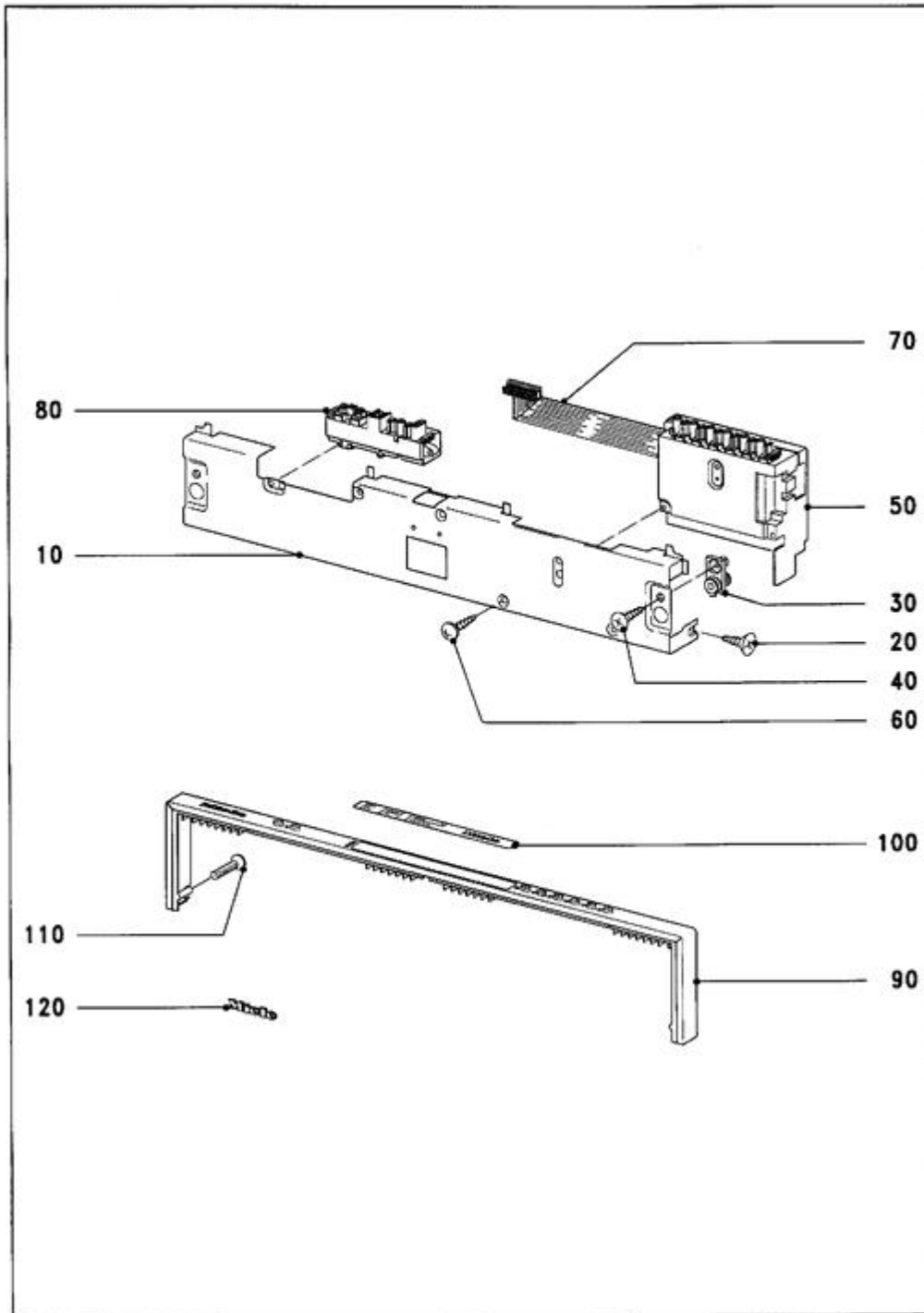
5531140-061

071 DRAINAGE,SUMP,CIRCULATION PUMP



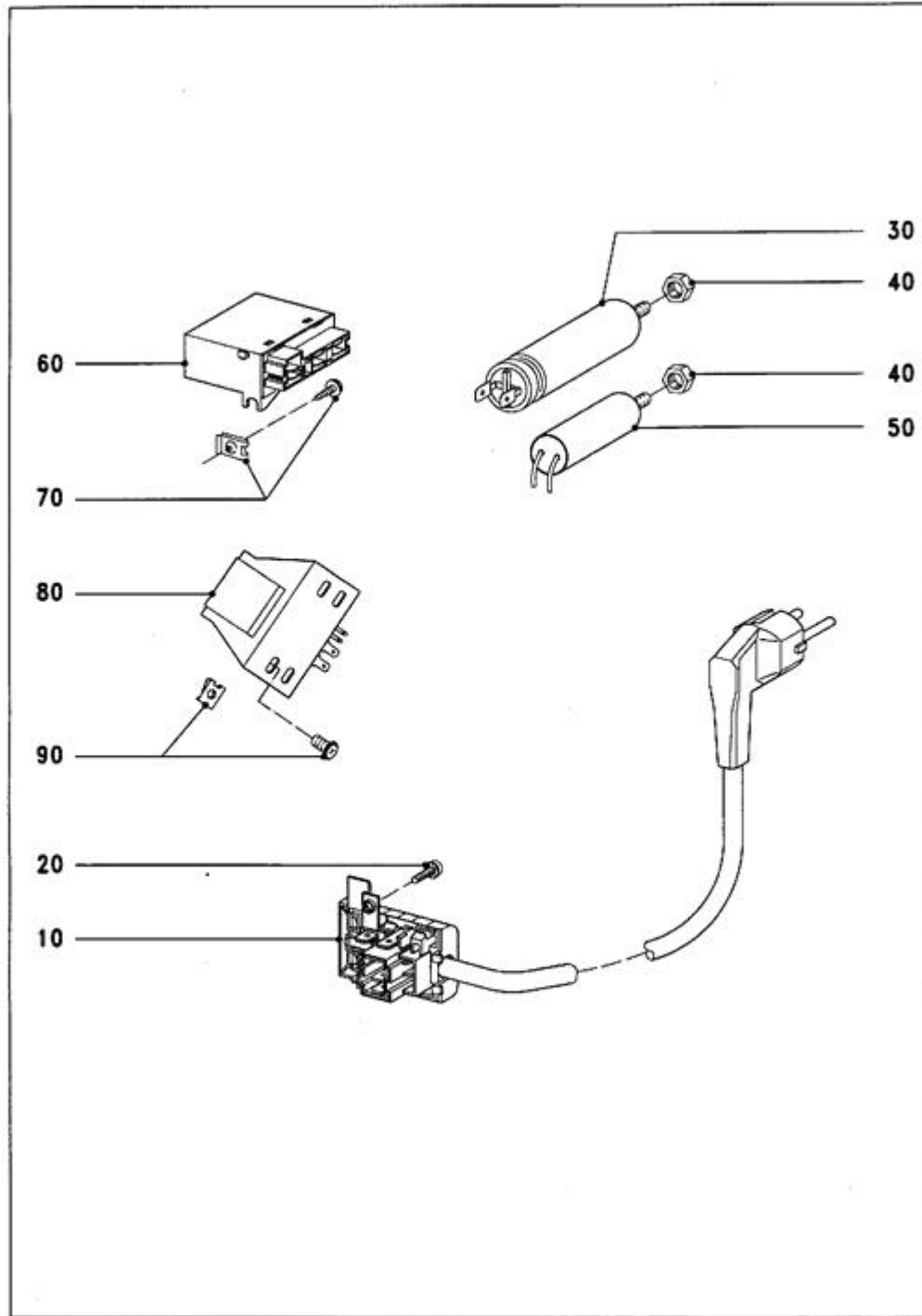
5528110-070

080 Fascia panel



5082740-080

090 ELECTRICAL INSTALLATIONS



5531140-090