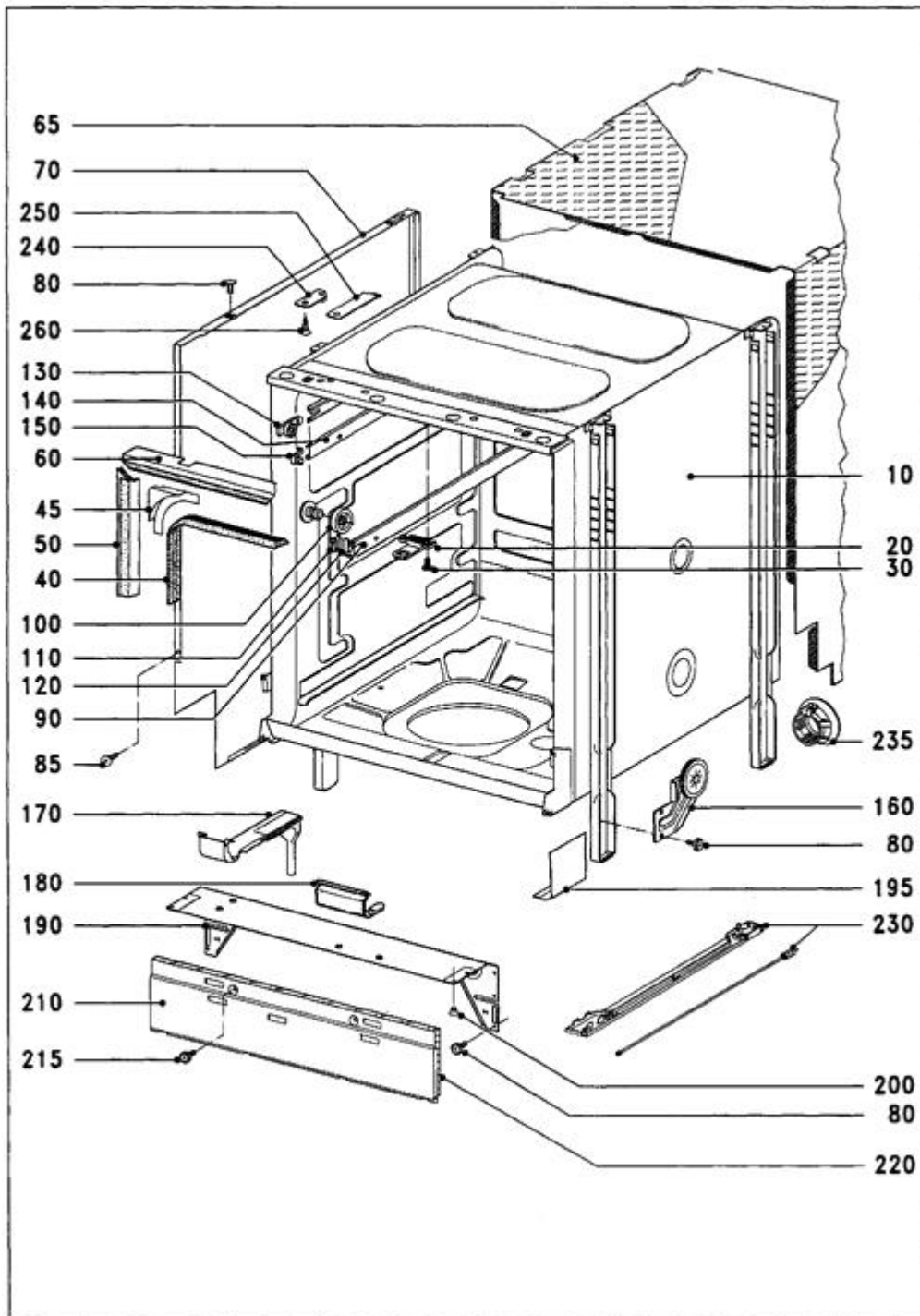
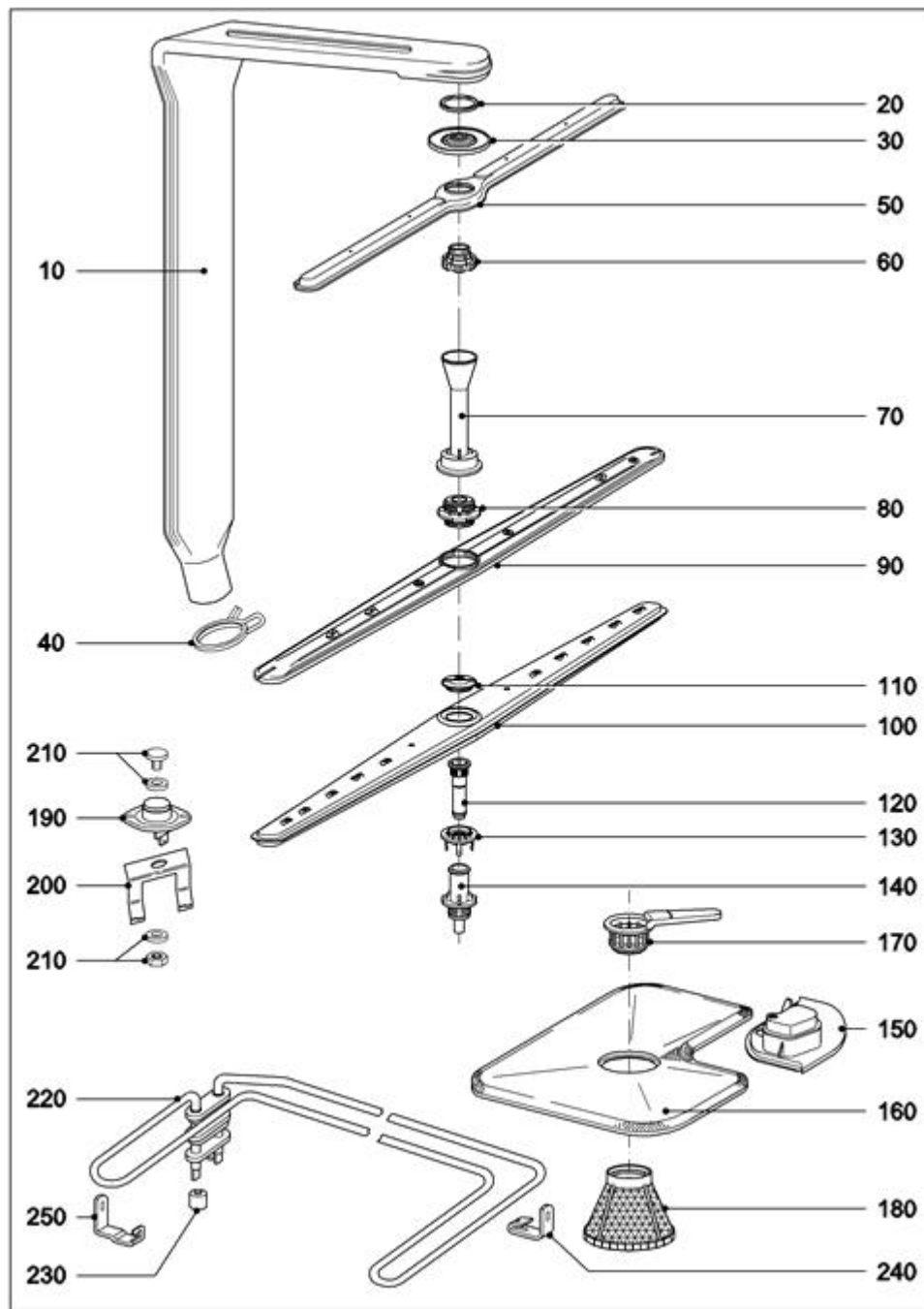


010 INNER CABINET, SIDE PANEL



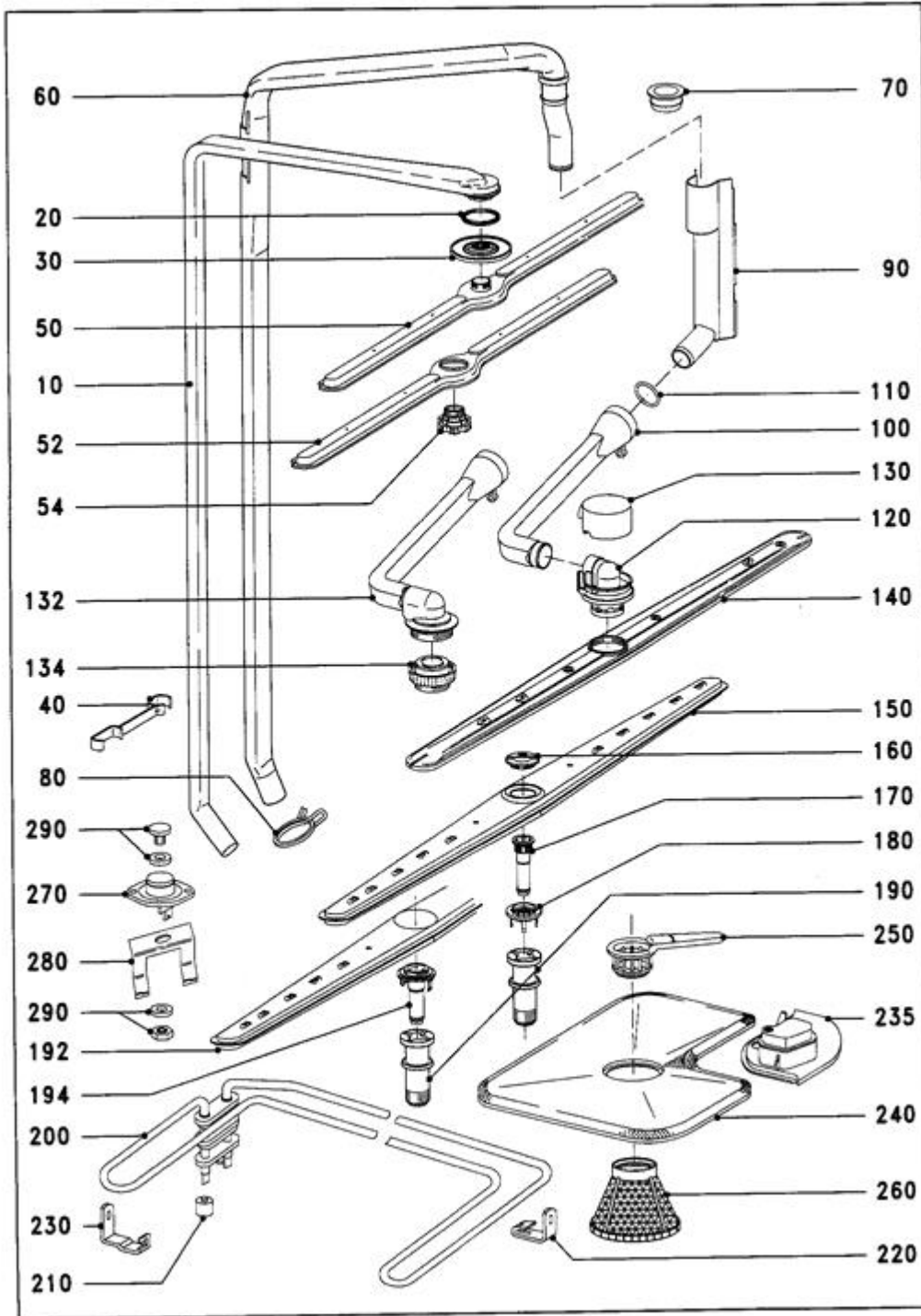
5144500-010

020 SPRAY SYSTEM-HEATER



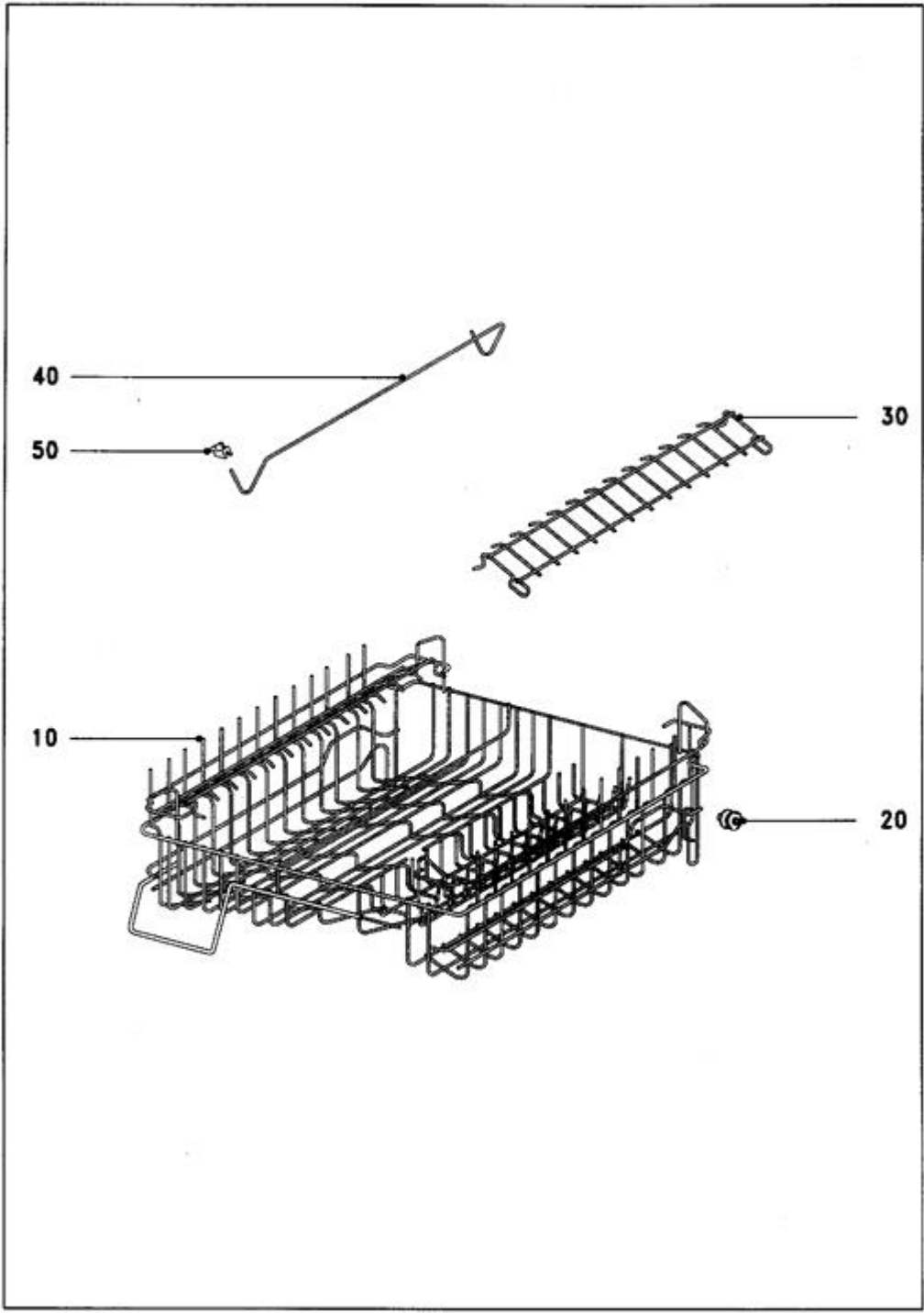
60506

022 SPRAY SYSTEM-HEATER, FROM INDEX 19



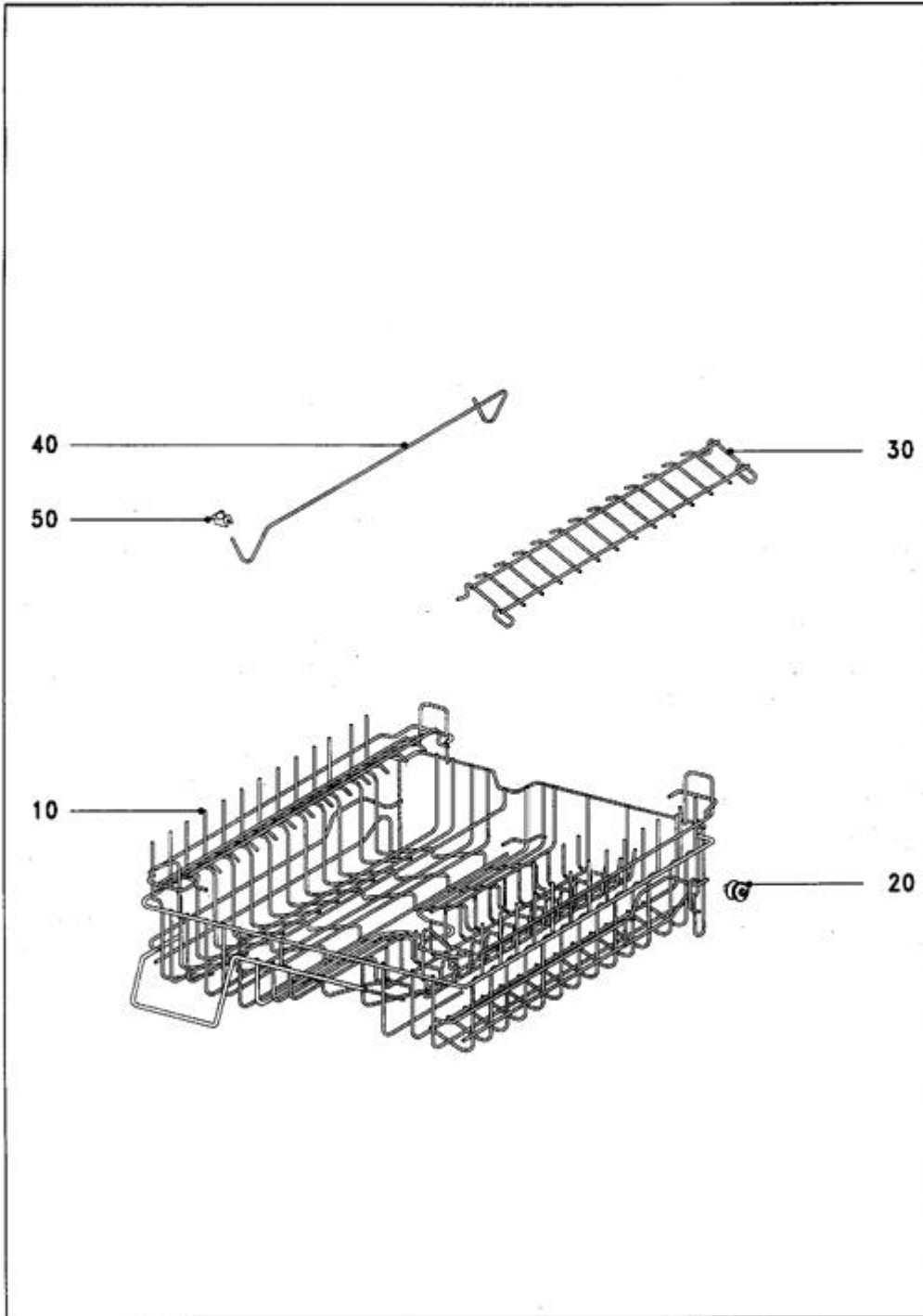
4291310-022-D

030 TOP BASKET AND INSERTS



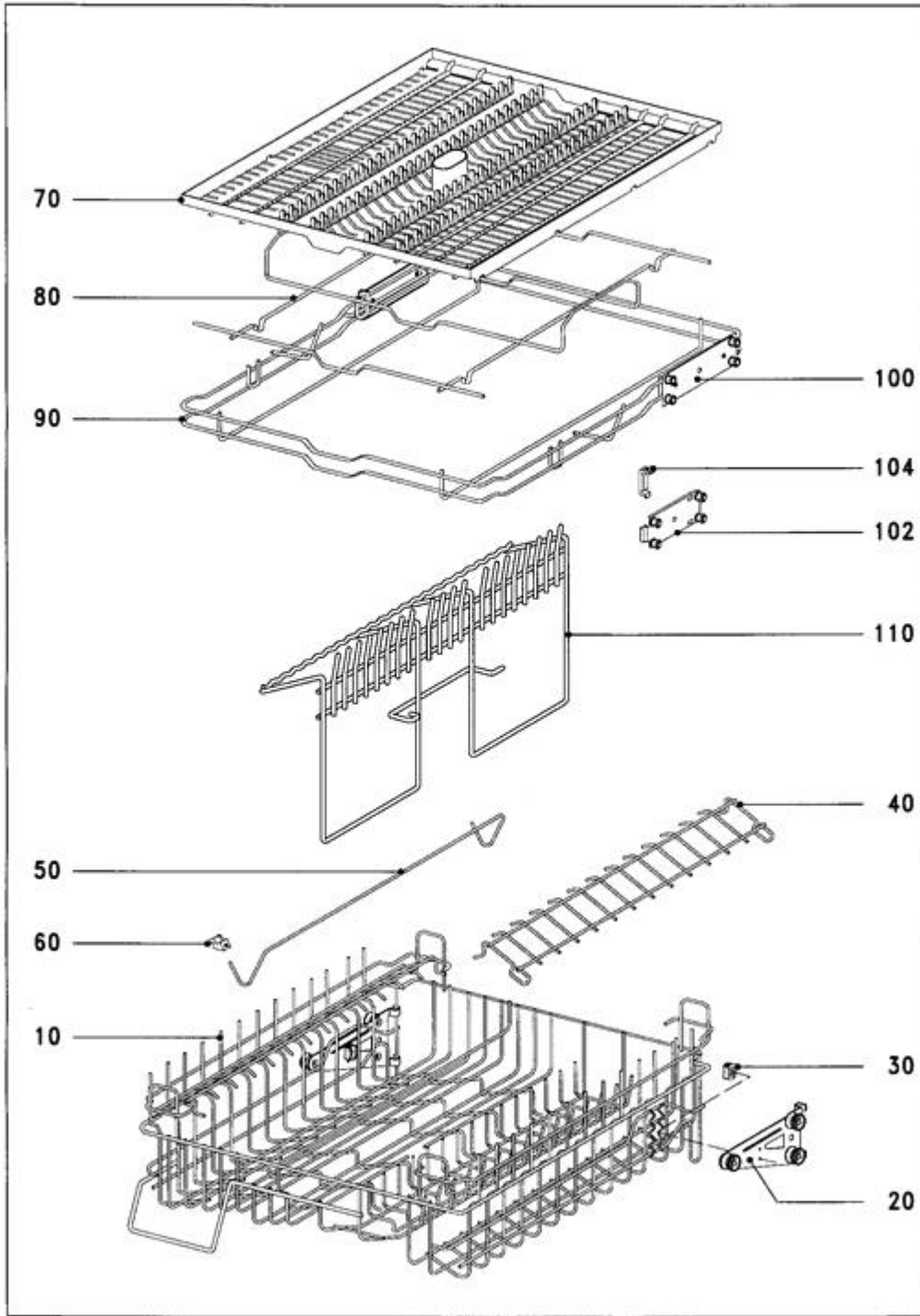
4669190-040

032 TOP BASKET AND INSERTS FROM INDEX 19



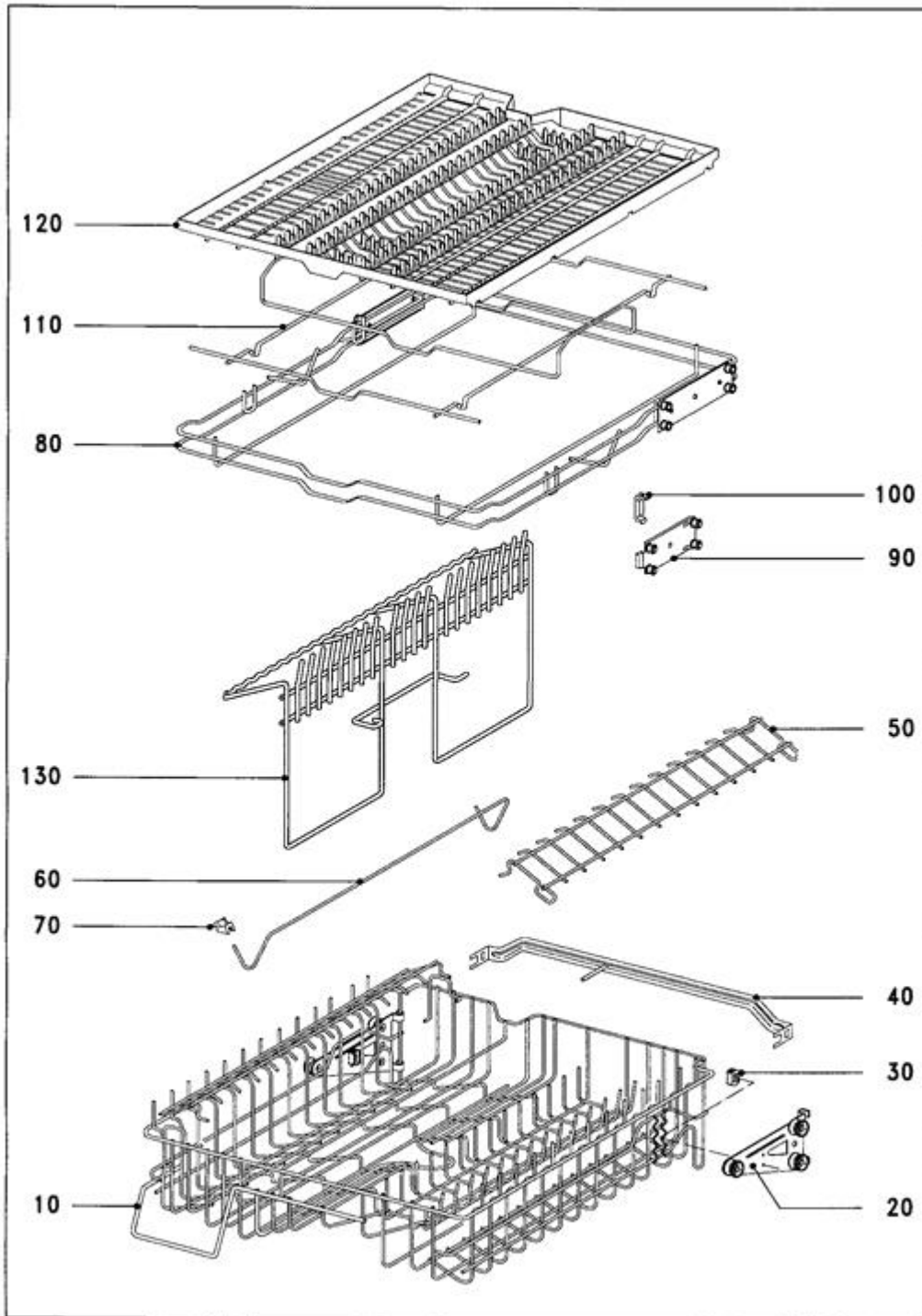
4441730-032

035 TOP BASKET AND INSERTS SC



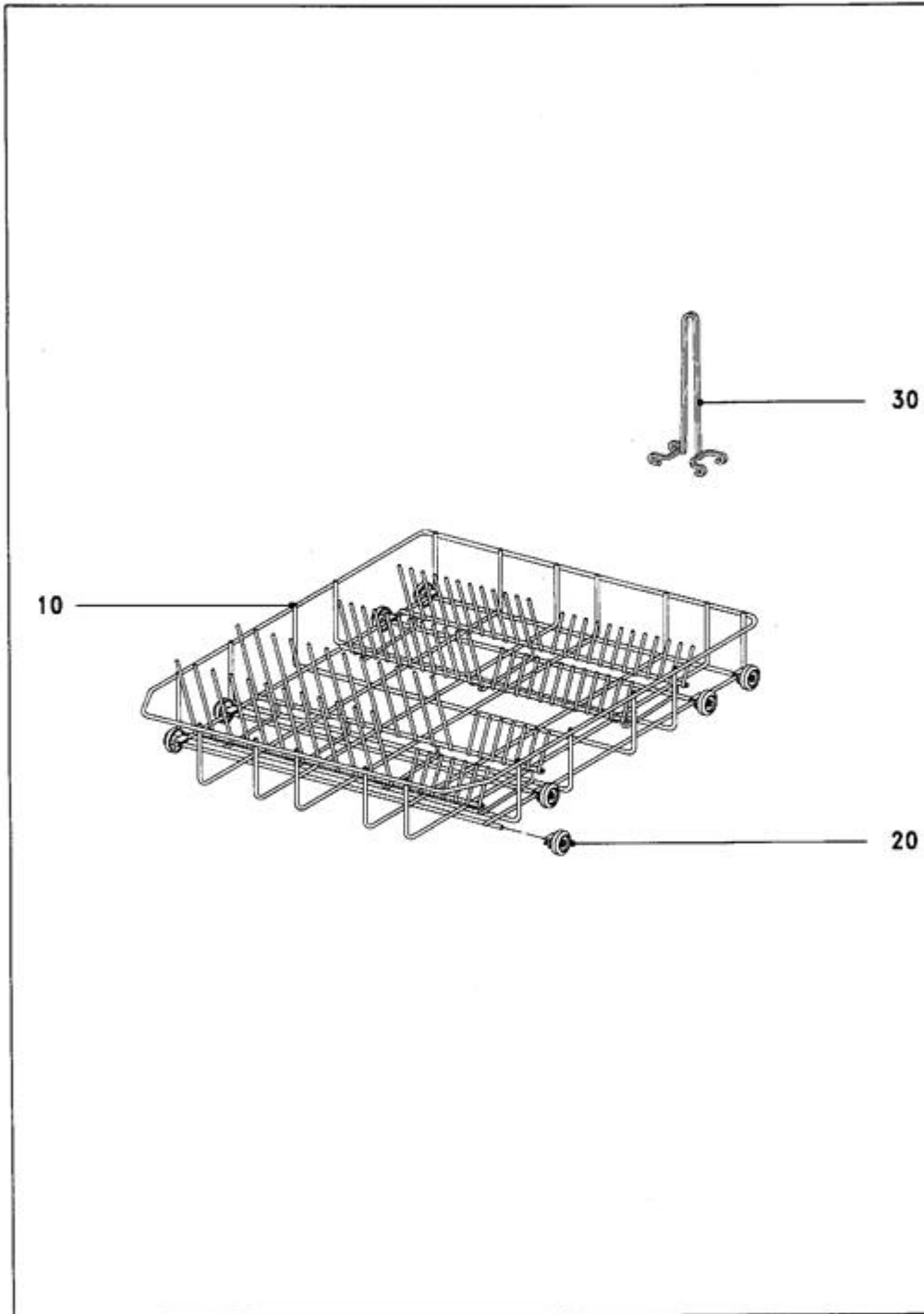
4344410-040

037 TOP BASKET AND INSERTS SC FROM INDEX 19



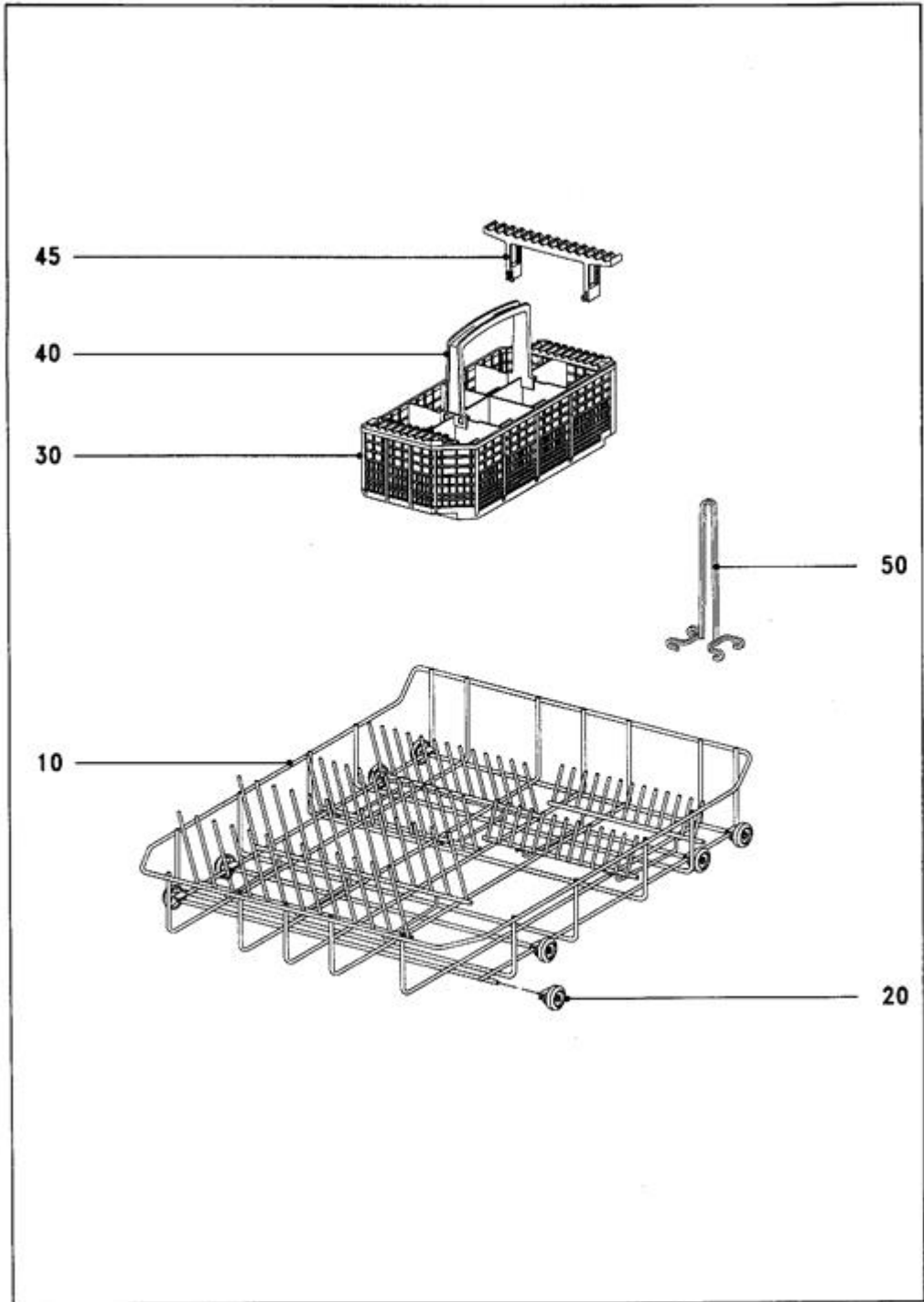
4344410-042

040 BOTTOM BASKET SC



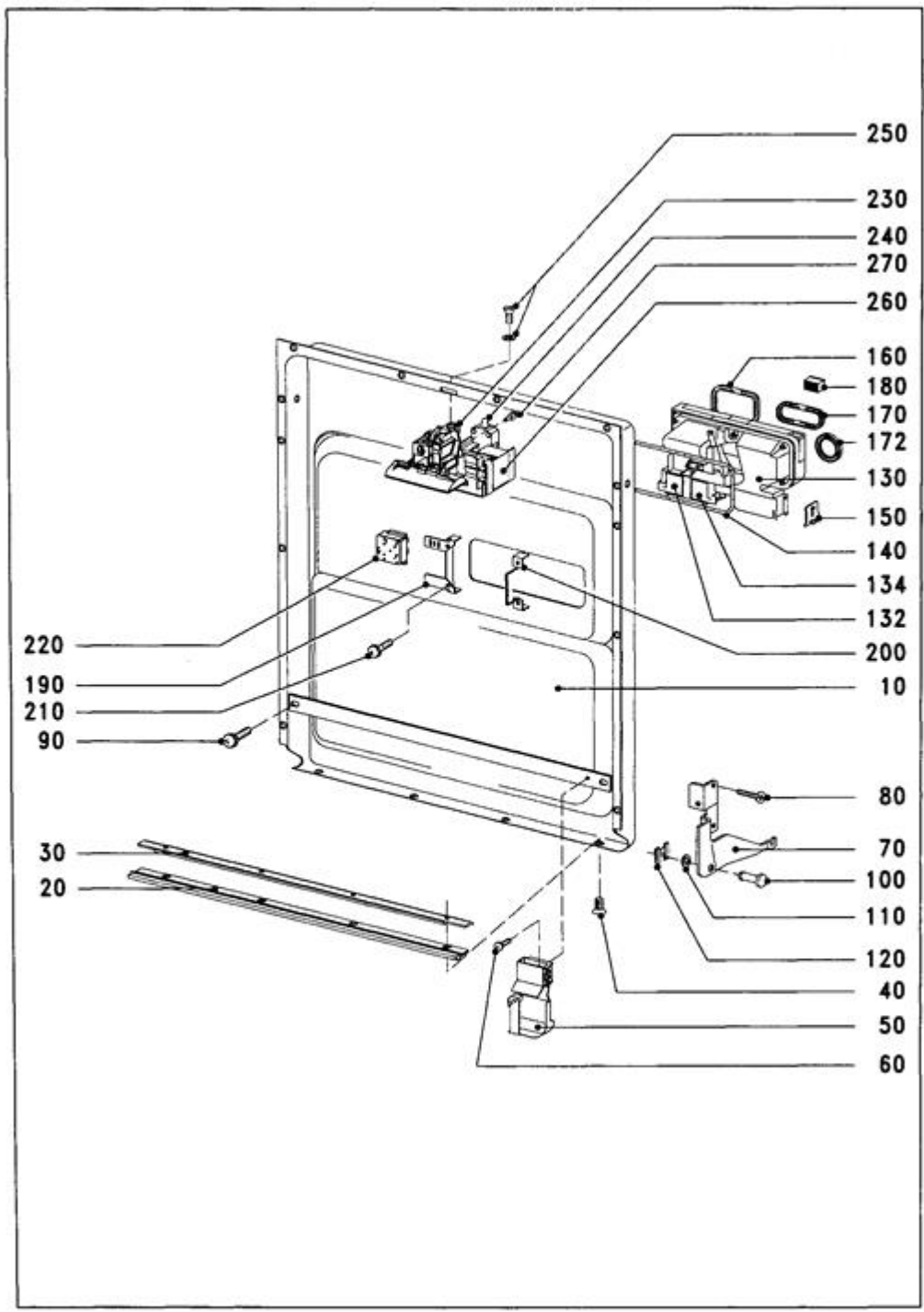
5072780-042

050 BOTTOM BASKET



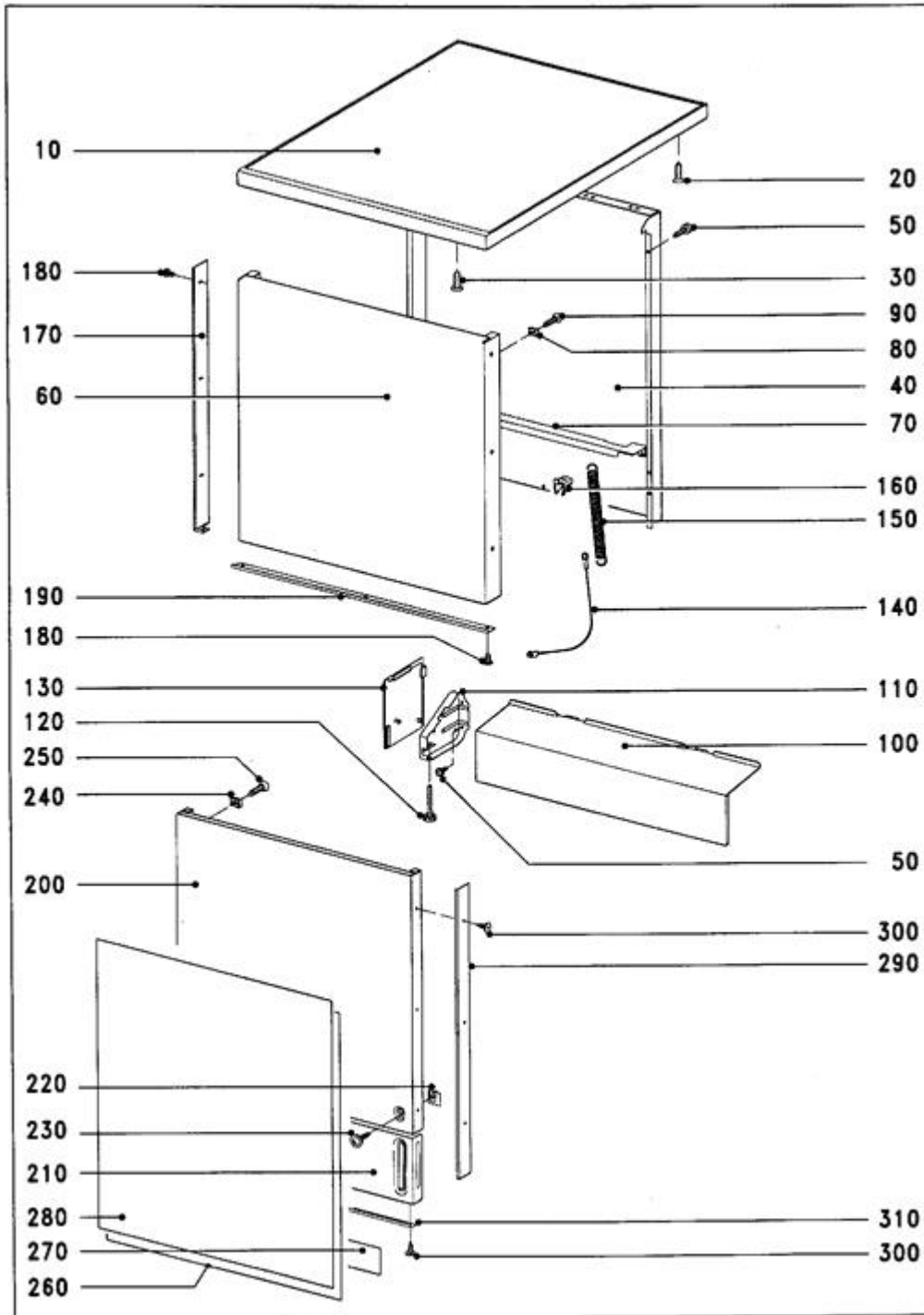
5072780-041

060 Door



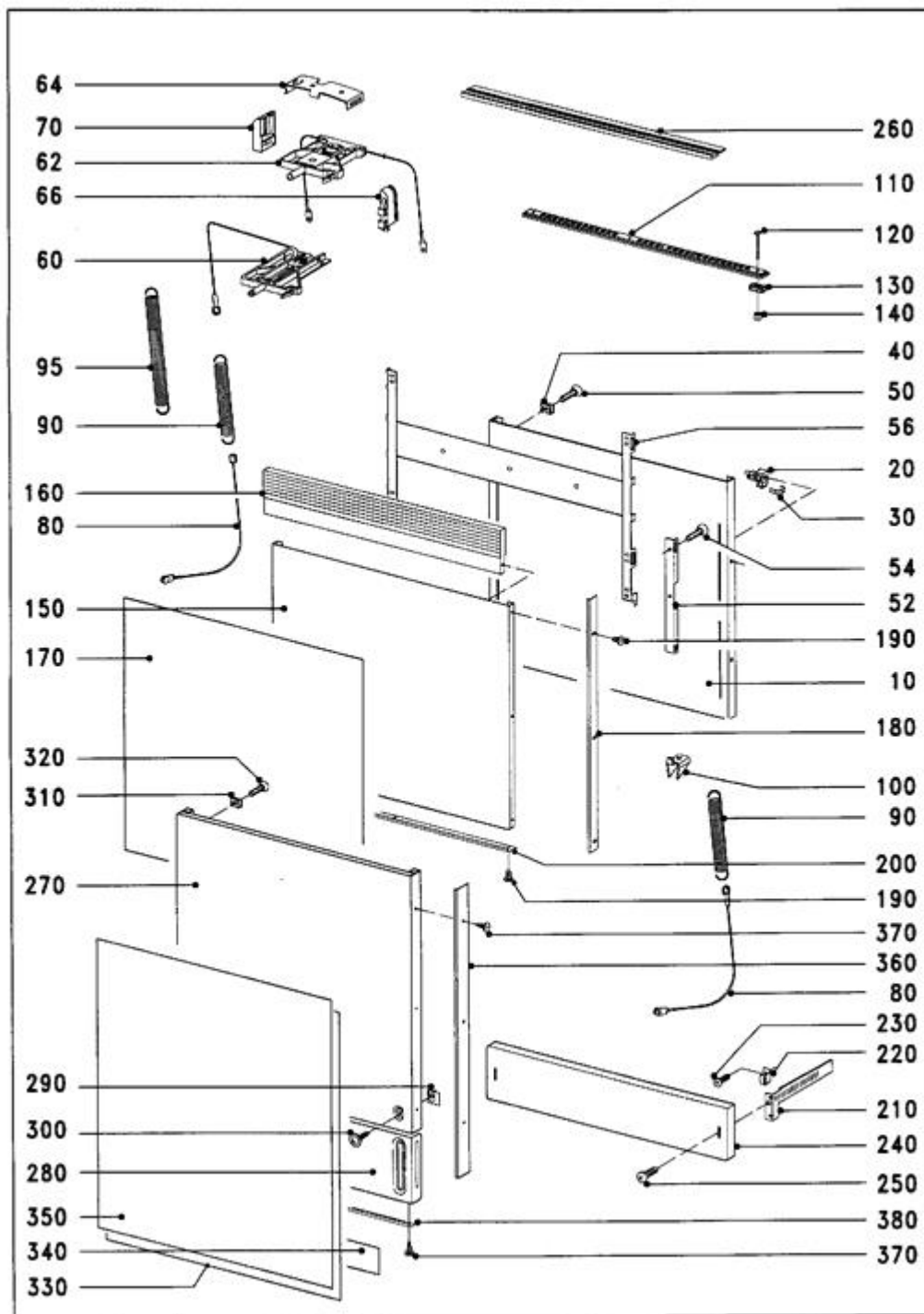
4441730-070

070 FRONTPANEL FREESTANDING DISHWASHER



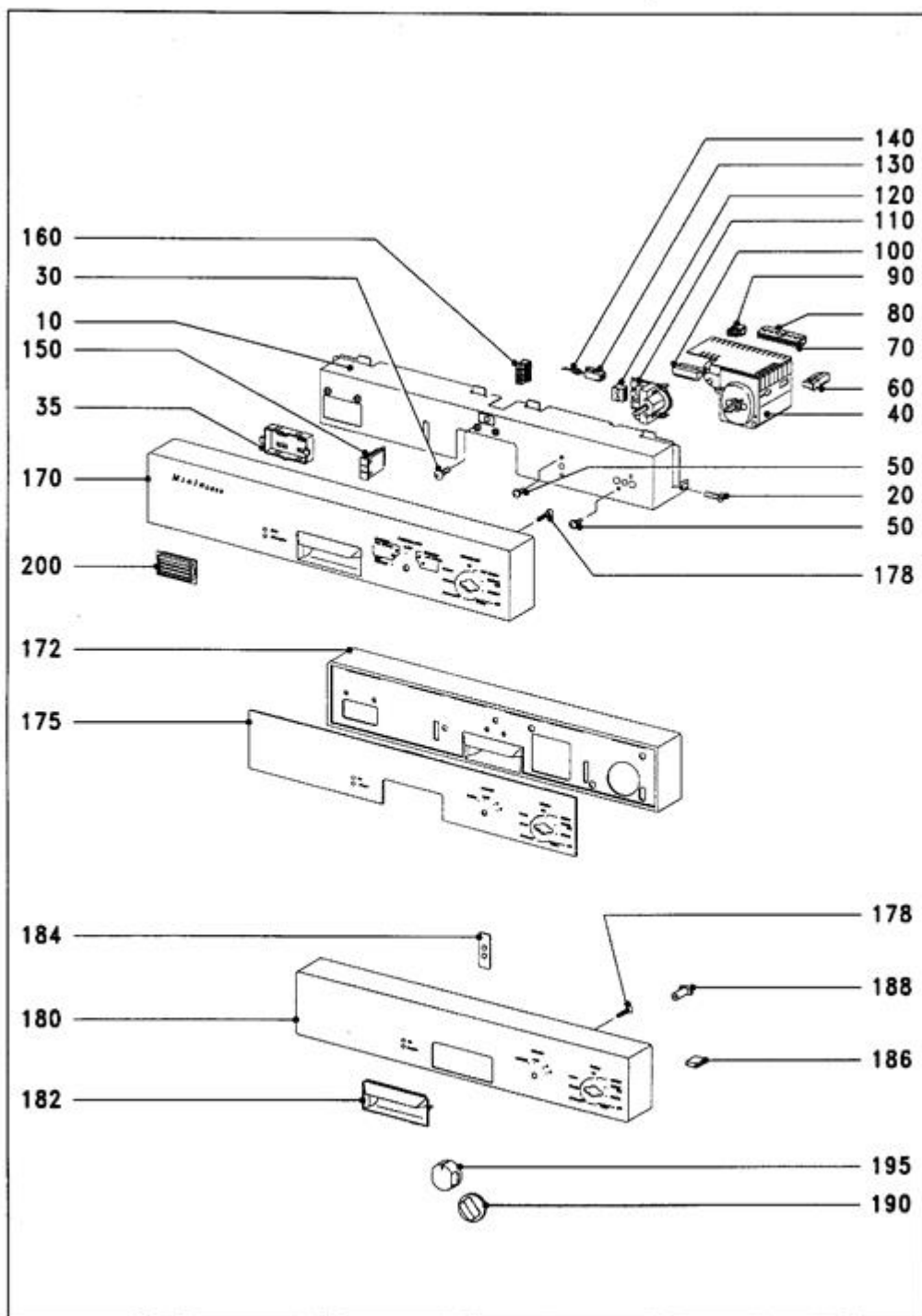
5072780-022

080 FRONTPANEL I VERSION DISHWASHER F GDU



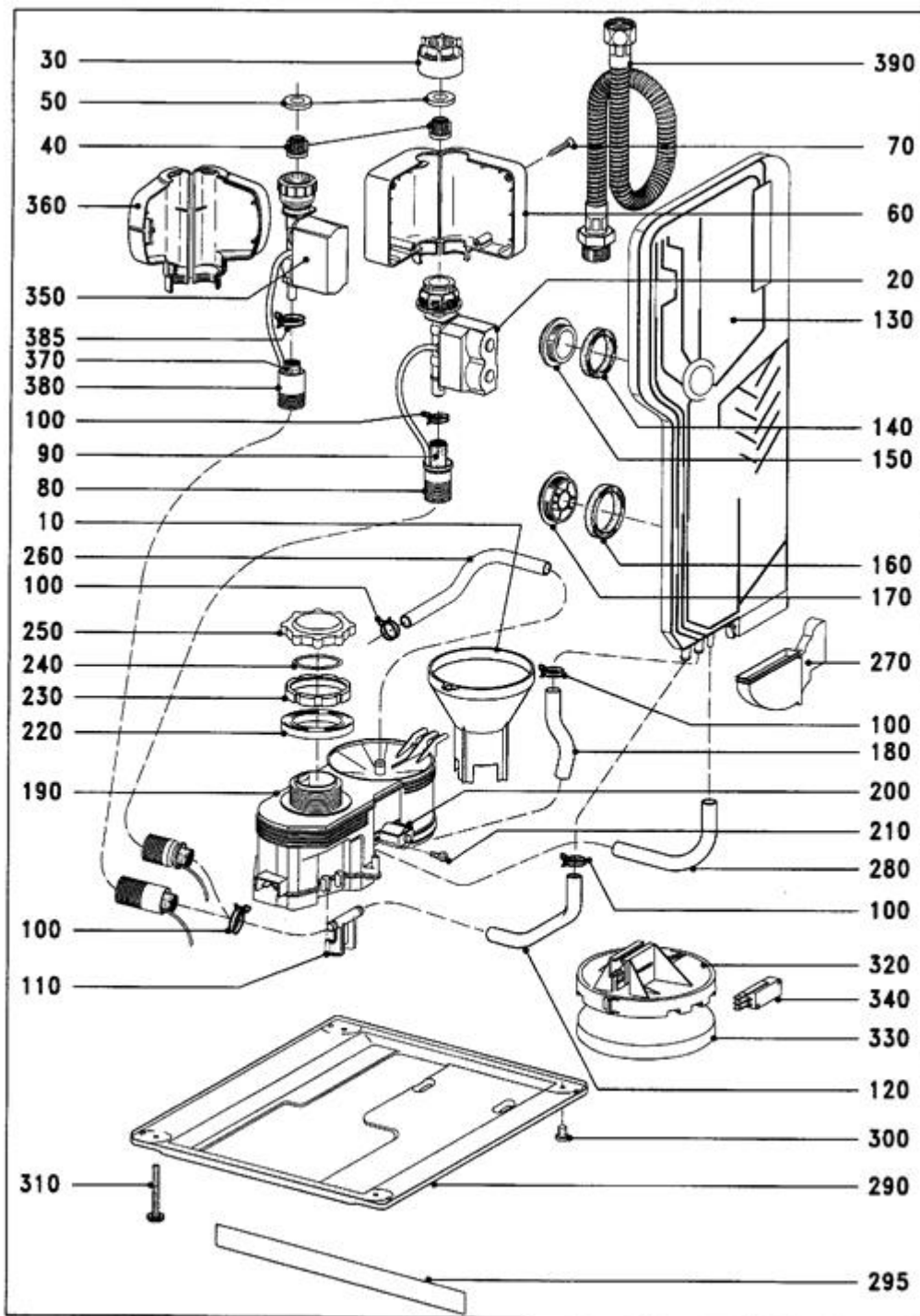
4291310-080-D

090 FACIA PANEL,PROGRAMME TIMER G660-G664



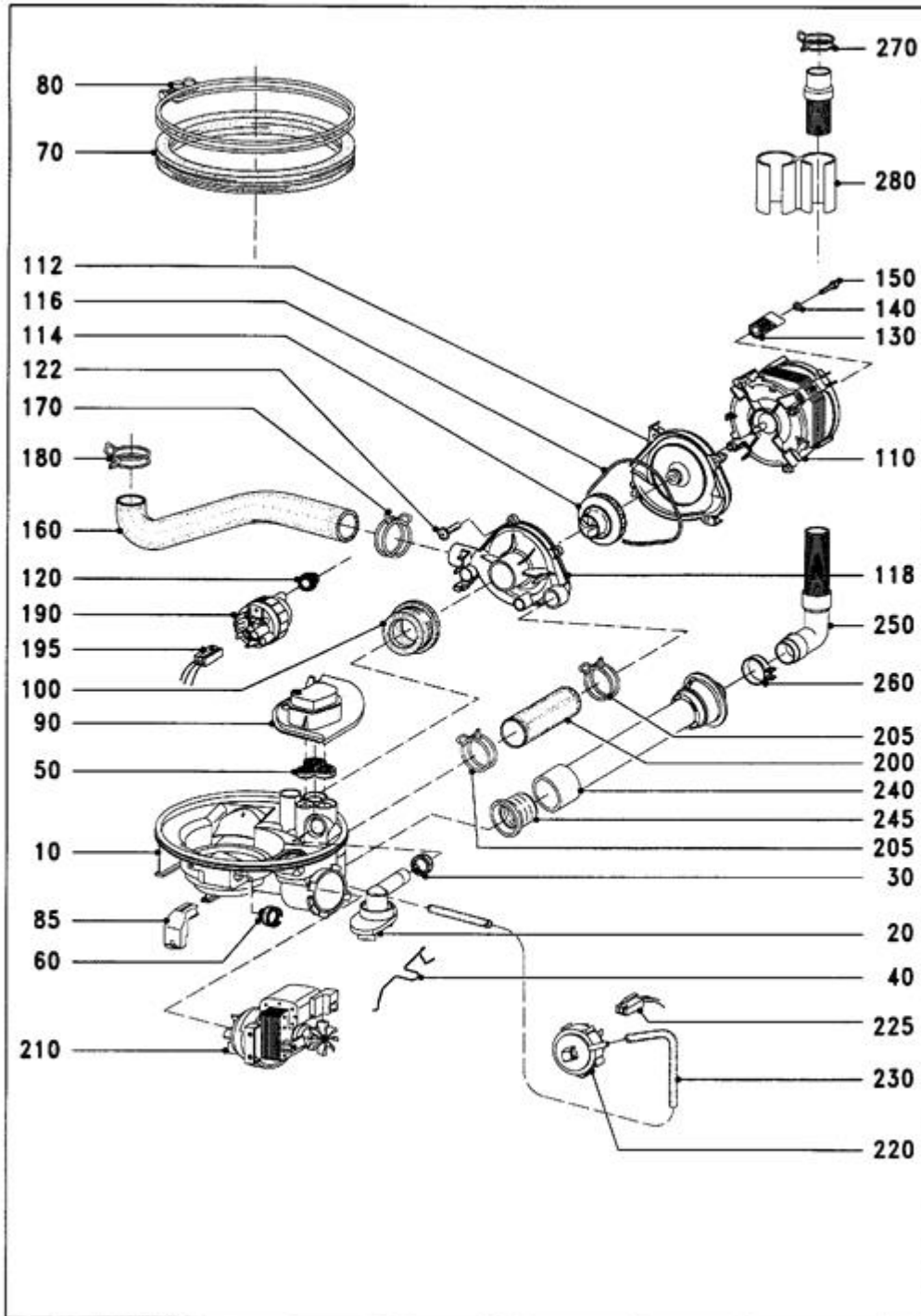
4291310-090

100 LEAK PROTECTION DEVICE, WATER-SOFTENER



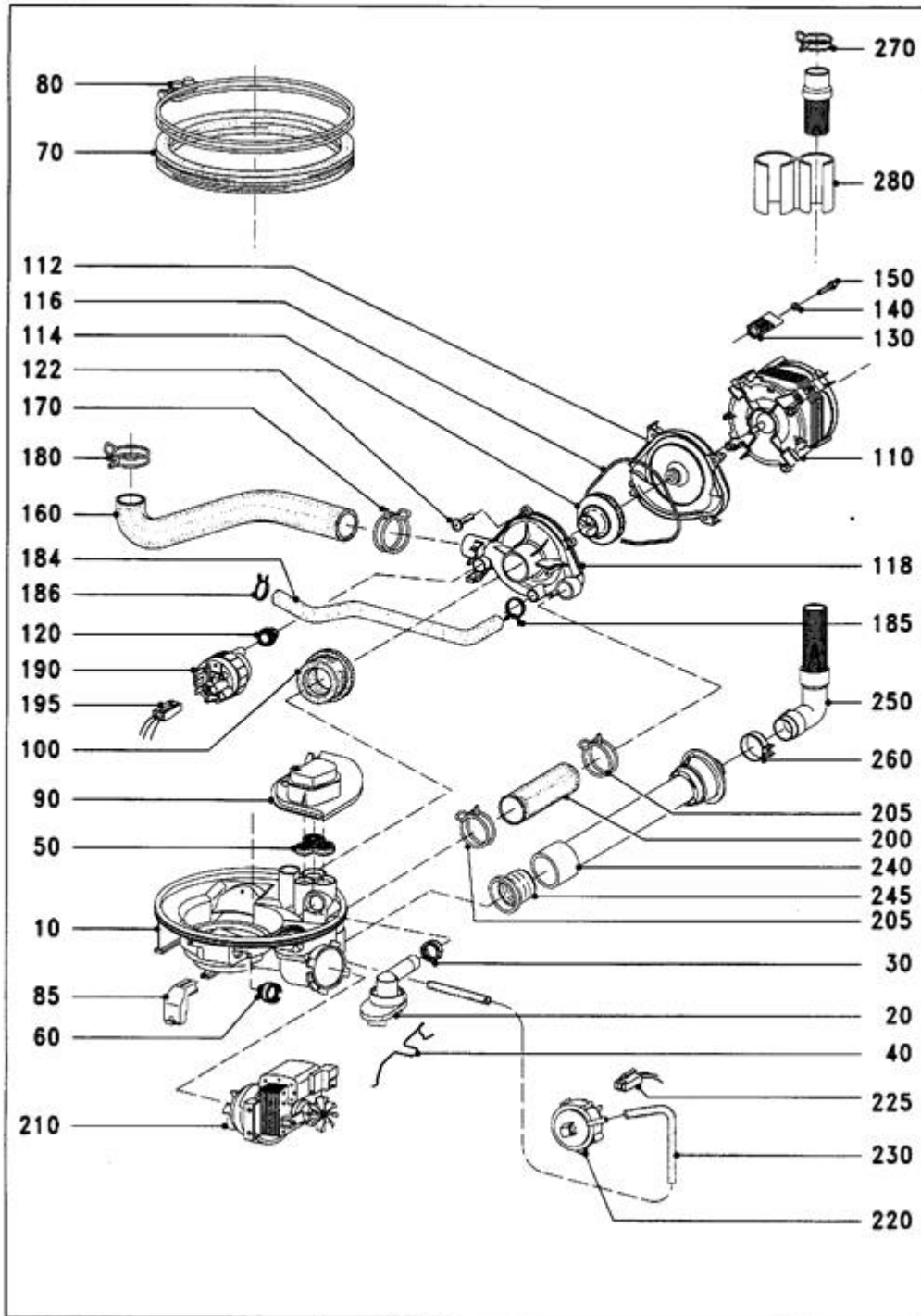
4291310-100

110 PUMPS,SUMP,CONNECTING HOSES,ELECTRICAL PARTS



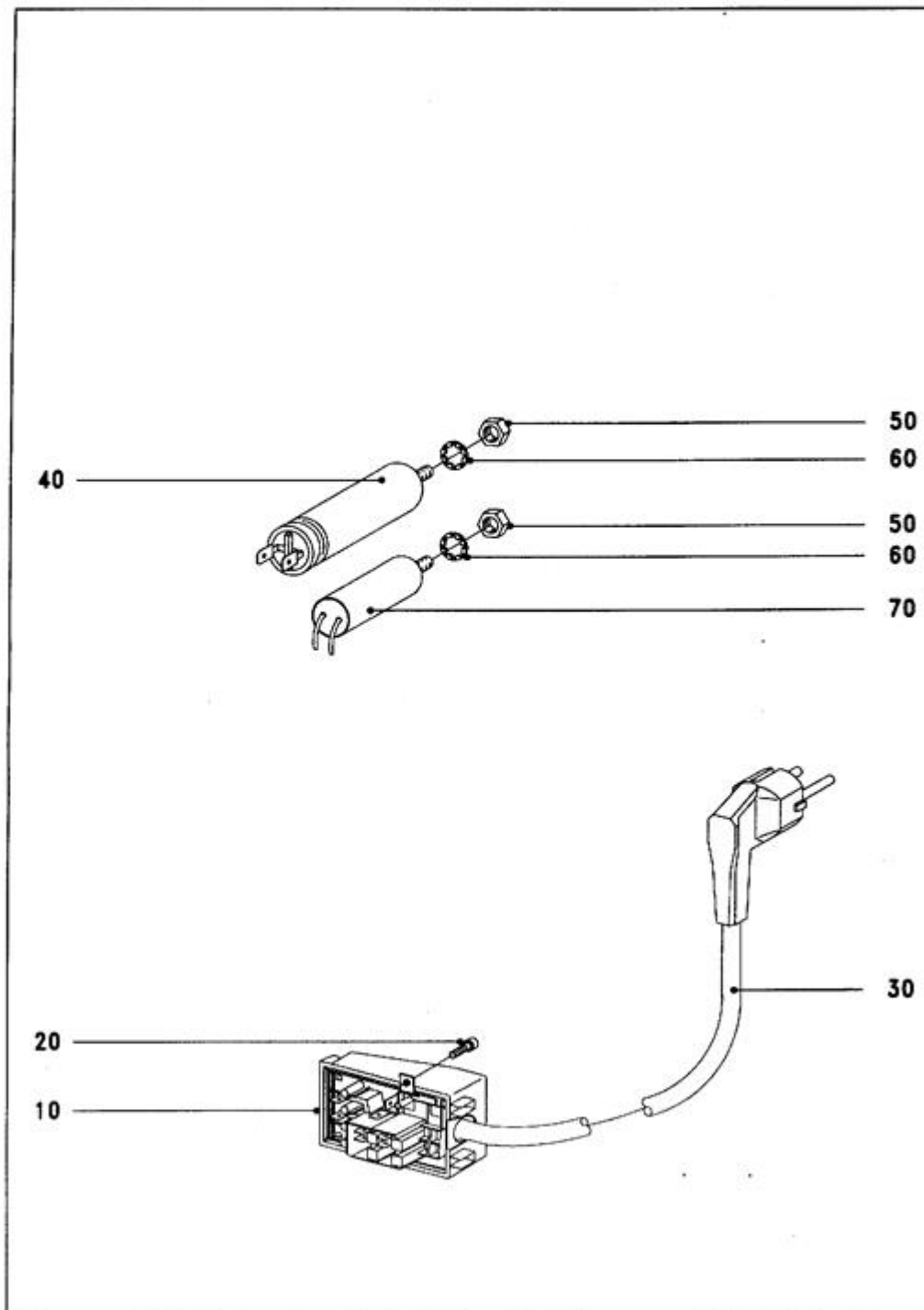
4111240-110

112 PUMPS,SUMP,ELECTRICAL PARTS,FROM INDEX 19



4441730-112

120 ELECTRICAL CONNECTION, CABLE



4111240-120